

Ceiling unit
Cloud 110 cm
White

EAN 5414425002306



Functions & features

| | |
|--|----------------|
| ▪ Control method | Remote control |
| ▪ Number of speeds | 4 |
| ▪ Motor | Integrated |
| ▪ Sound absorber | Integrated |
| ▪ Recirculation | Standard |
| ▪ InTouch function | Standard |
| ▪ Auto stop | ▪ |
| ▪ Delayed switch off (minutes) | 30 |
| ▪ Number of grease filters | 2 |
| ▪ Grease filter | 230020 |
| ▪ Grease filter cleaning indication | ▪ |
| ▪ Recirculation filter cleaning indication | ▪ |

Dimensions

| | |
|---|------------------|
| ▪ Product dimensions (WxDxH) (mm) | 1100 x 600 x 176 |
| ▪ Dimensions cut-out opening (WxD) (mm) | x |
| ▪ Advised mounting height induction hobs (Hmin-Hmax) (mm) | 600 - 1600 |
| ▪ Advised mounting height gas hobs (Hmin-Hmax) (mm) | 650 - 1600 |
| ▪ Advised mounting height ceramic hobs (Hmin-Hmax) (mm) | 600 - 1600 |
| ▪ Position exhaust | Right, Left |

Lighting

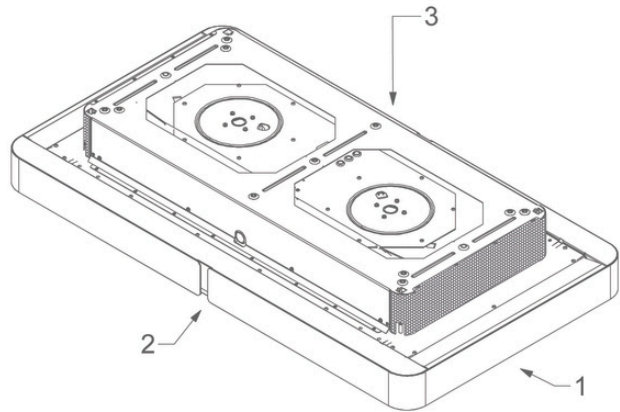
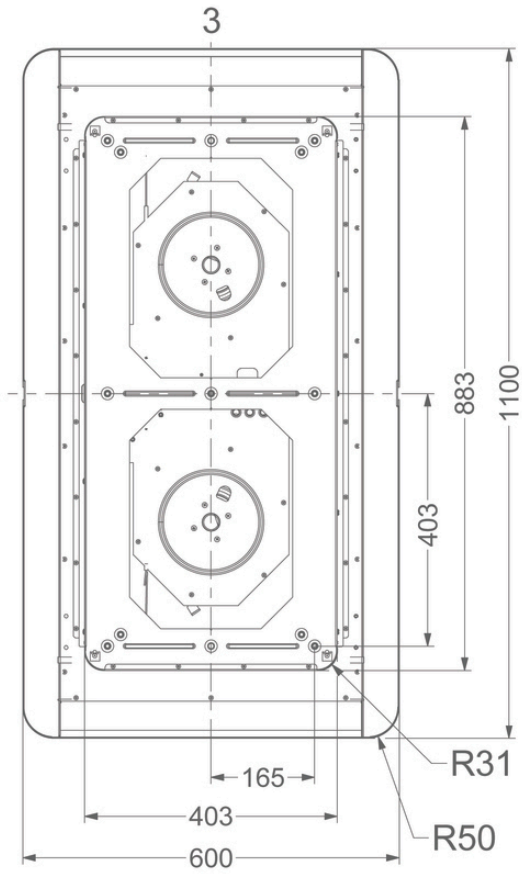
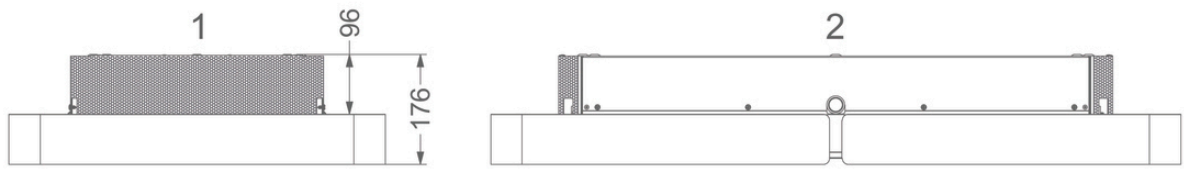
| | |
|---|-----------|
| ▪ Functional lighting type | Led |
| ▪ Ambient lighting type | Led |
| ▪ Total energy consumption functional light (W) | 31 |
| ▪ Total energy consumption ambient light (W) | 31 |
| ▪ Color functional light | 2700-5000 |
| ▪ Color ambient light | 2700-5000 |

Airflow and noise level

| | |
|--|---------|
| ▪ Airflow (m ³ /h) measured according to EN 61591 | |
| ▪ Sound regulation according to EN 60704-2-13 | |
| ▪ Airflow speed 1 (m ³ /h) | 250 |
| ▪ Airflow speed 2 (m ³ /h) | 362 |
| ▪ Airflow speed 3 (m ³ /h) | 437 |
| ▪ Airflow speed 4 (m ³ /h) | 525 |
| ▪ Sound pressure speed 1 (dB(A)) / Sound power speed 1 (dB(A)) | 36 / 48 |
| ▪ Sound pressure speed 2 (dB(A)) / Sound power speed 2 (dB(A)) | 43 / 55 |
| ▪ Sound pressure speed 3 (dB(A)) / Sound power speed 3 (dB(A)) | 48 / 60 |
| ▪ Sound pressure speed 4 (dB(A)) / Sound power speed 4 (dB(A)) | 53 / 65 |

Technical specifications

| | |
|---|---------|
| ▪ Maximum power | 172 |
| ▪ Voltage (V) | 220-230 |
| ▪ Frequency (Hz) | 50 |
| ▪ Power consumption in off-mode (Po) (W) | 0,00 |
| ▪ Power consumption in stand-by-mode (Ps) (W) | 1,0 |
| ▪ Net weight (kg) | 40 |



Installation accessories

Additional accessories

- 230500

mounting frame black ceiling unit Cloud

