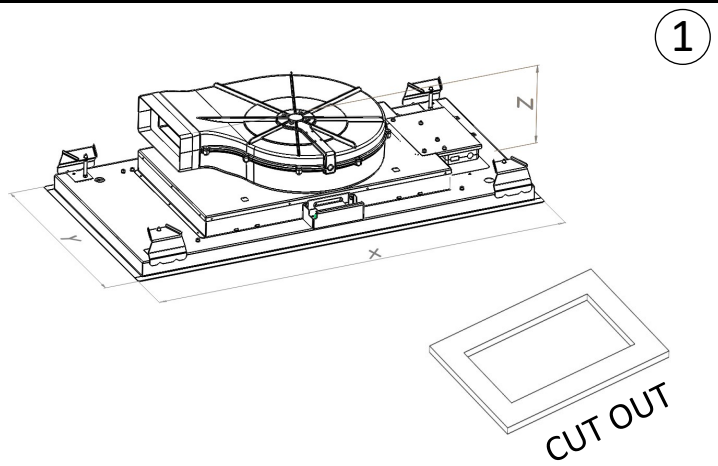




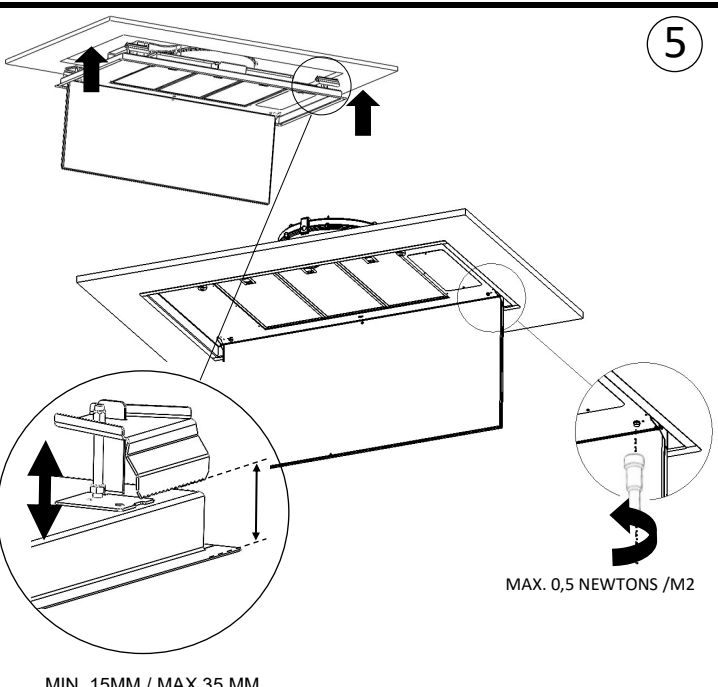
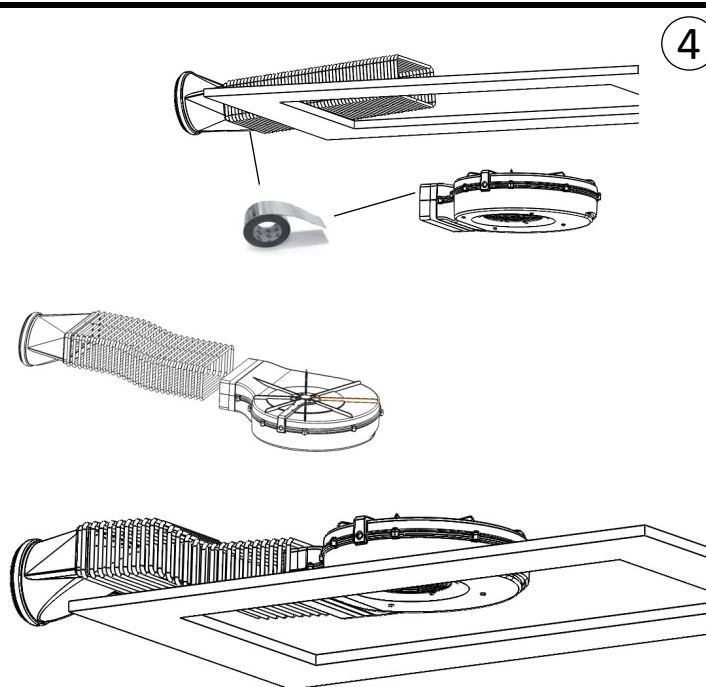
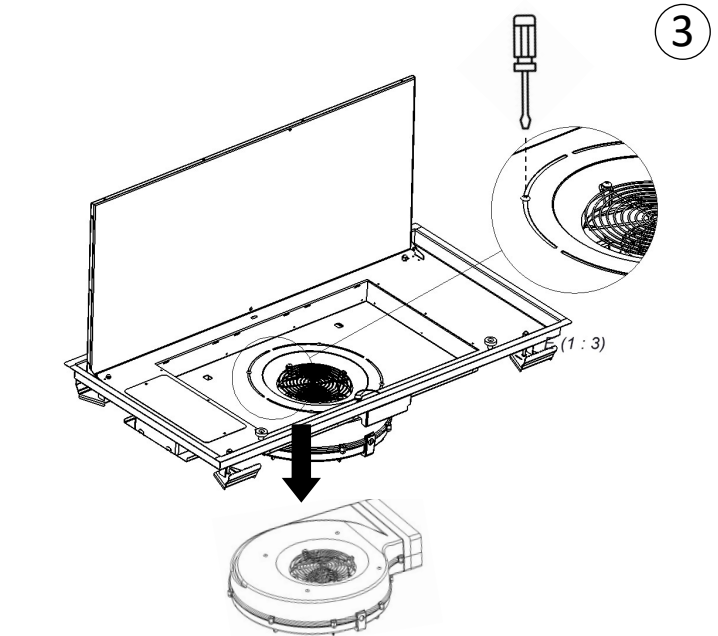
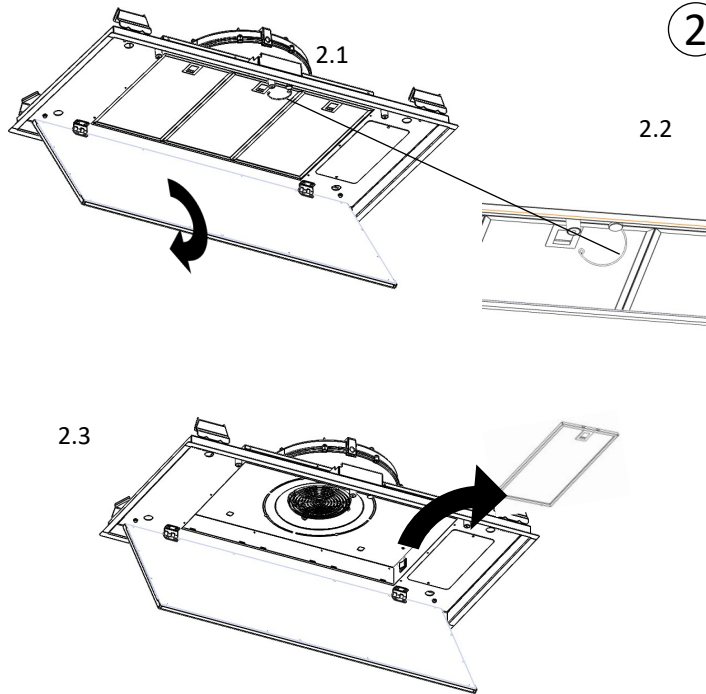
## BRIGHT 360

DON'T INSTALL DIRECTLY INTO DRYWALL



	X (mm)	Y (mm)	Z (mm)	CUT OUT (mm)	PESO (Kg)
BRIGHT 360	1000	500	195	970 x 475	30

FALSE CEILING REINFORCED TO SUPPORT MIN 30kg



MIN. 15MM / MAX 35 MM

