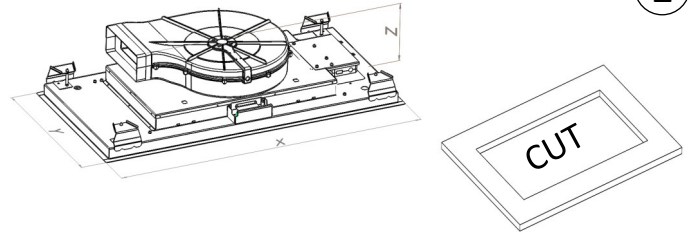




# SENSE 360 1010

DON'T INSTALL DIRECTLY INTO DRYWALL

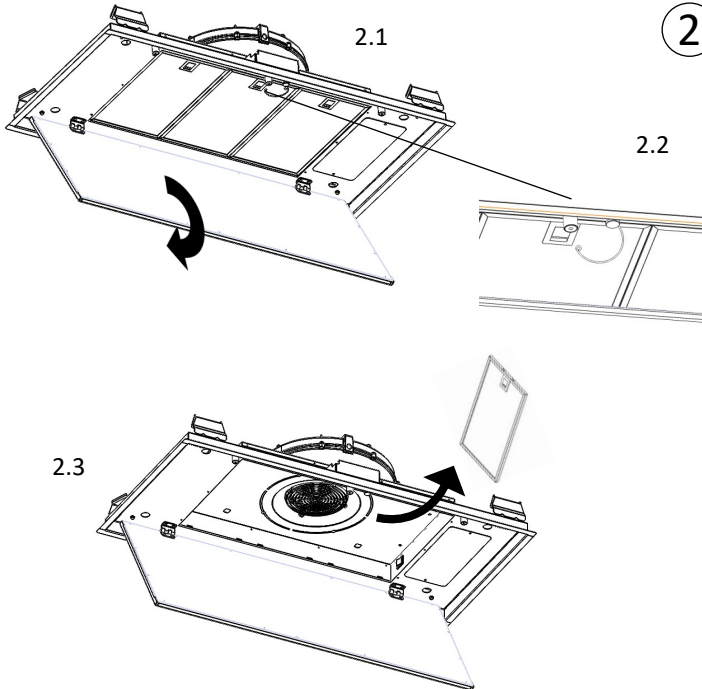
1



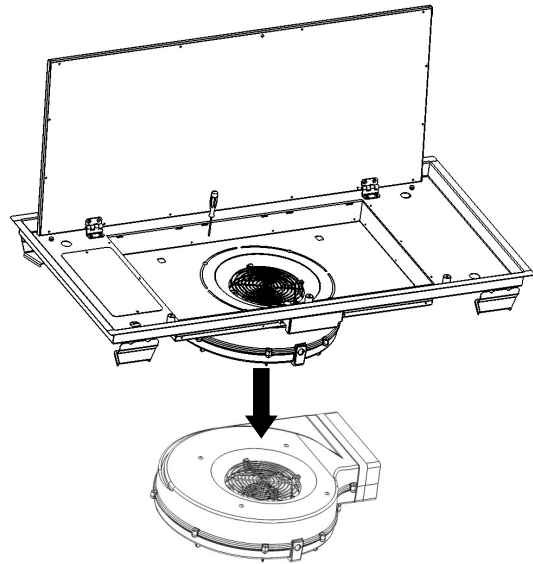
FALSE CEILING REINFORCED TO SUPPORT MIN 30kg

	X (mm)	Y (mm)	Z (mm)	CUT OUT (mm)	WEIGHT (Kg)
SENSE 360 1010	1010	510	195	980 x 480	30

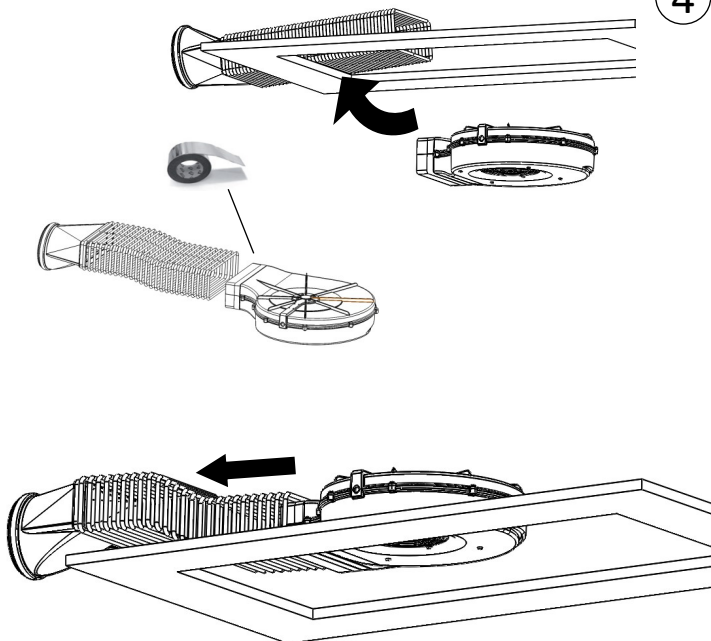
2



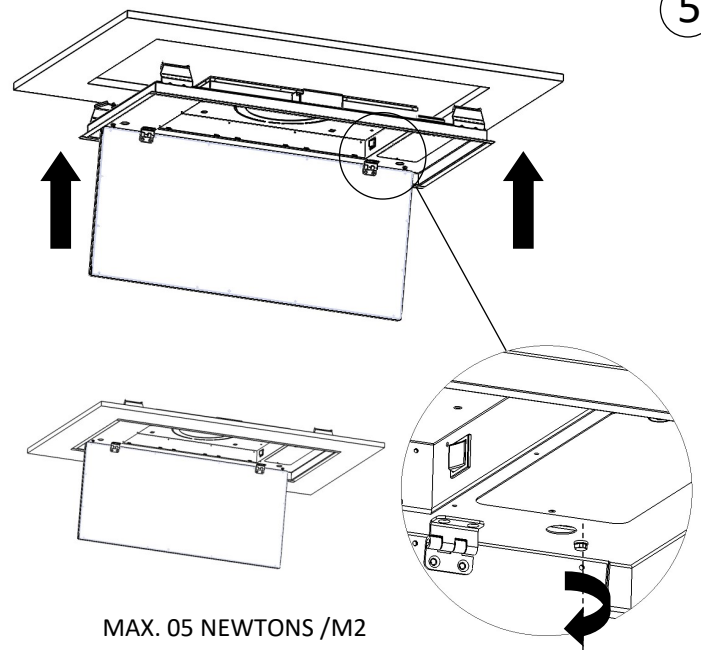
3



4



5



MAX. 05 NEWTONS /M2

