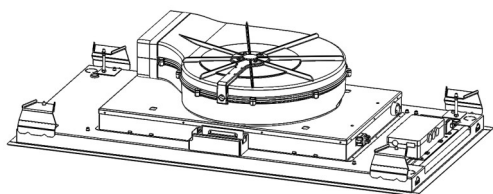


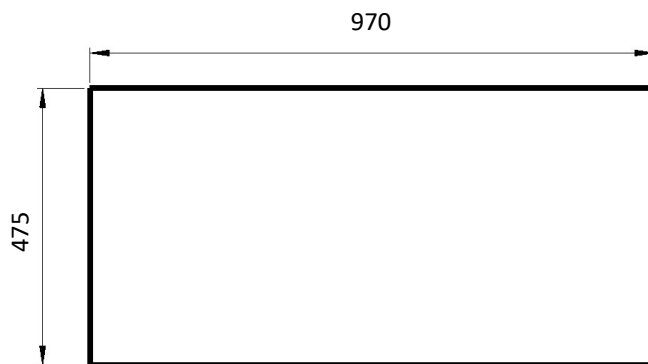


# NITRO 360° 1000



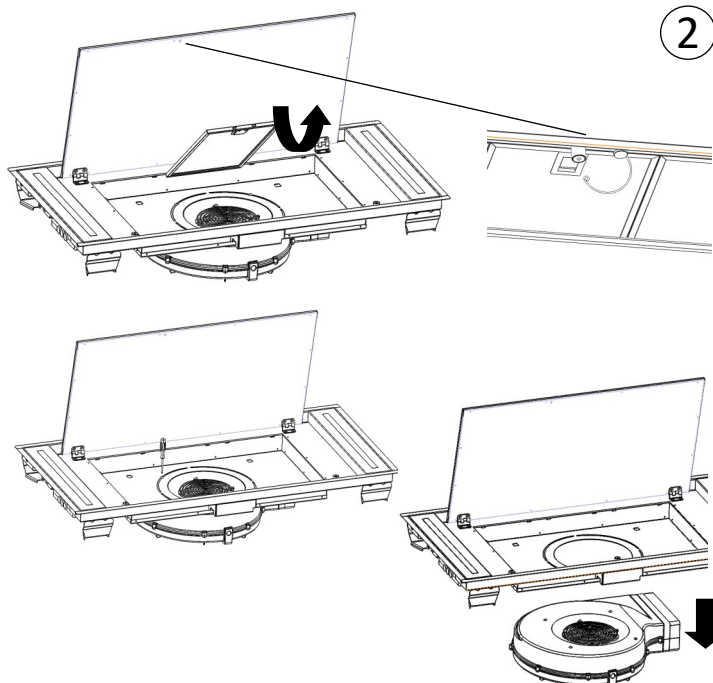
1

DON'T INSTALL DIRECTLY INTO DRYWALL

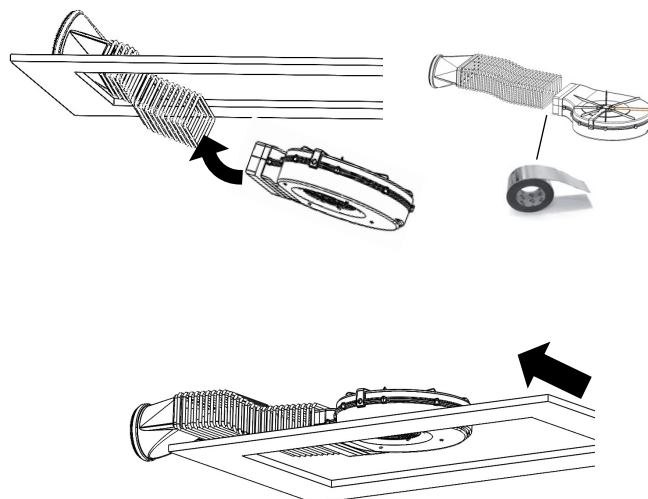


FALSE CEILING REINFORCED TO SUPPORT MIN 35 KG

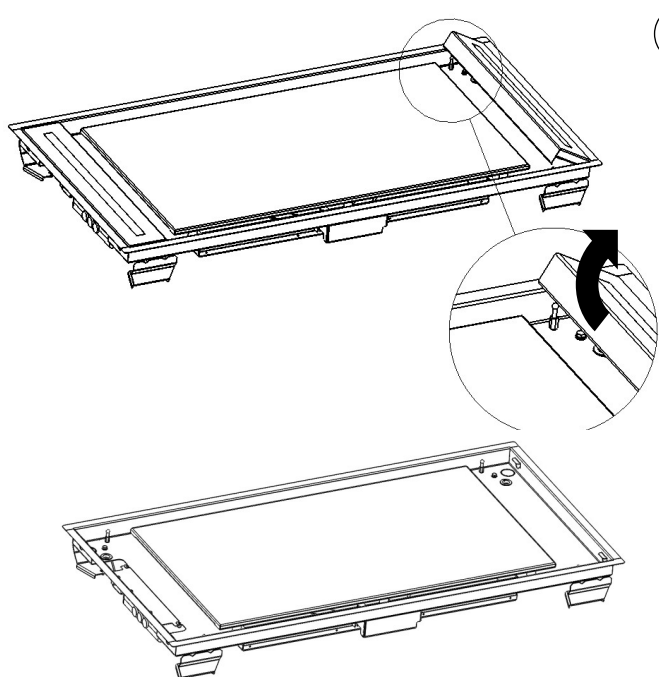
2



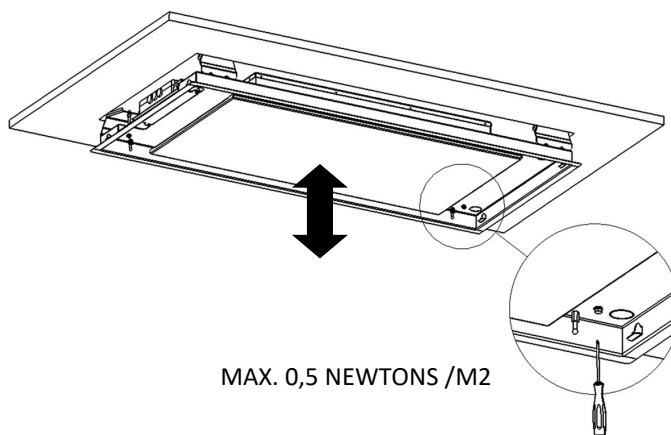
3



4

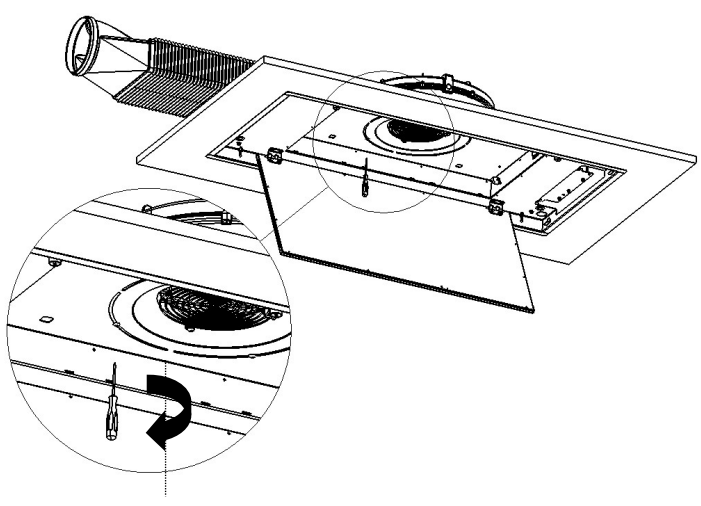


5

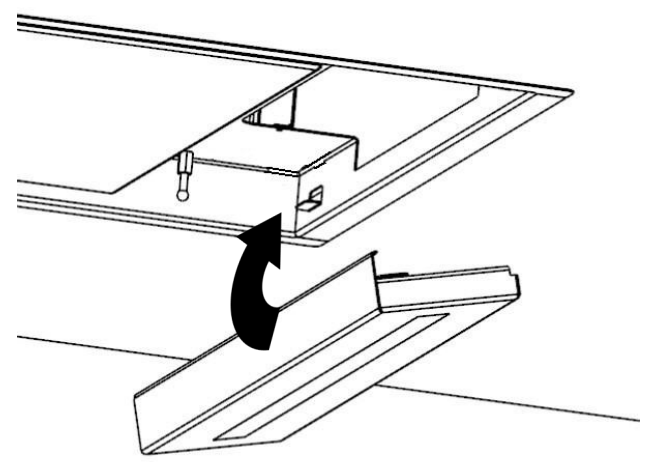


MAX. 0,5 NEWTONS /M2

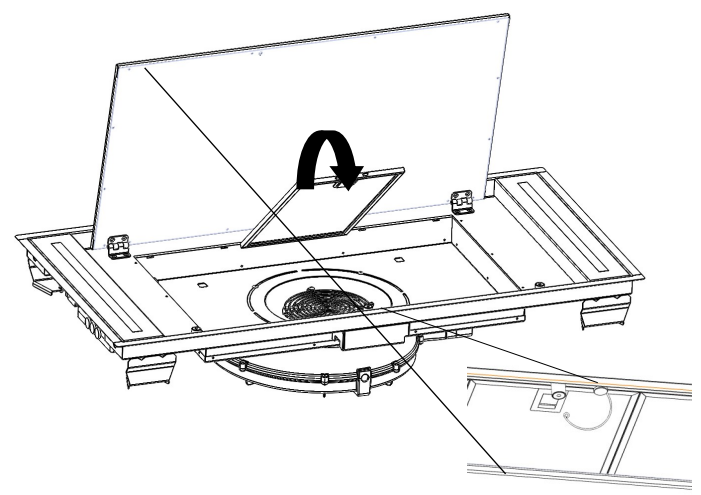
6



7



8



9

