



---

## **SIGMA**

**600mm BLACK REF: 275830**  
**600mm WHITEK REF: 275840**  
**800mm BLACK REF: 275850**  
**800mm WHITEK REF: 275860**

**Congratulations on purchasing your  
new Miro extractor!**

**Register your 2 years parts and labour  
warranty now:**

**[www.miroproducts.co.uk/register-warranty/](http://www.miroproducts.co.uk/register-warranty/)**

**or**

**scan the QR code below**



**Miro Products Limited  
Unit 9, Evolve@Vision Park  
Whittle Way  
Burnley, Lancashire  
BB12 0AW  
01282 450238**

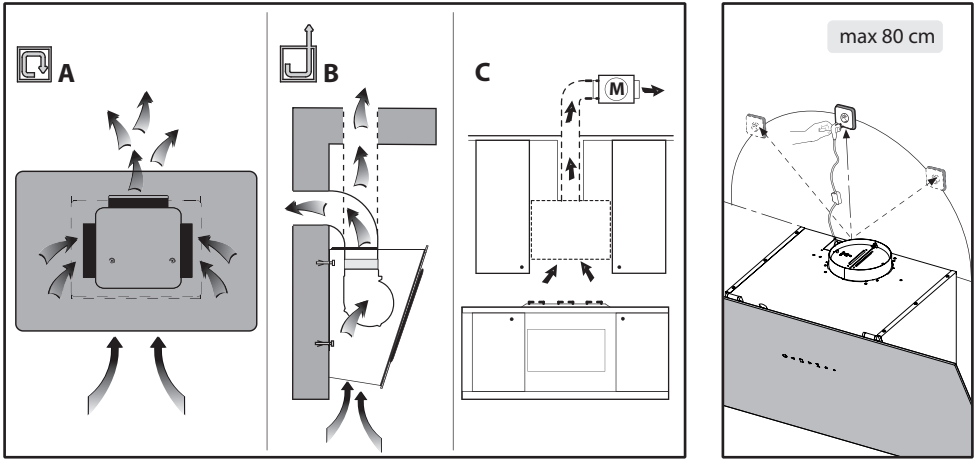


Fig.1

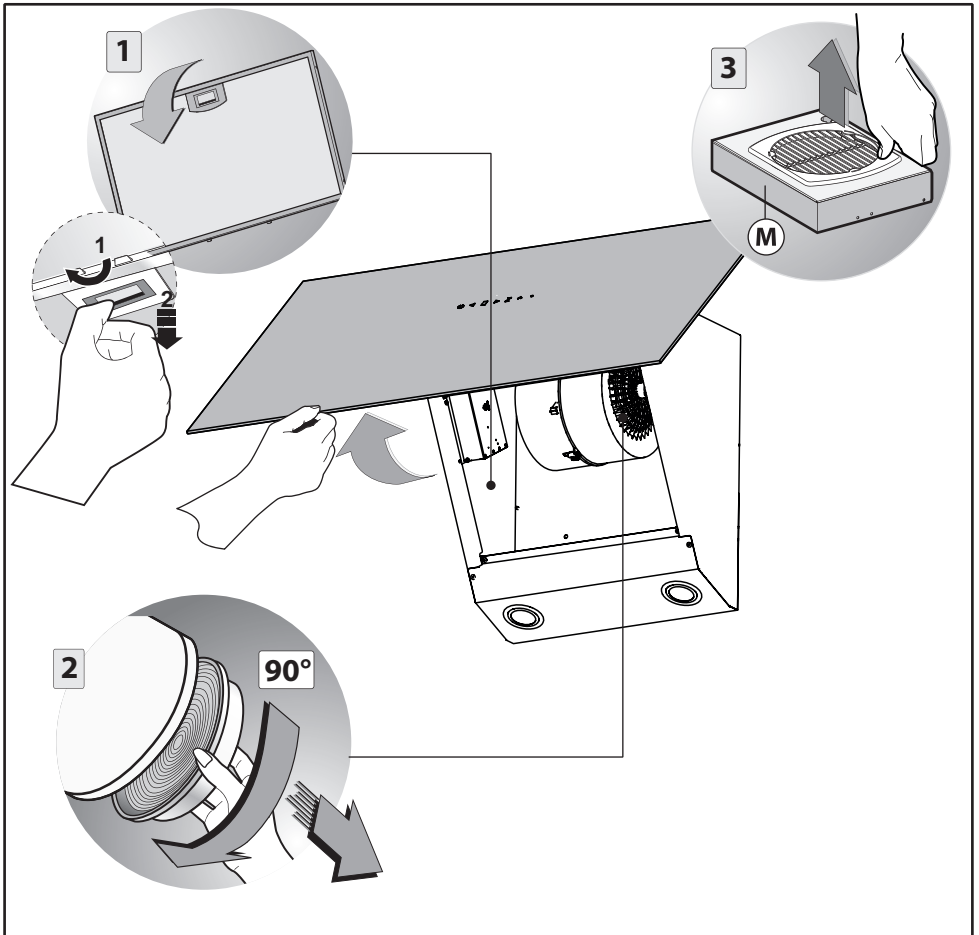
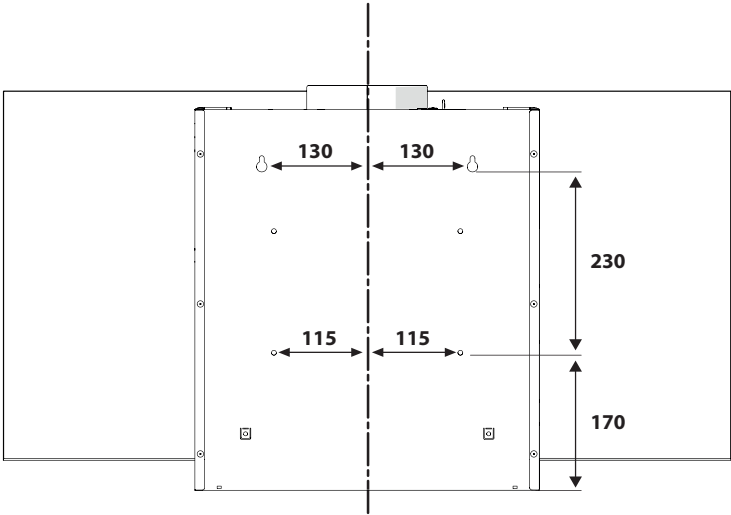
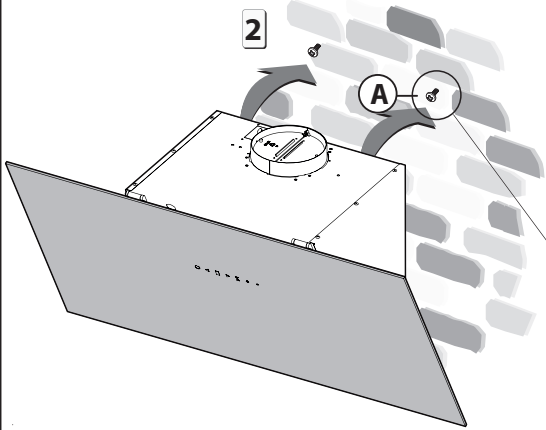
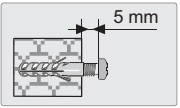


Fig.2

1



2



3

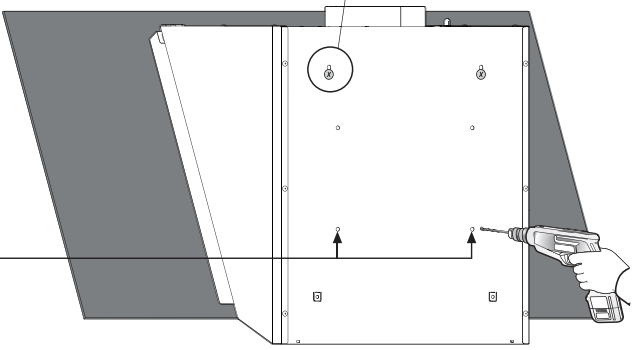
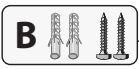
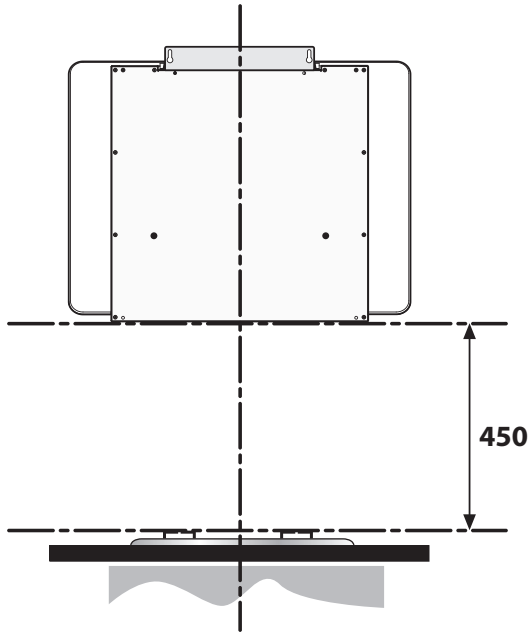
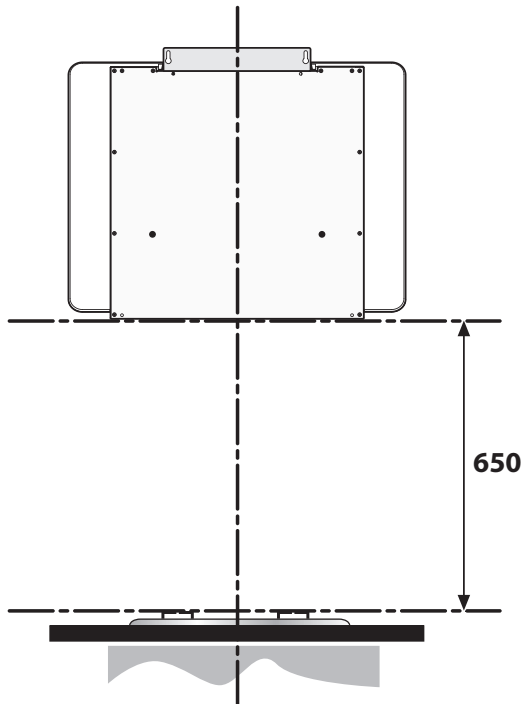


Fig.3

**A****B****Fig.4**

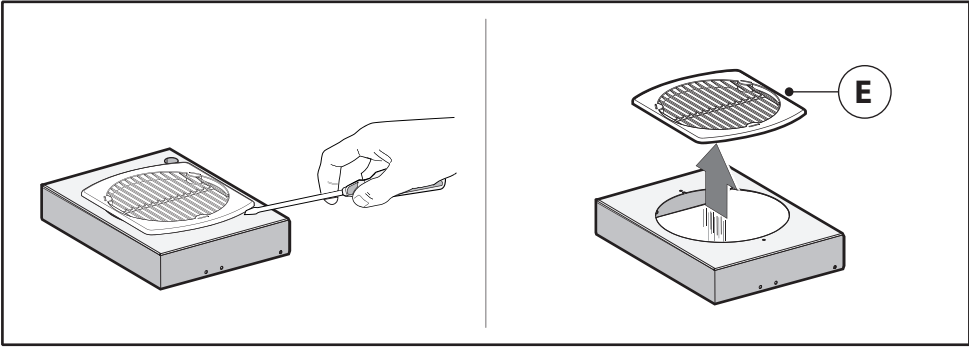


Fig.5

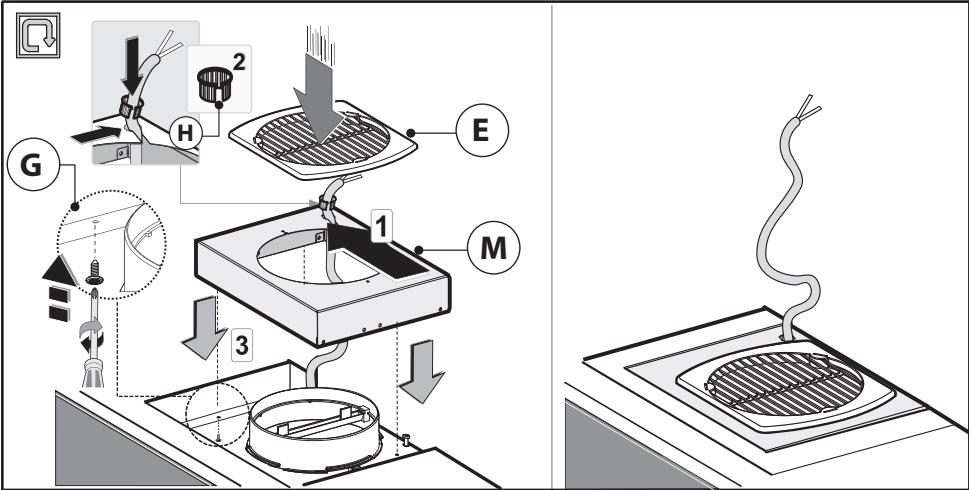


Fig.6

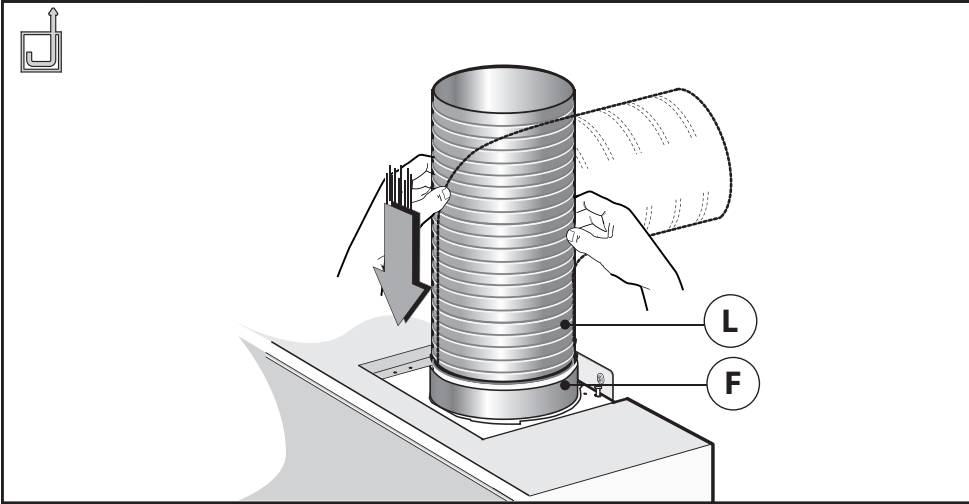


Fig.7

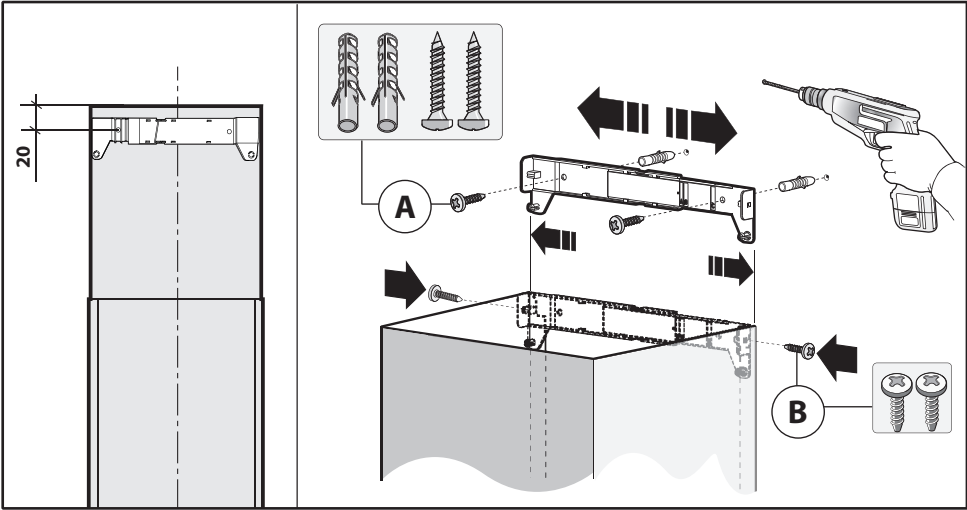


Fig.8

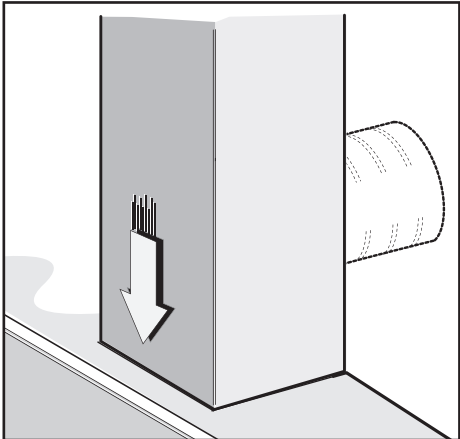


Fig.9A

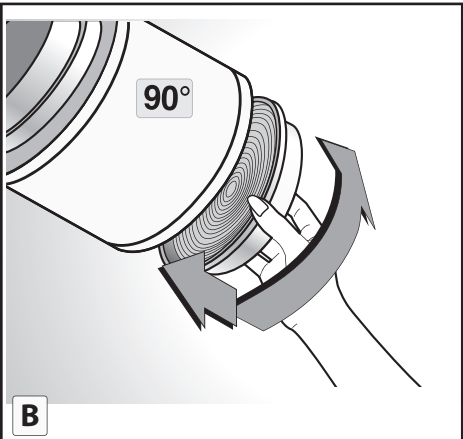


Fig.10

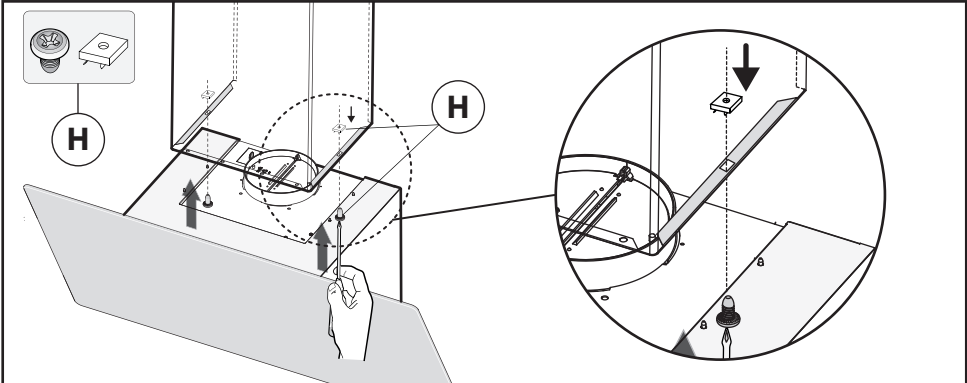
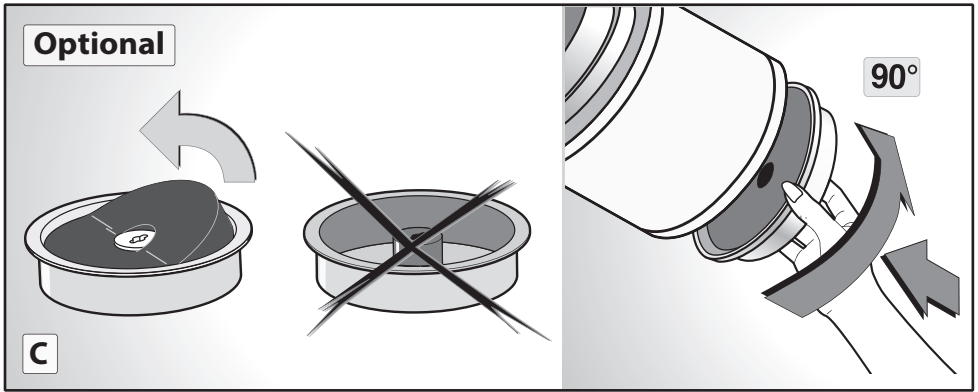
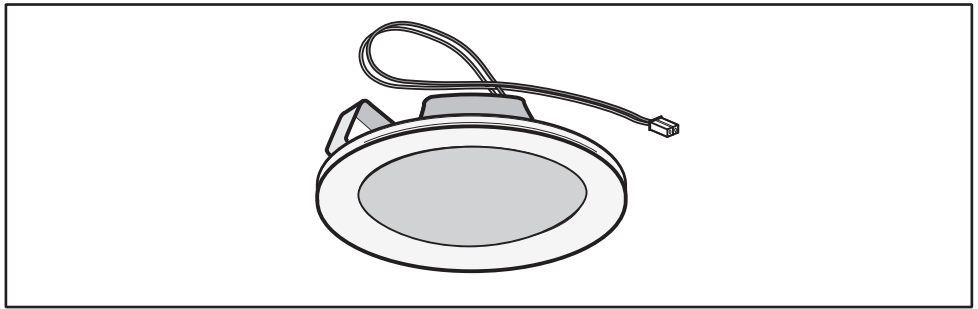


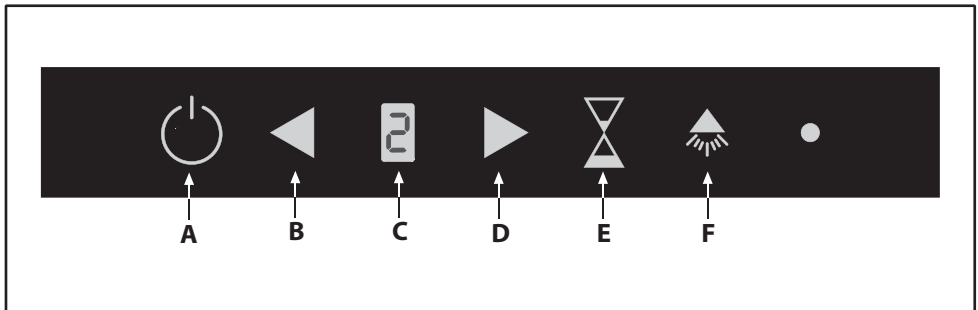
Fig.9B



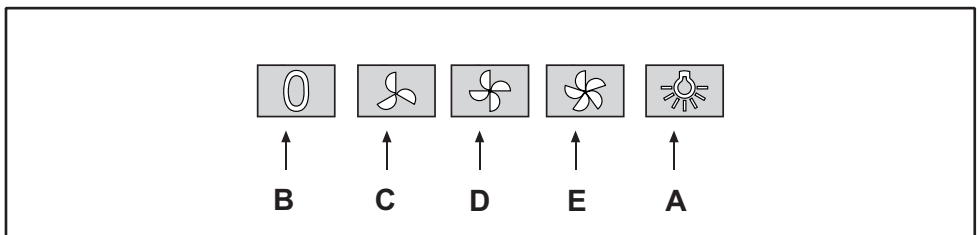
**Fig.10**



**Fig.11**



**Fig.12**



**Fig.13**

**GENERAL**

Carefully read the following important information regarding installation safety and maintenance. Keep this information booklet accessible for further consultations. The appliance has been designed for use in the ducting version (air exhaust to the outside - Fig.1B), filtering version (air circulation on the inside - Fig.1A) or with external motor (Fig.1C).

**SAFETY PRECAUTION**

**1.** Take care when the cooker hood is operating simultaneously with an open fireplace or burner that depend on the air in the environment and are supplied by other than electrical energy, as the cooker hood removes the air from the environment which a burner or fireplace need for combustion. The negative pressure in the environment must not exceed 4Pa (4x10<sup>-5</sup> bar). Provide adequate ventilation in the environment for a safe operation of the cooker hood. Follow the local laws applicable for external air evacuation.

**Before connecting the model to the electricity network:**

-Control the data plate (positioned inside the appliance) to ascertain that the voltage and power correspond to the network and the socket is suitable. If in doubt ask a qualified electrician.  
-If the power supply cable is damaged, it must be replaced with another cable or a special assembly, which may be obtained direct from the manufacturer or from the Technical Assistance Centre.

**2. Warning!**

**In certain circumstances electrical appliances may be a danger hazard.**

**A) Do not check the status of**

**the filters while the cooker hood is operating.**

**B) Do not touch bulbs or adjacent areas, during or straight after prolonged use of the lighting installation.**

**C) Flambè cooking is prohibited underneath the cooker hood.**

**D) Avoid free flame, as it is damaging for the filters and a fire hazard.**

**E) Constantly check food frying to avoid that the overheated oil may become a fire hazard.**

**F) Disconnect the electrical plug prior to any maintenance.**

**G) This appliance can be used by children aged from 8 years and above and persons with reduced physical, sensory or mental capabilities or lack of experience and knowledge if they have been given supervision or instruction concerning use of the appliance in a safe way and understand the hazards involved. Children shall not play with the appliance. Cleaning and user maintenance shall not be made by children without supervision.**

**H) Young children should be supervised to ensure they do not play with the appliance.**

**I) There shall be adequate ventilation of the room when the rangehood is used at the same time as appliances burning gas or other fuels.**

**L) There is a risk of fire if cleaning is not carried out in accordance with the instructions.**


**INSTALLATION INSTRUCTIONS**


- Assembly and electrical connections must be carried out by specialised personnel.

# • Wear protective gloves before proceeding with the installation.

## • Electric Connection:

Note! Verify the data label placed inside the appliance:

- If the symbol  appears on the plate, it means that no earth connection must be made on the appliance, therefore follow the instructions concerning insulation class II.

- If the symbol  DOES NOT appear on the plate, follow the instructions concerning insulation class I.

## Insulation class II

- The appliance has been manufactured as a class II, therefore no earth cable is necessary. The plug must be easily accessible after the installation of the appliance. If the appliance is equipped with power cord without plug, a suitably dimensioned omnipolar switch with 3 mm minimum opening between contacts must be fitted between the appliance and the electricity supply in compliance with the load and current regulations.

- The connection to the mains is carried out as follows:

BROWN = L line

BLUE = N neutral.

## Insulation class I


This is a class I, appliance and must therefore be connected to an efficient earthing system.

- The appliance must be connected to the electricity supply as follows:

BROWN = L line

BLUE = N neutral

YELLOW/GREEN =  earth.

The neutral wire must be connected to the terminal with the N symbol while the YELLOW/GREEN, wire must be connected to the terminal by the earth symbol .

When connecting the appliance to the electricity supply, make sure that the mains socket has an earth connection. After fitting the ducted cooker hood, make sure that the electrical plug is in a position where it can be accessed easily. If the appliance is connected directly to the electricity supply, an omnipolar switch with a minimum contact opening of 3 mm must be placed in between the two; its size must be suitable for the load required and it must comply with current legislation.

• If the hob is electric, gas, or induction, the minimum distance between the same and the lower part of the hood must be at least **45 cm (FIG.4A)**. If a connection tube composed of two parts is used, the upper part must be placed outside the lower part. Do not connect the cooker hood exhaust to the same conductor used to circulate hot air or for evacuating fumes from other appliances generated by other than an electrical source.

- In the case of assembly of the appliance in the suction version prepare the hole for evacuation of the air.

**ATTENTION!** If your appliance has a configuration with a mechanical control panel (FIG.13) and is combined with a gas hob, the height of the installation **MUST** be **65 cm (FIG.4B)**.

• We recommend the use of an air exhaust tube which has the same diameter as the air exhaust outlet hole. If a pipe with a smaller diameter is used, the efficiency of the product may be reduced and its operation may become noisier.

## Attention!

• Before proceeding with the installation, to be able to move the

hood more easily, complete the following operations:

**1.** Remove the **anti-grease filter** by pulling the handle, as shown in figure 2 - phase 1.

**2.** If the product is equipped with activated charcoal **filters (B-C)**, remove them as shown in figure 2 - phase 2.

**3.** Unhook the small **cupola M** as shown in figure 2 - phase 3.

## • Fixing to the wall (Fig.3):

Before fixing the appliance to the wall, drill the 4 holes and insert the screws **A (FIG.3)** without screwing them in completely, taking into account the minimum distance from the hob.

- Position the appliance on the wall and fix it definitively by pulling the 2 safety screws **B** figure 3 - step 3, and tighten the 2 screws **A** figure 3 - step 2.

- When carrying out the fixing operations, use only screws and screw anchors suited to the type of wall (e.g. reinforced concrete, plasterboard etc.).

- If the screws and screw anchors are supplied with the appliance, make sure that they are suited to the type of wall to which the hood must be fixed.

## - Filtering version

- Unhook the small cupola **M** and remove the grille **E (Fig. 5)**.

- Pass the power supply cable through the slots of the small cupola **M** as shown in Fig. 6.

- Take the fairlead **H** and position it between the power supply cable and the slot.

- Fasten the small cupola **M** and the grille **E** making sure that it is perfectly hooked on to the fastening pins **G (Fig. 6)**.

The filters must be applied to the suction unit positioned inside the hood. They must be centred by turning them 90 degrees until the stop catch is tripped (Fig.10B).

## • Optional accessories

This model may have decorative ducts as optional accessories - ask your retailer for information.

## • Installation of models with decorative ducts - extractor hood

Make sure the electrical power supply is within the measurements of the decorative connector.

Connect flange **F** to the air exhaust hole using flexible hose **L (Fig.7)**.

Adjust the width of the support bracket of the top connector (Fig. 8). Then fix it to the ceiling so that it is on the same axis as the hood using screws **A** and observing the distance from the ceiling shown in (Fig. 8). Slide the top connector inside the lower duct and place this on the body (Fig. 9).

- Fasten the lower decorative chimney to the hood using the screws and nuts supplied **H (Fig.9B)**.

Pull out the top duct as far as the bracket and secure it using screws **B (Fig. 8)**.

To transform the hood from a ducting version into a filtering version, ask your dealer for the charcoal filters and follow the installation instructions.

## • Filter hood:

### Please note:

- In order to transform the hood from **EXTRACTOR HOOD** into **FILTER HOOD** the active carbon filters must be ordered at your distributor as accessory.

We have 3 different types of Kit, one with non-regenerable active carbon filters (Fig.10B) and the other one with regenerable active charcoal filters (washable) (Fig.10C).

- Depending on the model one owns, the **CIRCULAR** active carbon filters must be applied to the suction unit located inside the hood, centring them and rotating them by 90

degrees until they snap into place (Fig.10B), to replace them perform the operation in reverse order.

- For the **WASHABLE CIRCULAR** regenerable active carbon filters (**Fig.10C**), remove the pad and follow the instructions in the USE AND MAINTENANCE paragraph, "regenerable active carbon filters".

## USE AND MAINTENANCE

• We recommend that the cooker hood is switched on before any food is cooked. We also recommend that the appliance is left running for 15 minutes after the food is cooked, in order to thoroughly eliminate all contaminated air. The effective performance of the cooker hood depends on constant maintenance; the anti-grease filter and the active carbon filter both require special attention.

• **The anti-grease filter** is responsible retaining the grease particles suspended in the air, therefore it is subject to clogging with variable frequency according to the use of the appliance.

- To prevent the danger of possible fires, at least every 2 months one must wash the anti-grease filters by hand using non-abrasive neutral liquid detergents or in the dishwasher at low temperatures and on short cycles.

- After a few washes, colour alterations may occur. This does not give the right to claim their replacement.

• **The active carbon filters** are used to purify the air that is sent back into the room and its function is to mitigate the unpleasant odours produced by cooking.

- The non-regenerable active carbon filters must be replaced at least every 4 months. The saturation of the active charcoal depends on the more or less prolonged use of the appliance, on the type of kitchen and on the frequency with which anti-grease filter is cleaned.

- Regenerable active charcoal filters must be washed by hand, with non abrasive neutral detergents, or in the dishwasher at a maximum temperature of 65°C (the washing cycle must be complete without dishware). Remove excess water without damaging the filter, remove the plastic parts, and let the mat dry in the oven for at least 15 minutes approximately at a maximum temperature of 100°C. To keep the regenerable charcoal filter functioning efficient this operation must be repeated every 2 months. These must be replaced at least every 3 years or when the mat is damaged.

• **Before remounting the anti-grease filters and the regenerable active charcoal filters it is important that they are completely dry.**

• **Clean the hood frequently, both internally and externally, using a cloth dampened with denatured alcohol or neutral liquid detergents that are non abrasive.**

• The lighting system is designed for use during cooking and not for the prolonged general lighting of the room. The prolonged use of the lighting system significantly decreases the average duration of the bulbs.

• If the appliance is equipped with courtesy lights it is possible to use them for general room lighting for a prolonged amount of time.

• **Attention:** the non compliance with the hood cleaning warnings and with the replacement and cleaning of the filters entails risk of fires. One therefore recommends keeping to the suggested instructions.

• **Replacing LED lamps (Fig.11):**

If the appliance version is with LED lamps, the intervention of a specialised technician is necessary to replace them.

• **Commands (Fig.12):**

**NOTE:** with this command it is also possible to control the ap-

pliance using a remote control, to be requested as an accessory.  
**A Button** = Switches the hood on/off. The equipment switches on at the 1st speed.

**B Button** = Decreases motor speed.

**C Display** = Shows the selected motor speed and timer activation/intense speed/filter warning.

**D Button** = Increases motor speed.

Pressing the 4th speed button engages the intense function for 6 minutes, then the equipment goes back to working at the speed at which it was activated. During this function, the number 4 flashes on the display.

-If you wish to deactivate the function before the 6 minutes, press the **B** button.

**Attention!** Some models only work up to the 3rd speed and, therefore, do not have the intense function.

**E Button** = Pressing this button activates the Timer function even with any of the 1-2-3 speeds engaged (except the Intense function speed). When the Timer function is active, the set speed must flash on the display when the timer is activated. After 15 minutes, at the end of the countdown, the hood switches off (motor and any lights remain on).

If the intense speed is engaged, the Timer cannot be activated.  
-If you wish to deactivate the function before the 15 minutes, press the **E** button.

**F Button** = Switches the lights on/off.

• **Anti-grease/active charcoal filters saturation:**

-After **30 h** of operation, when the **C** display flashes, alternating the working speed with the letter **F** (i.e. **2** and **F**), this means that you need to wash the anti **grease filters**.

-After **120 h** of operation, when the **C** display flashes, alternating the working speed with the letters **C/F** (i.e. **2** and **C/F**), this means that you need to wash or replace the **charcoal filters**.  
-Once you have repositioned the clean filter, you need to reset the electronic memory with the hood on, pressing the **B** button for about **3 seconds**.

After that time, the letter **E** appears on the display (reset confirmed) and the hood switches off.

• **Commands (Fig.13) mechanical** the key symbols are explained below:

**A** = LIGHT

**B** = OFF

**C** = SPEED I

**D** = SPEED II

**E** = SPEED III.

**THE MANUFACTURER DECLINES ALL RESPONSIBILITY FOR EVENTUAL DAMAGES CAUSED BY BREACHING THE ABOVE WARNINGS.**



**Miro Products Limited  
Unit 9, Evolve@Vision Park  
Whittle Way  
Burnley, Lancashire  
BB12 0AW  
01282 450238**