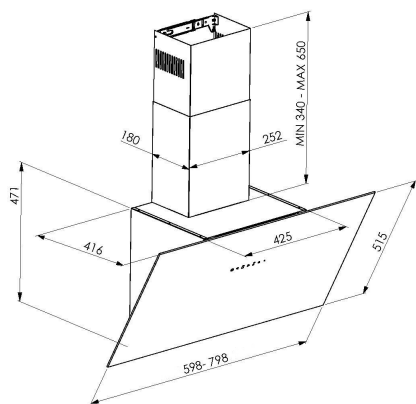


SIGMA



Performance

Speeds	1	2	3	INT
Extraction Capacity m ³ /h	329	461	631	777
Pressure	350	429	452	479
Acoustic Power dBA	43	49	57	62



Product Details & Features

Installation	Wall Mounted
Finish	Black or White Glass
Control	Touch Control
Lighting	2 x LED (3000K)
Grease Filter	Aluminium Filter
Available dimensions	600mm or 800mm
Air outlet	150 mm
Remote Control	Not Available

Optional Accessories: Extra 2 Years Warranty (Total 4 years) - XW001
 Charcoal Filters - 90801
 C600 Plasma Filter - 90372
 Airsoft 1 Silencer Duct - 90182

Options	Finish	Reference
600mm	Black	275830
600mm	White	275840
800mm	Black	275850
800mm	White	275860

Energy Efficiency: A