



ELYSIUM GLASS HOLDER



INSTALLATION, OPERATING AND MAINTENANCE GUIDE



**Congratulations on purchasing your new
Miro Elysium glass holder cookerhood.**

Register your warranty now:

www.miroproducts.co.uk/register-warranty/

I GENERAL	5
II WARNINGS.....	5
III INSTALLATION.....	5
III.1 Preliminary Indications	5
III.2 Fastening the hood to the ceiling.....	6
III.3 Electrical Connection	6
IV USE	6
V OPERATION.....	6
V.1 Operating the hood controls.....	7
V.2 Remote control operation	7
V.3 Adjustable Delayed Auto Power-Off Activation	8
V.4 Maintenance alerts.....	8
V.5 24-hour Comfort function.....	8
VI MAINTENANCE AND CLEANING.....	8
VI.1 Metal anti-grease filter	8
VI.2 Plasma anti-odour filter	9
VI.3 Hood Cleaning.....	9
VI.4 Lighting	9
VII DISCONTINUATION.....	9



220-240V 50Hz
220V 60Hz

I GENERAL

Exhausting cooker hood. The equipment is constructed under European Standards and with the requirements included in the following Directives: 2006/95EC (Low Voltage Directive), 2004/108 (Electromagnetic Compatibility).

The present instruction manual is an integral part of the appliance itself, therefore it must be carefully kept and ALWAYS accompany it, even in case of its assignment to another owner or user or in case the cooker hood is moved to another installation plant.

The Manufacturer strives for continuous improvements. For this reason, the text and illustrations in this guide may change without notice.

II WARNINGS

Make sure that the voltage (V) and frequency (Hz) indicated on the data plate inside the unit match those available at the installation site. Any eventual adjustment to the electrical system, which may be necessary to install the cooker hood, must be carried out only by competent people.

Any repair carried out by no competent people may cause damages.

For any repair or needed technical support refer to a Technical Assistance Centre, authorized to carry out the replacement of the spare parts. Always make sure that all the electrical parts (lights, exhaustion unit) are disconnected when the appliance is not in use. By storms take off the main switch of the house electrical system.

The use of the cooker hood must not be other than the use of exhausting units for cooking damp on domestic kitchens. The manufacturer does not accept any liability for damages caused by people, animals, or things, by installation and maintenance mistakes, or by any illegitimate use.

We remind that the use of products functioning with electrical energy implies the observance of some essential security rules, as follows:

- This equipment is not intended for people (children included) with reduced mental or motor capacities, with lack of experience or knowledge, unless they are supervised or unless a person responsible for their security, gives them instructions regarding the use of the equipment. Children must be supervised to be sure that they do not play with the equipment.
- Any cleaning action is forbidden if the appliance hasn't been disconnected from the main power supply and if the main switch of the house electrical system is not off. If cleaning is not carried out according to these instructions, a fire may break out.
- Do not pull, take off, or twist the cable coming out from the appliance, even though this has been disconnected from the main power supply.
- Do not sprinkle or throw any water directly on the appliance.
- Do not stick any sharp tool inside the exhausting holes and into the air discharge.
- Do not take out the filters to reach the internal sides of the appliance in case the main switch of the house electrical system is not off.
- Do not singe or flambé directly underneath the cooker hood. Take particular care when frying to ensure that the oil does not catch fire.
- It is forbidden to use the hood as a support surface unless it is expressly indicated.
- Only use the fixing screws supplied with the product for installation.



CAUTION: Accessible parts may become hot when used with cooking appliances.

III INSTALLATION

III.1 Preliminary Indications

Carefully read the guide before installation and use of the appliances.

The installation requires safety equipment and a range of tools as per Fig. 3.1.1.

With the hood correctly installed, the minimum distance between the wall unit and the support surface of the cooking containers in a gas hob must be at least 65 cm (Fig. 3.1.2).

If the mounting instructions of the gas hob indicate a wider distance, respect it.

With the hood correctly installed, the minimum distance between the wall unit and the induction hob must be at least 50 cm (Fig. 3.1.2).

It must not be superimposed on stoves with an upper radiating plate. Respect all the air discharge regulations.

The air must not be discharged in a pipe used to discharge exhaust fumes produced by gas-fed equipment or fuel-fed equipment. The room must be adequately ventilated when the hoods is used together with other gas or fuel types of equipment. The hood is equipped with all the necessary fastenings for its installation, which are suitable for most surfaces. Verify that the installation surface is strong.

Installation must be carried out by qualified installers according to present regulations.

III.2 Fastening the hood to the ceiling

The appliance (Fig. 3.2.1) consists of a cooker hood and anchor ropes, all fixings are supplied with the cooker hood. For the correct positioning of the suction part in relation to the hob, consider the overall dimensions given in Fig. 3.2.2. Proceed as follows to install the appliance:

Mounting the hood

- 1) Mark the ceiling and drill the 4 holes as shown in Fig. 3.2.3.
- 2) Secure the bushings with screws and dowels (Fig. 3.2.4-A).
- 3) Thread the wire rope onto the wire support (Fig. 3.2.4-B).
- 4) Screw the ceiling supports onto the bushings and close the grub screw (Fig. 3.2.5).
Insert the aesthetic covers (Fig. 3.2.6-A) and hang the hood by threading the ropes into the sliding supports (Fig. 3.2.6-B). In the inlet the rope slides freely, while in the outlet it is necessary to press the retaining ring in which the rope is inserted (Fig. 3.2.6-C).
- 5) Position the hood at the desired height (Fig. 3.2.7) adjusting the height of each rope as described in the previous point (4).
- 6) Cut off the excess wire (Fig. 3.2.8-A).
- 7) Lower the cosmetic covers (Fig. 3.2.8-B).

Electrical connection

- 8) Fasten the ceiling rose anchoring bracket at the electrical connection (Fig. 3.2.11-A).
- 9) Slide the ceiling rose over the electrical cable and electrically connect the hood (Fig. 3.2.11-B) including earthing of the bracket.
- 10) Slide the rosette over the cable and fix it to the bracket (Fig. 3.2.11-C).

III.3 Electrical Connection

The electrical connection must be carried out **ONLY** by qualified technicians.

The electrical protection of the electrical connection upstream of the equipment must comply with the regulations in force.



Caution! Make sure that the voltage (V) and frequency (Hz) indicated on the serial number plate located on the appliances correspond to those available at the installation site.

Any change to the electrical installation necessary to install the hood should only be undertaken by qualified staff. After installation, insulated parts and those carrying electricity must be protected from any possible contact.



Caution! If the electrical connection is carried out incorrectly or not meeting the regulations, it may damage part of the appliance and the warranty will not be valid.



Warning! Before making the electrical connection, turn the main switch of the domestic system to "off".

ATTENTION: in this device the earthing cable is yellow.

These appliances must be earthed.

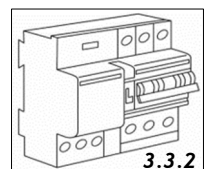
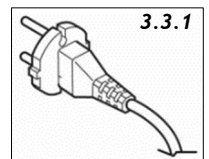
Two types of connections to the network are possible:

1. Using a standard plug connected (Fig. 3.3.1) to the power cord and inserted into an accessible socket outlet (to be disconnected during service operations). Make sure that the plug is accessible even after the complete installation of the appliance.

2. Stable connection to the network by interposing a bipolar switch to ensure disconnection from the network, with a contact opening distance allowing complete disconnection under the conditions of the overvoltage category III, by the installation rules (Fig. 3.3.2.).

Earth connection (yellow-green wire) should not be interrupted.

If the power cord is damaged, it must be replaced by the manufacturer or its authorized service center or by a qualified technician, to prevent any risk.



IV USE

This hood has been designed to work exclusively in filtering mode.

The aspirated fumes pass through the Plasma filter and are re-introduced into the kitchen without odors (Fig. 4.1).

V OPERATION

The hood is equipped with a multi-speed motor. It is advisable to use the low speed in normal conditions and the other speeds when high concentrations of odours or vapours are present. It is also advisable to start the hood when cooking begins and to keep it running until the odours have disappeared.

V.1 Operating the hood controls

The controls on the hood (Fig. 5.1.1) are fitted with the following buttons:

TL: Lamp switch on/off and light temperature adjustment.

T1: Switch-on at speed 1 and extractor off.

T2-T3: Operation at speeds 2 and 3 respectively.

T4: Intensive speed setting (maximum extraction), the extractor operates at this speed for 5 minutes (with button flashing) and then automatically switches speed 3.

TR: 24-hour Comfort function

PL: Plasma filter operation LED indicator light

Light adjustment:

TL single click: on/off at the stored brightness and temperature.

TL double click when off: minimum brightness (10% brightness, ambient light).

TL long press (for more than 1 second) when on: brightness adjustment:

- Starting from stored setting, DOWN → UP adjustment, when not released, the maximum brightness is set.
- With an additional long press, the UP → DOWN adjustment is carried out to the minimum brightness.
- When the button is released, both at maximum/minimum or during adjustment, the desired intensity is stored for the next switch-on.

TL+TR with light on: colour temperature adjustment (same procedure as intensity adjustment).

V.2 Remote control operation

Remote control encoding

The included remote control is already encoded and ready to fully control the hood.

In the event that the remote control is replaced, a new encoding is required.

After switching on the power supply, all LEDs on the hood will light up alternately (Fig. 5.1.1). Within 10 seconds, press and hold any button on the remote control until an acoustic signal is heard that indicates successful completion of the procedure.

When the LEDs go out, programming is complete and it will no longer be possible to program the remote control.

Remote Control Operation

For the remote control buttons, refer to Fig. 5.2.1.

■ Extraction switch on/off.

The motor always runs at speed 2.

A long press activates the 24-hour comfort function, which can be cancelled by pressing button ■ and the hood is also switched off.

▲ Lighting switch-on.

Successive single presses allow switching between maximum and minimum brightness;

Long presses (with the light on) change the intensity.

▼ Lighting switch-off.

Long presses (with the light on) change the temperature.

⊕ With the motor running, an increase in speed up to speed 4.

A long press (with the motor switched off) resets the anti-grease filter timer; an acoustic signal of approx. 1 second is sounded as confirmation.

— With the motor running, a reduction in speed to speed 1.



A long press (with the motor running), activates the auto power-off timer (the motor switches to speed 1 and switches off after 15 minutes). The timer is deactivated by switching off the motor using button ■.

V.3 Adjustable Delayed Auto Power-Off Activation

This feature allows a delayed power-off after the end of the cooking phase so that the right level of air purity in your kitchen is restored as quickly as possible.

With the hood in operation, choose the desired speed, then press and hold the T2+T3 button for a few seconds until all the LEDs start to flash (T1, T2, T3, T4). By pressing one of the buttons (T1, T2, T3, T4), the auto power-off time can be programmed, as follows: T1 for 5 minutes; T2 for 10 minutes; T3 for 15 minutes; T4 for 20 minutes

During auto power-off operation, the set speed (including intensive speed) can be changed. If the power-off time chosen is the same as the set speed, the speed LED flashes; if a different time is chosen, the speed LED remains steady. The hood must be switched off to disable the self-switch-off.

If this function is to be handled via the remote control, the auto power-off is preset to 15 minutes and motor speed 1. When the 15 minutes has elapsed, the motor switches off automatically. To activate it, press and hold button  while the hood is switched on at any speed. The timer is deactivated by switching off the motor using button .

V.4 Maintenance alerts

Metal anti-grease filters

Every 30 hours of hood operation, when the hood is switched off, all speed button LEDs illuminate with a steady or flashing light for 30 seconds to signal that the metal anti-grease filters need to be cleaned. To reset the timer, simply press and hold button T4 with the extractor switched off. If this operation is not carried out, the device will sound an alarm again the next time the hood is switched off.

Carry out the following to reset the timer via remote control:



Press and hold button  with the extractor switched off.

V.5 24-hour Comfort function

This function allows the continuous air renewal in your kitchen when the hob and the range hood are not being used. Air extraction cycles are activated at programmed time intervals: 5 min ON - 25 min OFF. These timed cycles clean the air of any lingering odours as cigarette smoke, detergents and stagnant and stuffy smells. This function is easy to activate and deactivate when required or can be left on for 24 hours.

Press the TR button to select the 24-hour Comfort function, which stays active for up to 24 hours. The extractor switches on at speed 1 for 5 minutes, then switches off automatically and repeats cyclically every 25 minutes.

During the extraction phase, the TR button flashes every second and during the 25-minute interval it flashes every 5 seconds. The function can be deactivated at any time by pressing the TR button.

To activate this function via remote control, long press and hold . To deactivate it, press button  and the hood will also be switched off.

VI MAINTENANCE AND CLEANING



Warning! Before any maintenance or cleaning operation, disconnect the hood from the power supply by setting the main switch of the domestic system to "off".

VI.1 Metal anti-grease filter

Particular attention should be paid to the metal grease filter, which has the function of retaining the fat particles contained in the vapors. The grease filter must be washed when the warning appears or at least once a month, use hot water and detergent (or put it in the dishwasher). The filter may become discolored after a few washes. This is normal and does not mean that it needs to be replaced.

To remove the metal anti-grease filter, use the handle on the filter itself (Fig. 6.1.1).

It is recommended to refit the metal grease filter only if perfectly dry.



ATTENTION: the grease collected in the filters can easily catch fire and it is therefore extremely important to clean the metallic filters regularly as per instructions

VI.2 Plasma anti-odour filter

The Plasma anti-odour filter does not require any special maintenance and its lifetime is approximately 10 years, maintaining its efficiency in eliminating odours, viruses and bacteria in the air.

Correct operation of the Plasma filter is indicated by a green LED indicator light (Fig. 5.1.1-PL) on the hood controls. The filter is automatically activated when air flows through it. The LED indicator light (Fig. 5.1.1-PL) is therefore always switched on when the extractor is in operation, which means that the filter itself is operating correctly.

VI.3 Hood Cleaning

The hood must be cleaned frequently both internally and externally (at least once a month).

Do not allow dirt to accumulate on the surfaces of the hood.

Do not use acid or basic products or abrasive sponges to clean the external parts of the hood. Clean the hood with a sponge moistened with hot water and a small quantity of neutral soap (for example dish soap) to eliminate any grease particles that may have deposited.

Rinse with a damp cloth, carefully remove all the soap, and dry. Drying is particularly important, especially in areas where the water is very hard and leaves limescale deposits.

VI.4 Lighting

The hood is equipped with LED lighting which, in addition to offering excellent lighting and limited energy consumption, guarantee a considerable duration over time.

Both the brightness and temperature of the hood's LED lighting be adjusted (see the OPERATION section).

VII DISCONTINUATION

The discontinuation means the definitive shutdown and disassembly of the appliance.

After discontinuation, the appliance can be installed on another piece of furniture, privately resold, or disposed of.



Caution! For discontinuation, it is necessary to switch the appliance off and disconnect the power

Disassembly requires that the device is accessible and has been disconnected from the power supply.

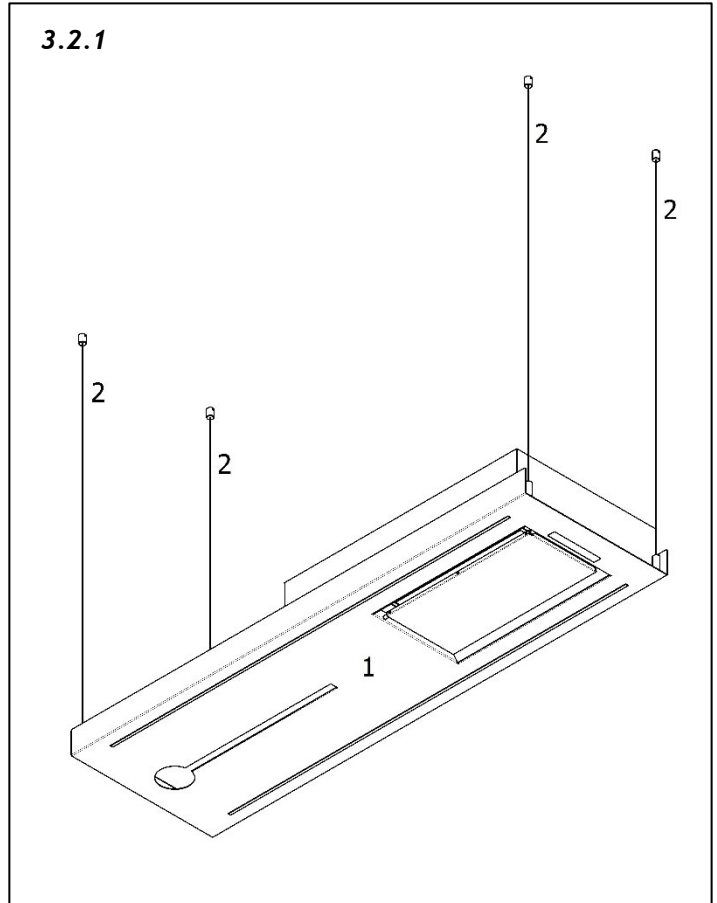
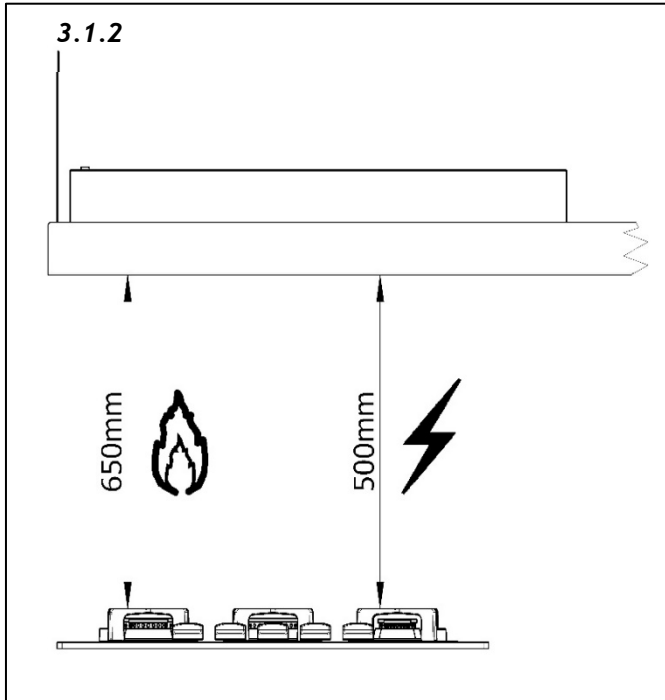
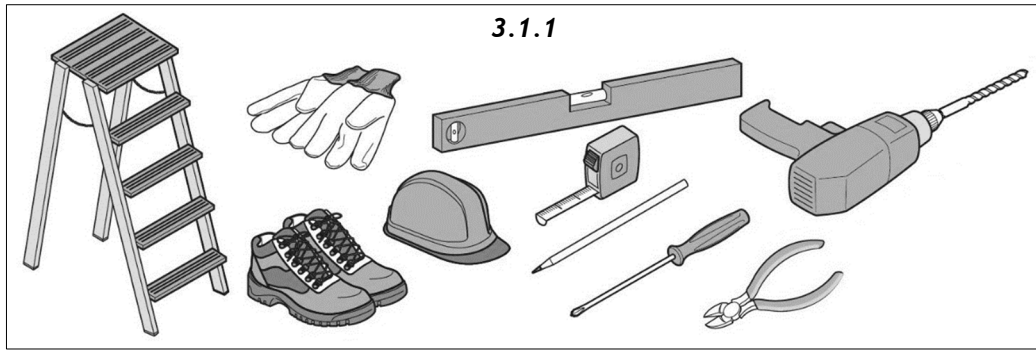
To do this, follow the installation instructions in reverse order.

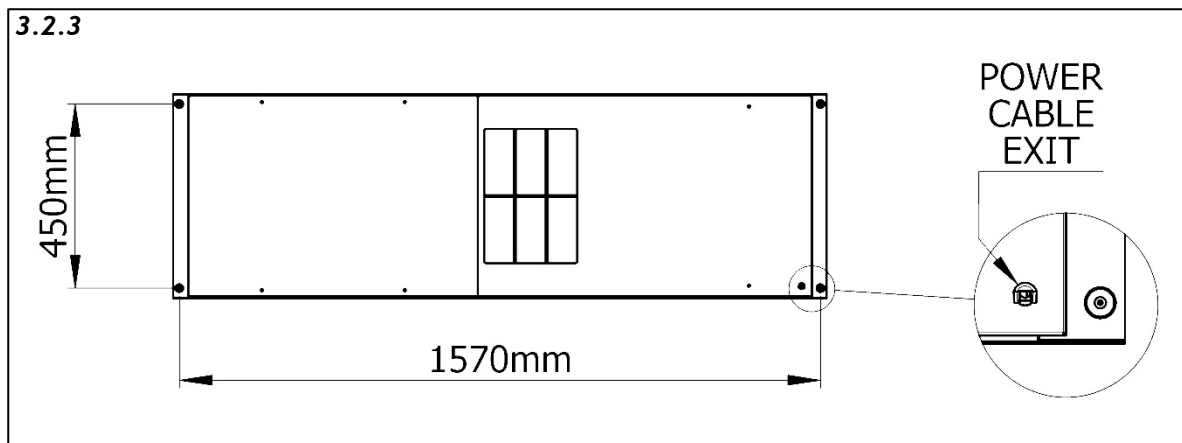
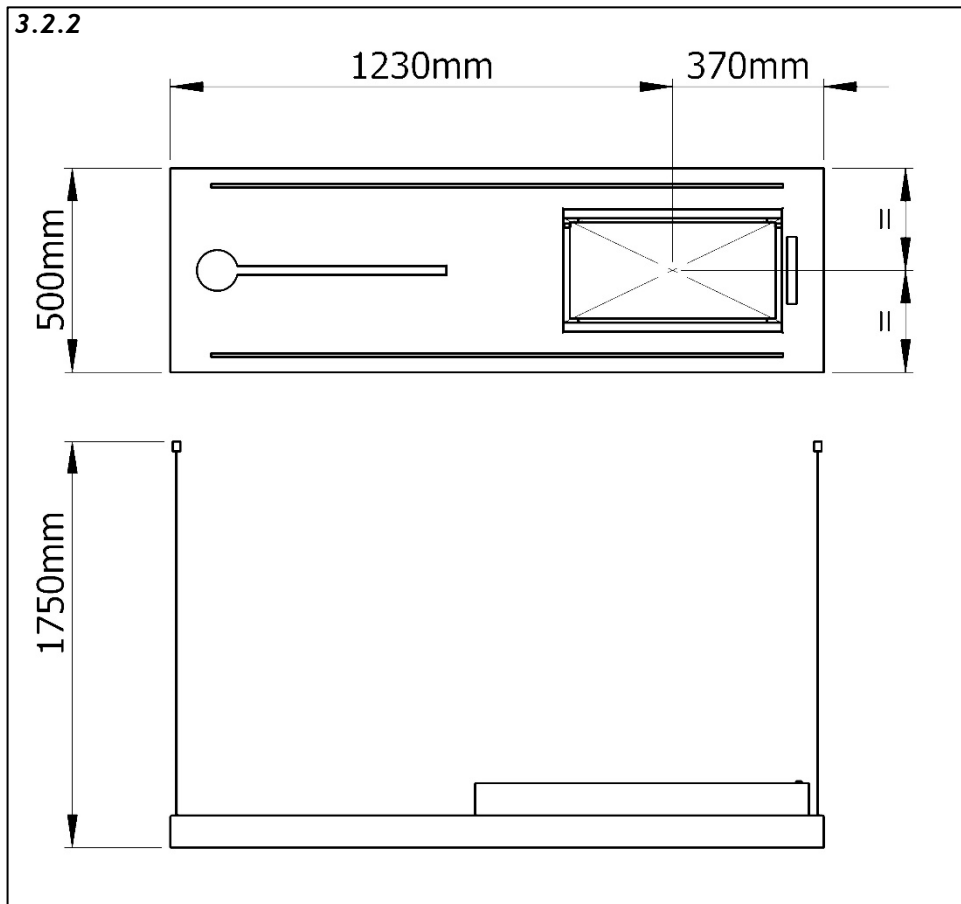


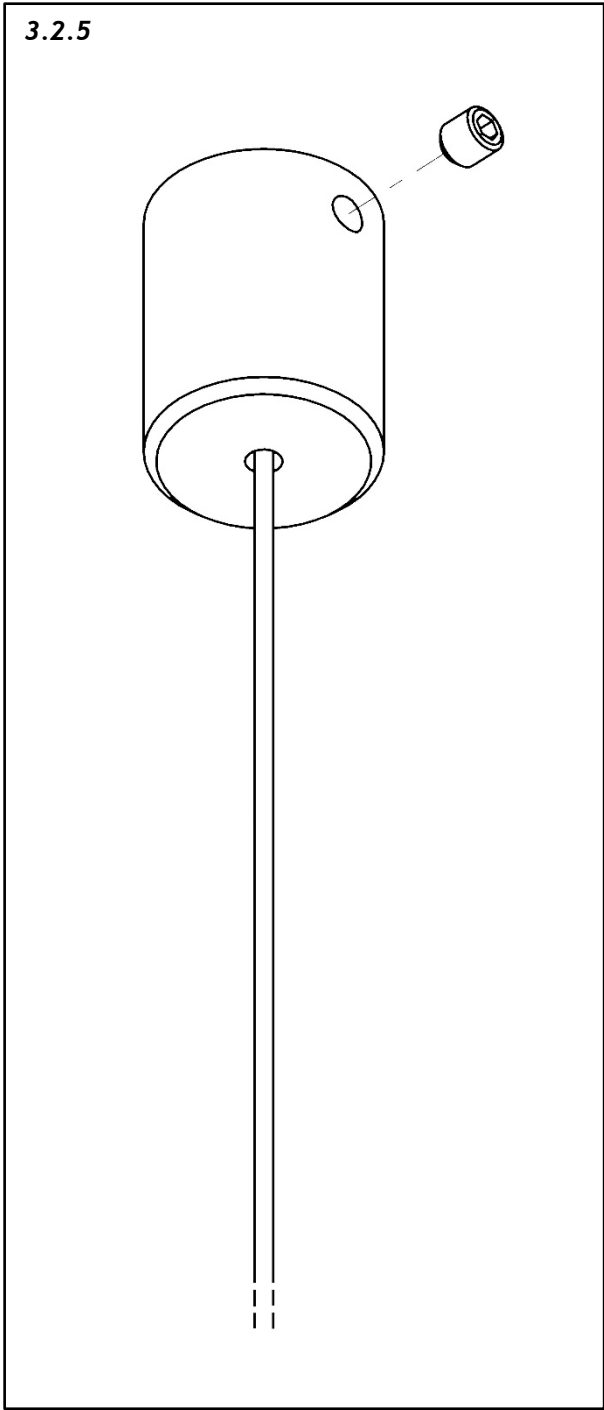
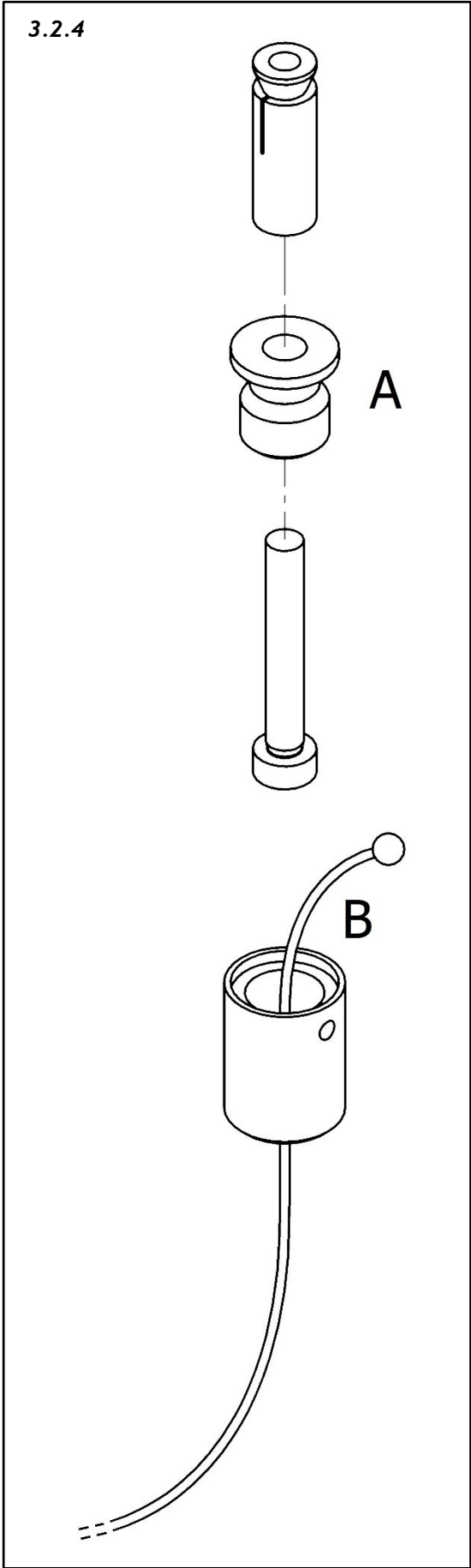
This appliance is marked under the European Directive 2012/19/EC, Waste Electrical and Electronic Equipment (WEEE).

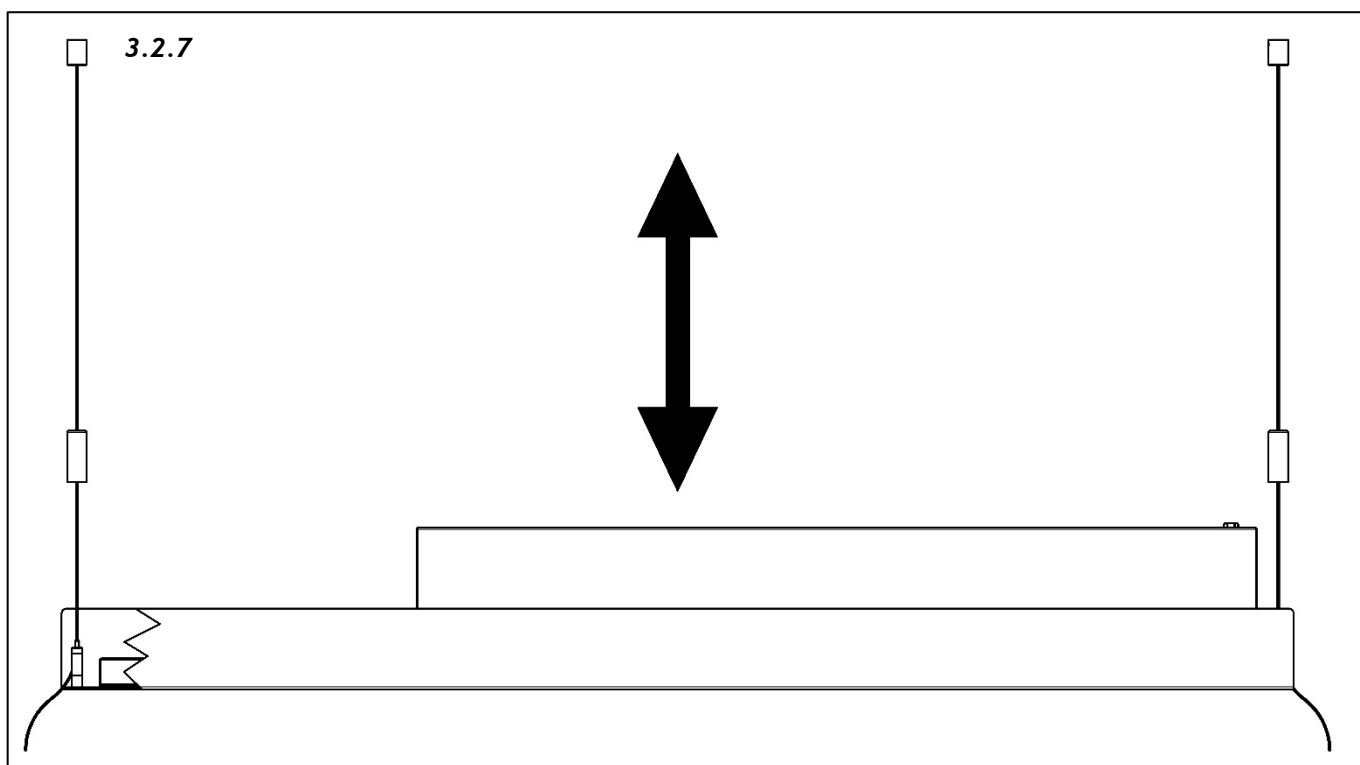
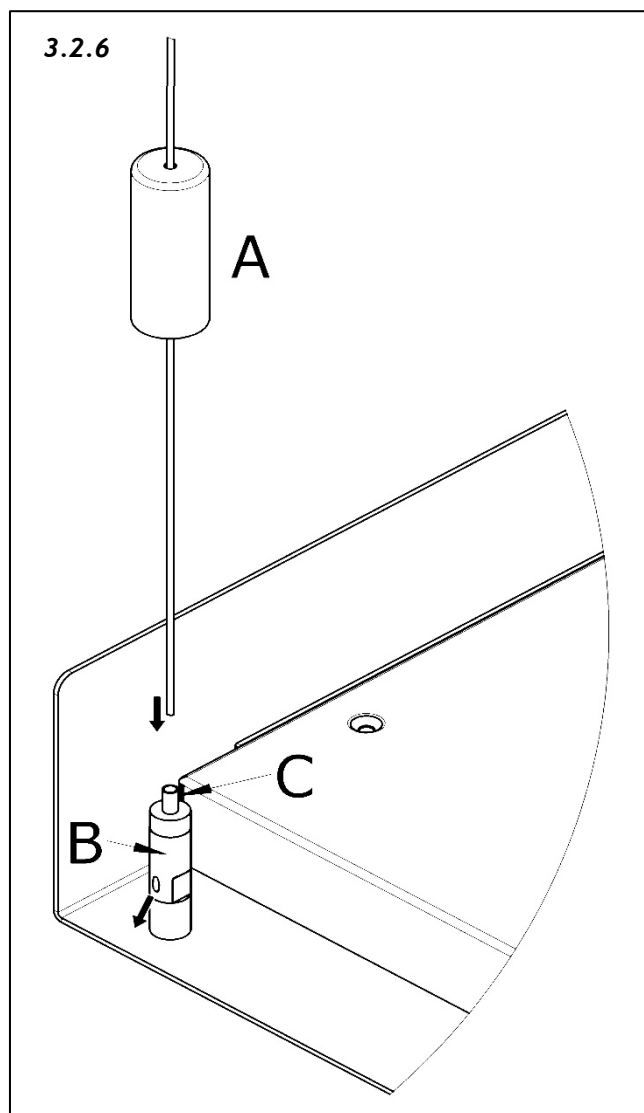
The symbol on the product or the packaging indicates that the product should not be considered as normal household waste, but must be taken to the appropriate collection point for the recycling of electrical and electronic equipment.

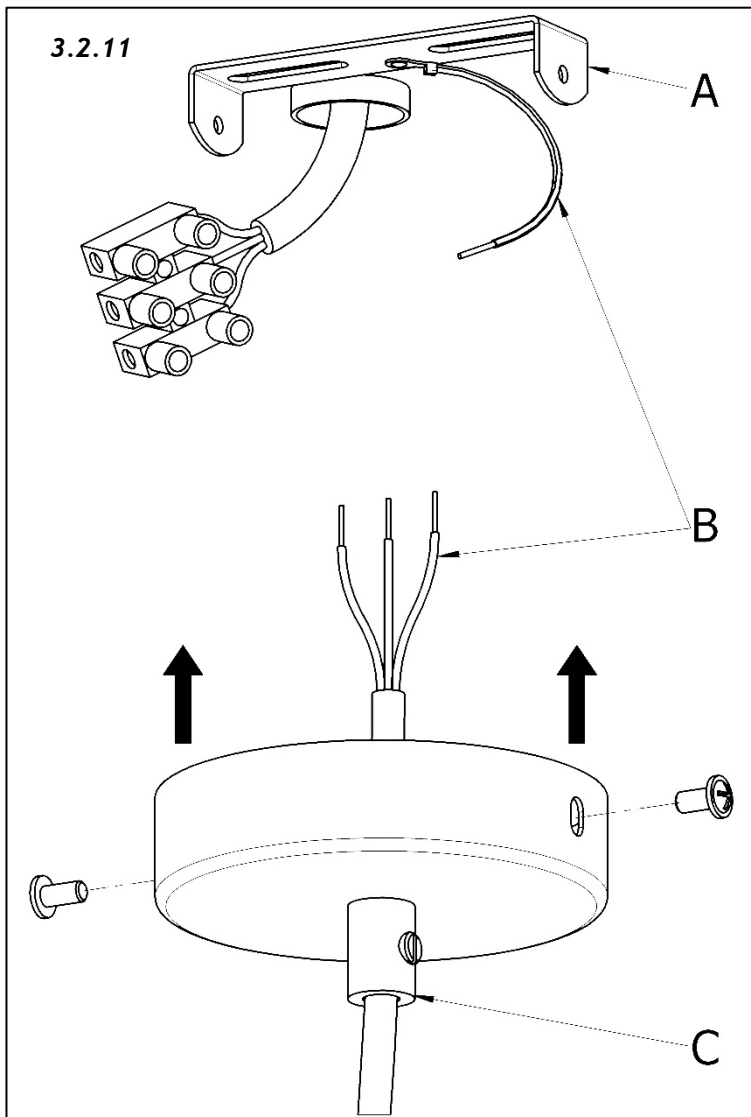
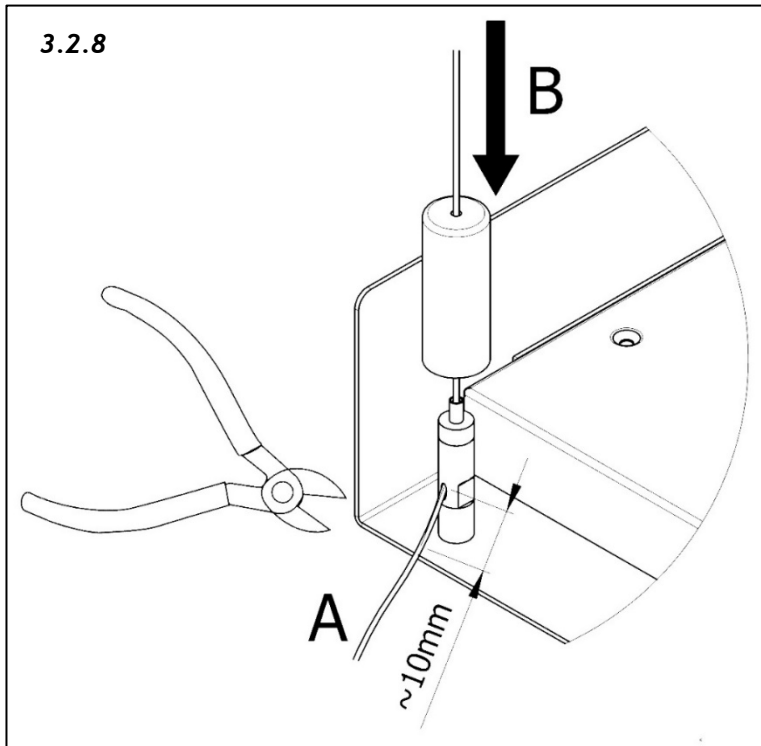
The appropriate disposal of this product helps to avoid potential negative consequences for the environment and health. For more detailed information, contact your local office, local waste disposal service, or the shop where you purchased the product.

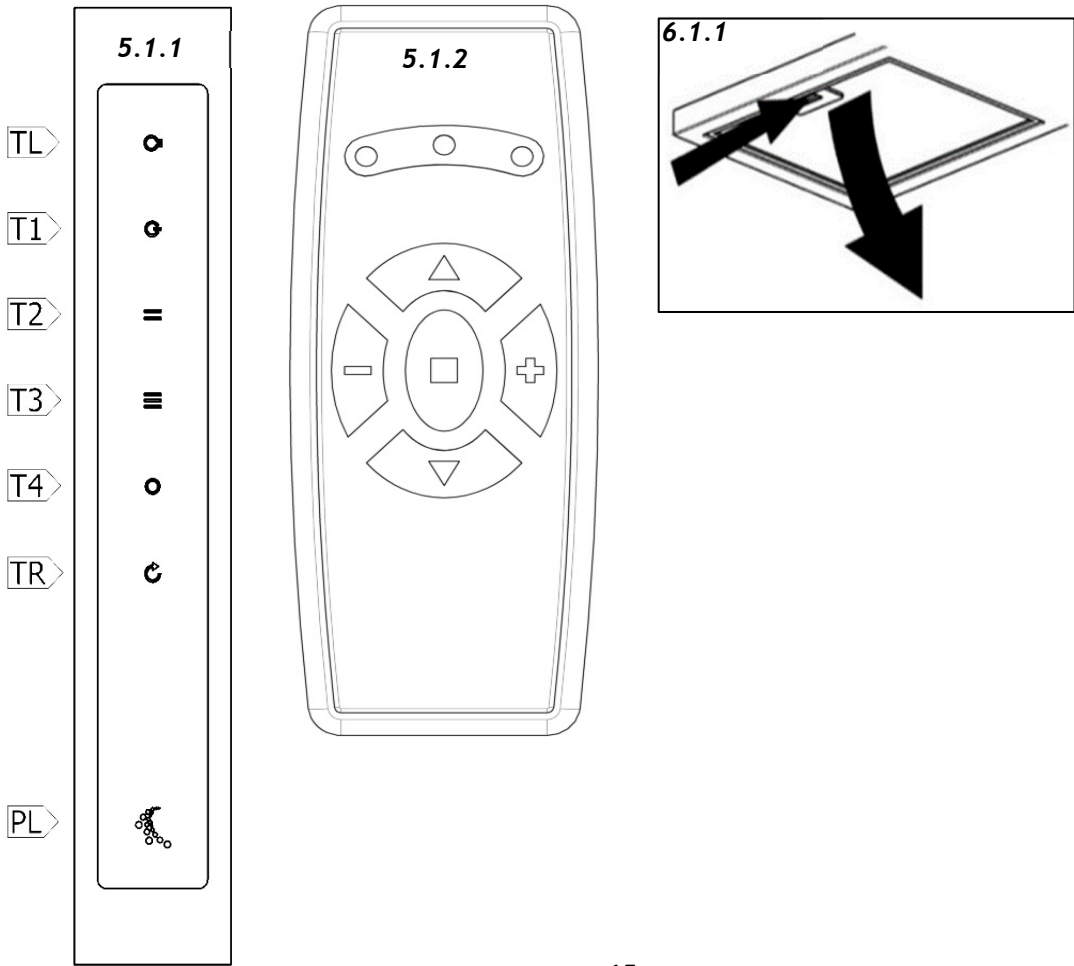
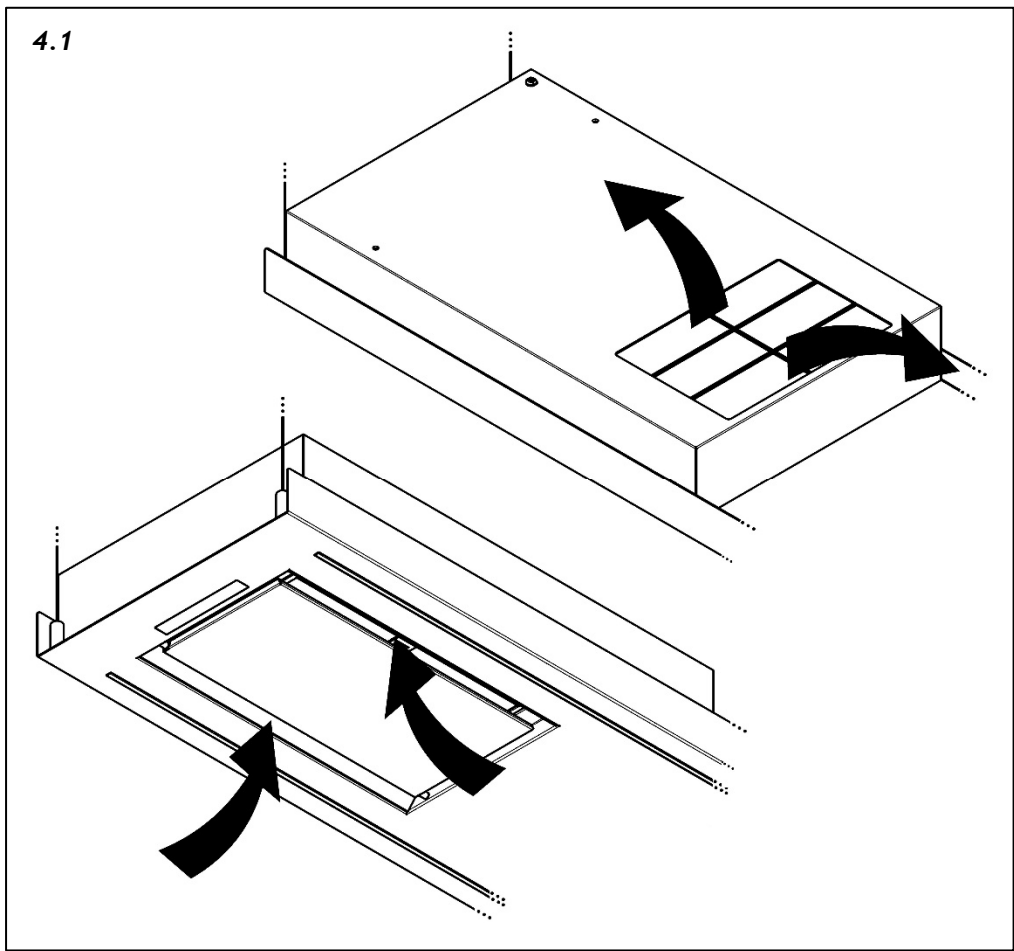














Miro Products Limited
Unit 9, Evolve @ Vision Park
Whittle Way, Burnley
Lancashire, BB12 0AW
www.miroproducts.co.uk
01282 450238