

Ceiling unit
Pure'line Compact 90 cm
White

EAN 5414425152759



Energy label

▪ Energy Efficiency class (EEIhood)	B
▪ Annual Energy Consumption (kWh/year) (AEChood)	62,7
▪ Fluid Dynamic Efficiency class (FDEhood)	B
▪ Lighting Efficiency class (LEhood)	A
▪ Grease Filtering Efficiency class (GFEhood)	D

Functions & features

▪ Control method	Push buttons + Remote control
▪ Number of speeds	3 + power
▪ Automatic Power revert (minutes)	6
▪ Motor	Integrated
▪ Sound absorber	Integrated
▪ Recirculation	Optional
▪ InTouch function	Standard
▪ Auto stop	▪
▪ Delayed switch off (minutes)	10/30
▪ Number of grease filters	2
▪ Grease filter	6830020
▪ Grease filter cleaning indication	▪
▪ Recirculation filter cleaning indication	▪

Dimensions

▪ Product dimensions (WxDxH) (mm)	868 x 508 x 195
▪ Height incl. mounting clamps (without motorbox) (mm)	133
▪ Width flange (mm)	15
▪ Dimensions cut-out opening (WxD) (mm)	845 x 485
▪ Advised mounting height induction hobs (Hmin-Hmax) (mm)	600 - 1600
▪ Advised mounting height gas hobs (Hmin-Hmax) (mm)	650 - 1600
▪ Advised mounting height ceramic hobs (Hmin-Hmax) (mm)	600 - 1600
▪ Diameter outlet (mm)	222x89
▪ Position exhaust	Right, Left, Front, Back

Lighting

▪ Functional lighting type	Led
▪ Dimmable light	▪
▪ Soft-ON/OFF	▪
▪ Total energy consumption functional light (W)	12
▪ Color functional light	2700/4000

Airflow and noise level

▪ Free airflow (m ³ /h)	750
▪ Airflow (m ³ /h) measured according to EN 61591	

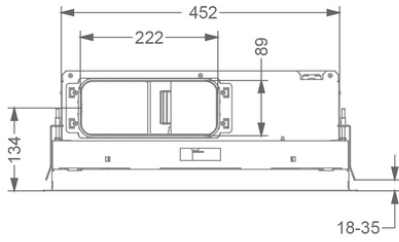
Airflow and noise level

▪ Sound regulation according to DIN 45635-2	
▪ Airflow speed 1 (m ³ /h) / Max Pressure speed 1 (Pa)	244 / 40
▪ Airflow speed 2 (m ³ /h) / Max Pressure speed 2 (Pa)	443 / 142
▪ Airflow speed 3 (m ³ /h) / Max Pressure speed 3 (Pa)	581 / 266
▪ Airflow Powerspeed (m ³ /h) / Max Pressure Powerspeed (Pa)	650 / 483
▪ Sound pressure speed 1 (dB(A)) / Sound power speed 1 (dB(A))	29 / 41
▪ Sound pressure speed 2 (dB(A)) / Sound power speed 2 (dB(A))	43 / 55
▪ Sound pressure speed 3 (dB(A)) / Sound power speed 3 (dB(A))	49 / 61
▪ Sound pressure Powerspeed (dB(A)) / Sound Powerspeed (dB(A))	53 / 65

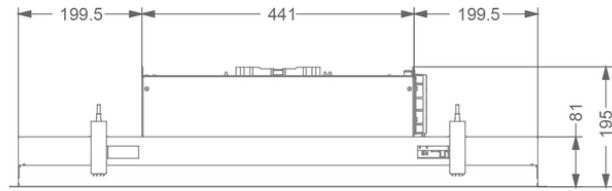
Technical specifications

▪ Maximum power	171
▪ Voltage (V)	220-230
▪ Frequency (Hz)	50
▪ Length power supply cord (m)	1,2
▪ Power consumption in stand-by-mode (Ps) (W)	0.25
▪ Net weight (kg)	22

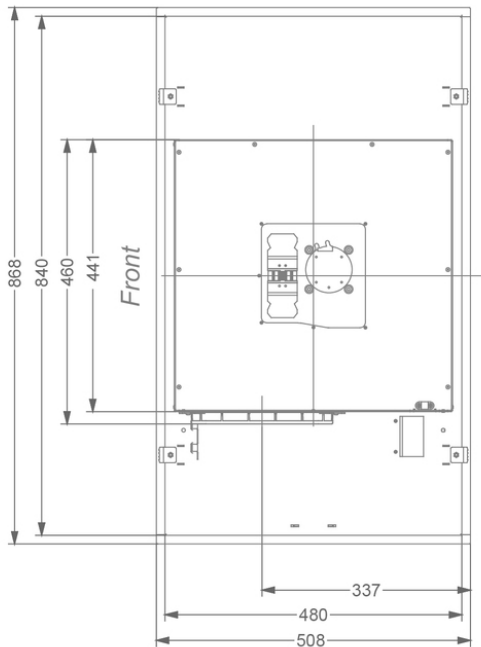
1



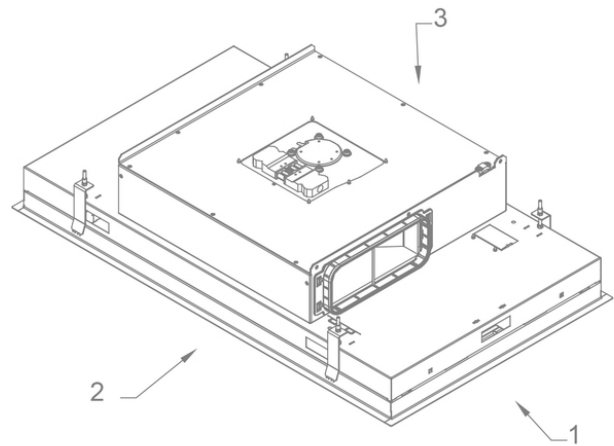
2



3



4



Accessories

Recirculation box

841400

recirculation box with monoblock white (270x500mm)



842400

recirculation box with monoblock black (270x500mm)



843400

recirculation box with monoblock grey (270x500mm)

Control kit

990030

Control kit for external lighting or valve

