

Island mounted
Flatline 90 cm
Black



EAN 5414425195480

Energy label

▪ Energy Efficiency class (EEIhood)	A+
▪ Annual Energy Consumption (kWh/year) (AEChood)	30,9
▪ Fluid Dynamic Efficiency class (FDEhood)	A
▪ Lighting Efficiency class (LEhood)	A
▪ Grease Filtering Efficiency class (GFEhood)	F

Functions & features

▪ Control method	Push buttons
▪ Number of speeds	3 + power
▪ Automatic Power revert (minutes)	6
▪ Motor	Integrated
▪ Sound absorber	Integrated
▪ Recirculation	Optional
▪ InTouch function	Optional
▪ Auto stop	▪
▪ Delayed switch off (minutes)	10
▪ Number of grease filters	1
▪ Grease filter	7400020
▪ Grease filter cleaning indication	▪
▪ Recirculation filter cleaning indication	▪

Dimensions

▪ Product dimensions exhaust (WxDxHmin-Hmax) (mm)	900 x 600 x 563 - 730
▪ Product dimensions recirculation (WxDxHmin-Hmax) (mm)	900 x 600 x 679 - 860
▪ Max height optional chimney [a] exhaust (mm)	1040
▪ Max height optional chimney [b] exhaust (mm)	1350
▪ Max height optional chimney [b] recirculation (mm)	1480
▪ Advised mounting height induction hobs (Hmin-Hmax) (mm)	650 - 850
▪ Advised mounting height gas hobs (Hmin-Hmax) (mm)	650 - 850
▪ Advised mounting height ceramic hobs (Hmin-Hmax) (mm)	600 - 850
▪ Diameter outlet (mm)	150
▪ Position exhaust	Top

Lighting

▪ Functional lighting type	Led
▪ Dimmable light	▪
▪ Soft-ON/OFF	▪
▪ Total energy consumption functional light (W)	8

Airflow and noise level

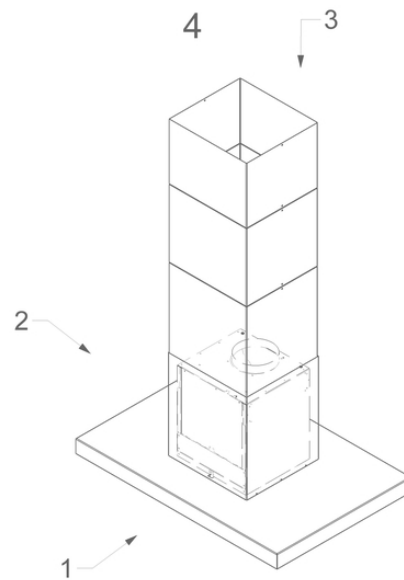
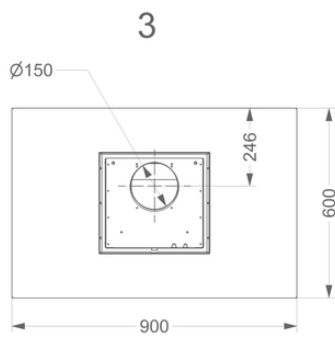
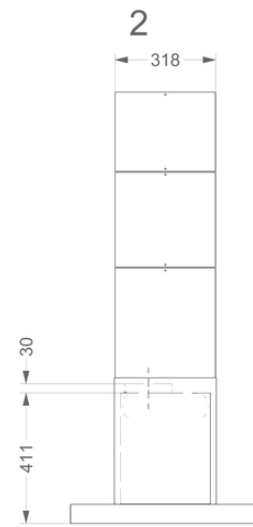
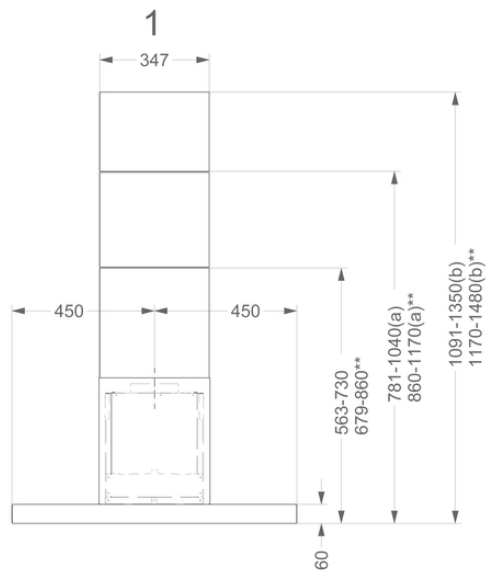
- Airflow (m³/h) measured according to EN 61591
- Sound regulation according to EN 60704-2-13

Airflow and noise level

▪ Airflow speed 1 (m ³ /h) / Max Pressure speed 1 (Pa)	277 / 66
▪ Airflow speed 2 (m ³ /h) / Max Pressure speed 2 (Pa)	467 / 237
▪ Airflow speed 3 (m ³ /h) / Max Pressure speed 3 (Pa)	620 / 382
▪ Airflow Powerspeed (m ³ /h) / Max Pressure Powerspeed (Pa)	707 / 382
▪ Sound pressure speed 1 (dB(A)) / Sound power speed 1 (dB(A))	24 / 35
▪ Sound pressure speed 2 (dB(A)) / Sound power speed 2 (dB(A))	34 / 46
▪ Sound pressure speed 3 (dB(A)) / Sound power speed 3 (dB(A))	41 / 53
▪ Sound pressure Powerspeed (dB(A)) / Sound Powerspeed (dB(A))	44 / 56

Technical specifications

▪ Maximum power	118
▪ Voltage (V)	220-230
▪ Frequency (Hz)	50
▪ Length power supply cord (m)	1,3
▪ Power consumption in stand-by-mode (Ps) (W)	0.25
▪ Net weight (kg)	38,8



Installation accessories

Back panel & chimney extensions

- 7642100
- 7642101

Chimney extension 72cm
Chimney extension 103cm

Accessories

Recirculation kit



7640400

Recirculation set Flat'line island

Control kit



990026

InTouch Kit incl. remote control



990030

Control kit for external lighting or valve

