

**Wall mounted  
Vision 90 cm  
White**

EAN 5414425103911



## Energy label

▪ Energy Efficiency class (EEIhood)	A+
▪ Annual Energy Consumption (kWh/year) (AEChood)	45,5
▪ Fluid Dynamic Efficiency class (FDEhood)	A
▪ Lighting Efficiency class (LEhood)	A
▪ Grease Filtering Efficiency class (GFEhood)	C

## Functions & features

▪ Control method	Touch control
▪ Number of speeds	3 + power
▪ Automatic Power revert (minutes)	6
▪ Motor	Integrated
▪ Sound absorber	Integrated
▪ InTouch function	Optional
▪ Auto stop	▪
▪ Delayed switch off (minutes)	10
▪ Number of grease filters	2
▪ Grease filter	7830020
▪ Grease filter cleaning indication	▪
▪ Recirculation filter cleaning indication	-

## Dimensions

▪ Product dimensions exhaust (WxDxHmin-Hmax) (mm)	898 x 426 x 830 - 1100
▪ Product dimensions recirculation (WxDxHmin-Hmax) (mm)	898 x 426 x -
▪ Max height optional chimney exhaust (mm)	1390
▪ Advised mounting height induction hobs (Hmin-Hmax) (mm)	500 - 750
▪ Advised mounting height gas hobs (Hmin-Hmax) (mm)	650 - 750
▪ Advised mounting height ceramic hobs (Hmin-Hmax) (mm)	500 - 750
▪ Position exhaust	Top, Back

## Lighting

▪ Functional lighting type	Led
▪ Dimmable light	-
▪ Soft-ON/OFF	-
▪ Total energy consumption functional light (W)	4
▪ Color functional light	2700

## Airflow and noise level

▪ Airflow (m³/h) measured according to EN 61591	
▪ Sound regulation according to EN 60704-2-13	
▪ Airflow speed 1 (m³/h) / Max Pressure speed 1 (Pa)	244 / 329
▪ Airflow speed 2 (m³/h) / Max Pressure speed 2 (Pa)	341 / 501
▪ Airflow speed 3 (m³/h) / Max Pressure speed 3 (Pa)	467 / 558

**Airflow and noise level**

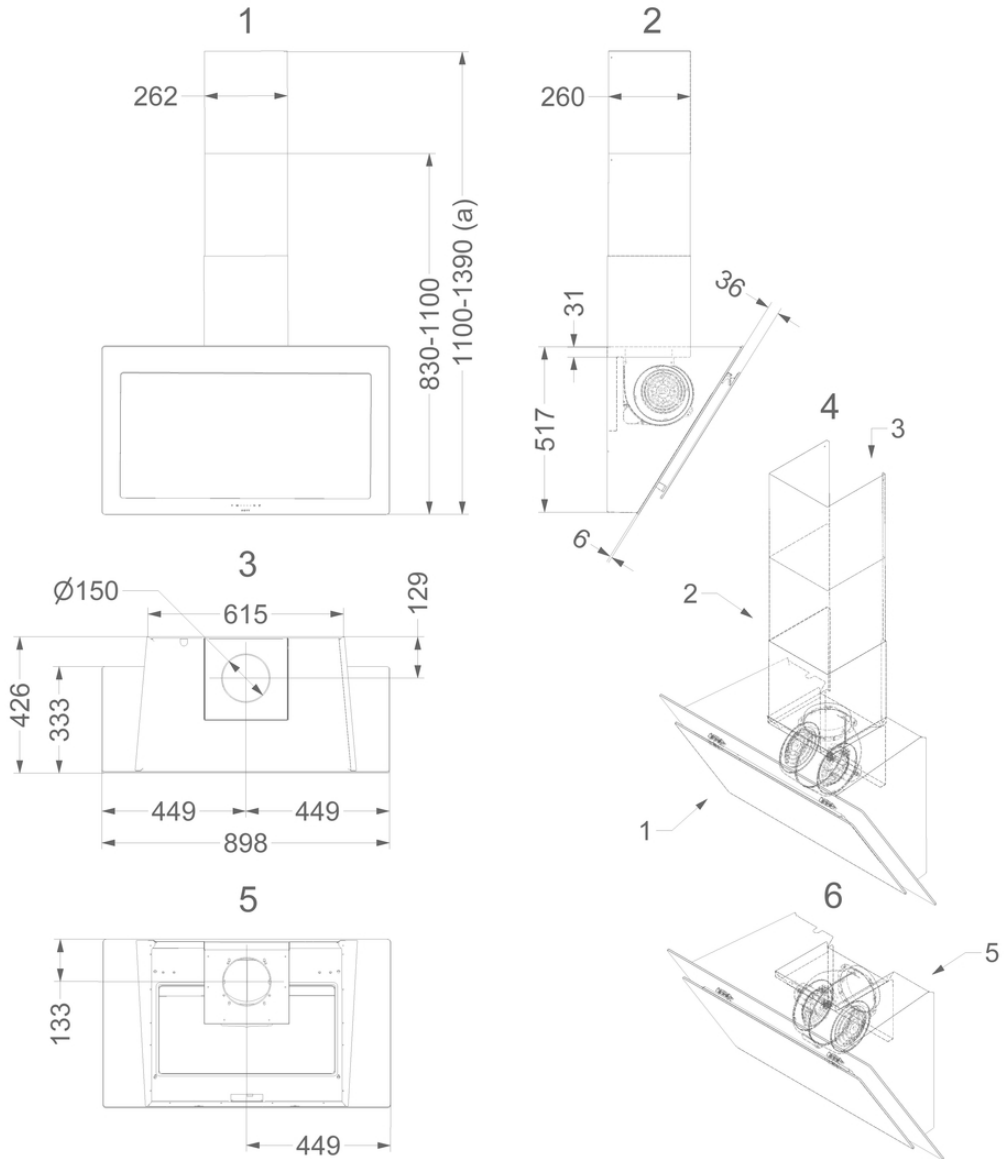
---

▪ Airflow Powerspeed (m <sup>3</sup> /h) / Max Pressure Powerspeed (Pa)	808 / 585
▪ Sound pressure speed 1 (dB(A)) / Sound power speed 1 (dB(A))	25 / 35
▪ Sound pressure speed 2 (dB(A)) / Sound power speed 2 (dB(A))	32 / 42
▪ Sound pressure speed 3 (dB(A)) / Sound power speed 3 (dB(A))	41 / 51
▪ Sound pressure Powerspeed (dB(A)) / Sound Powerspeed (dB(A))	51 / 62

**Technical specifications**

---

▪ Maximum power	325
▪ Voltage (V)	220-230
▪ Frequency (Hz)	50
▪ Length power supply cord (m)	1,3
▪ Power consumption in stand-by-mode (Ps) (W)	0.29
▪ Net weight (kg)	32,5



**Installation accessories**

---

**Back panel & chimney extensions**

▪ 7830100

Chimney extension

**Accessories**

---

**Control kit**

990021

InTouch Kit incl. remote control

Efficiency Curve

