

Wall mounted
Vision 90 cm
Black



EAN 5414425103928

Energy label

| | |
|--------------------------------------|---|
| ▪ Lighting Efficiency class (LEhood) | A |
|--------------------------------------|---|

Functions & features

| | |
|--|---------------------|
| ▪ Control method | Touch control |
| ▪ Number of speeds | 3 + power |
| ▪ Automatic Power revert (minutes) | 6 |
| ▪ Motor | Integrated |
| ▪ Sound absorber | Integrated |
| ▪ Recirculation | Standard, Monoblock |
| ▪ InTouch function | Optional |
| ▪ Auto stop | ▪ |
| ▪ Delayed switch off (minutes) | 30 |
| ▪ Number of grease filters | 2 |
| ▪ Grease filter | 7830020 |
| ▪ Grease filter cleaning indication | ▪ |
| ▪ Recirculation filter cleaning indication | ▪ |

Dimensions

| | |
|---|-----------------------|
| ▪ Product dimensions exhaust (WxDxHmin-Hmax) (mm) | 898 x 426 x - |
| ▪ Product dimensions recirculation (WxDxHmin-Hmax) (mm) | 898 x 426 x 517 - 517 |
| ▪ Advised mounting height induction hobs (Hmin-Hmax) (mm) | 500 - 750 |
| ▪ Advised mounting height gas hobs (Hmin-Hmax) (mm) | 650 - 750 |
| ▪ Advised mounting height ceramic hobs (Hmin-Hmax) (mm) | 500 - 750 |
| ▪ Position exhaust | Top |

Lighting

| | |
|---|------|
| ▪ Functional lighting type | Led |
| ▪ Dimmable light | - |
| ▪ Soft-ON/OFF | - |
| ▪ Total energy consumption functional light (W) | 4 |
| ▪ Color functional light | 2700 |

Airflow and noise level

| | |
|--|---------|
| ▪ Free airflow (m ³ /h) | 800 |
| ▪ Airflow (m ³ /h) measured according to EN 61591 | |
| ▪ Sound regulation according to EN 60704-2-13 | |
| ▪ Airflow speed 1 (m ³ /h) | 124 |
| ▪ Airflow speed 2 (m ³ /h) | 196 |
| ▪ Airflow speed 3 (m ³ /h) | 394 |
| ▪ Airflow Powerspeed (m ³ /h) | 490 |
| ▪ Sound pressure speed 1 (dB(A)) / Sound power speed 1 (dB(A)) | 34 / 45 |
| ▪ Sound pressure speed 2 (dB(A)) / Sound power speed 2 (dB(A)) | 45 / 55 |

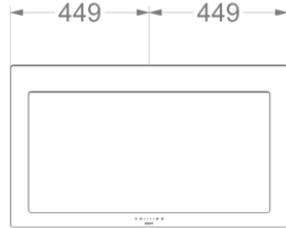
Airflow and noise level

| | |
|--|---------|
| ▪ Sound pressure speed 3 (dB(A)) / Sound power speed 3 (dB(A)) | 55 / 66 |
| ▪ Sound pressure Powerspeed (dB(A)) / Sound Powerspeed (dB(A)) | 59 / 70 |

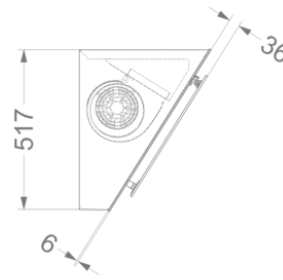
Technical specifications

| | |
|---|---------|
| ▪ Maximum power | 200 |
| ▪ Voltage (V) | 220-230 |
| ▪ Frequency (Hz) | 50 |
| ▪ Length power supply cord (m) | 1,3 |
| ▪ Power consumption in stand-by-mode (Ps) (W) | 0.29 |
| ▪ Net weight (kg) | 6 |

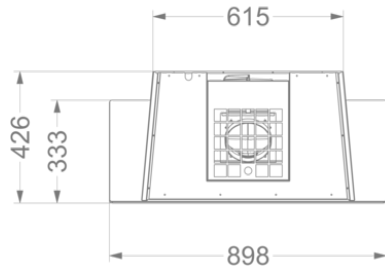
1



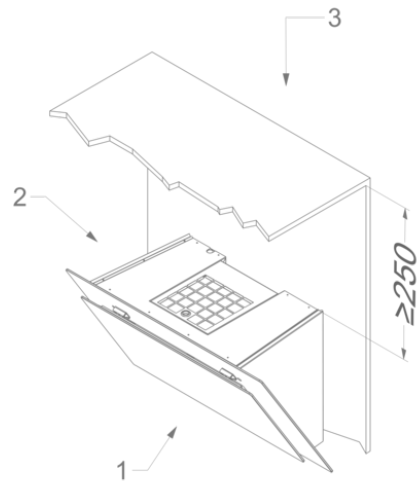
2



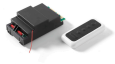
3



4



Accessories

Control kit

990021

InTouch Kit incl. remote control

