

**iQ700, Built-in microwave oven,
Black
BF722L1B1B**



HZ6UCC0	Cookbook
HZG9AS00S	Adapter

The microwave with touchControl for easy control and direct selection of heating modes.

- ✓ TFT-Touchdisplay: intuitive, user-friendly, touch-based navigation and operation.
- ✓ humidClean Plus: softens dirt by vaporising soapy water. Ready to be easily wiped away.
- ✓ Automatic programs ensure excellent results - cookControl7.
- ✓ 900 Watts maximum: ideal for heating liquids
- ✓ The side-opening hinged door: ideal for elevated installation.

Additional functions:

Additional functions:	Microwave only
Control panel:	Electronic
Dimensions:	382x594x318 mm
Cavity dimensions:	230 x 350 x 270 mm
Length electrical supply cord:	175.0 cm
Weight:	17.1 kg
Gross weight:	18.9 kg
EAN code:	4242003906538
Maximum micro-wave power:	900 W
Connection Rating:	1220 W
Fuse protection:	10 A
Nominal power:	220-240 V
Frequency:	50; 60 Hz
Plug type:	GB plug



iQ700, Built-in microwave oven, Black BF722L1B1B

Features

- Maximum microwave power level: 900 W and the following options 180 W, 360 W, 600 W, 90 W, 900 W
- Intelligent microwave inverter technology: For optimised results maximum output power will be regulated to 600 W when used in longer operation for gentler cooking.
- Cavity volume: 21 l

Design

- stainless steel, Stainless steel cavity with glass base cavity with Stainless steel cavity with glass base, stainless steel

Cleaning

- hydrolyse program

Programmes/functions

- Electronic oven clock timer
- Touch control
- User-friendly electronics: extremely
- easy and comfortable operation
- cookControl, 7
- 3 defrost and 4 cooking programmes in microwave function
- yes: one tap to maximum microwave power for 30 seconds
- LED light
- Left hinged door
- Electronic door opening button
- Touch key operation

Features

- Start button
- Door contact switch
- Integral cooling fan

Technical information

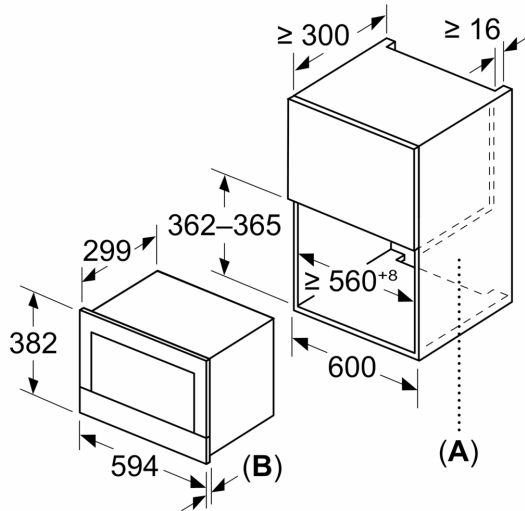
- Total connected load electric: 1.22 KW
- Nominal voltage: 220 - 240 V
- Installation in 60 cm wide wall unit, Installation in tall housing

Performance/technical information

- Appliance dimension (hxwx): 382 mm x 594 mm x 318 mm
- Niche dimension (hxwx): 362 mm - 382 mm x 560 mm - 568 mm x 300 mm
- Please refer to the dimensions provided in the installation manual

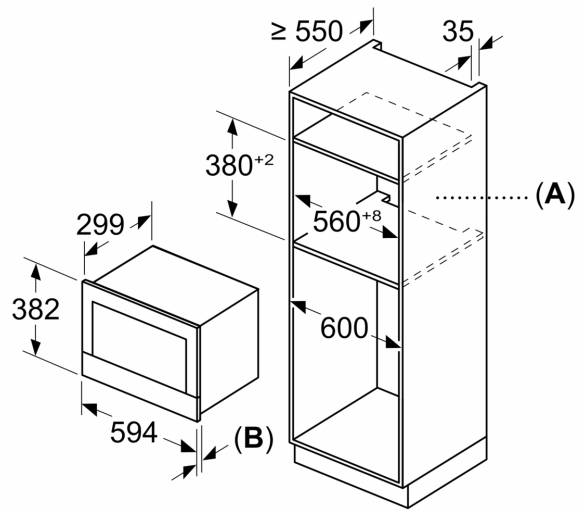
**iQ700, Built-in microwave oven,
Black
BF722L1B1B**

Measurements in mm



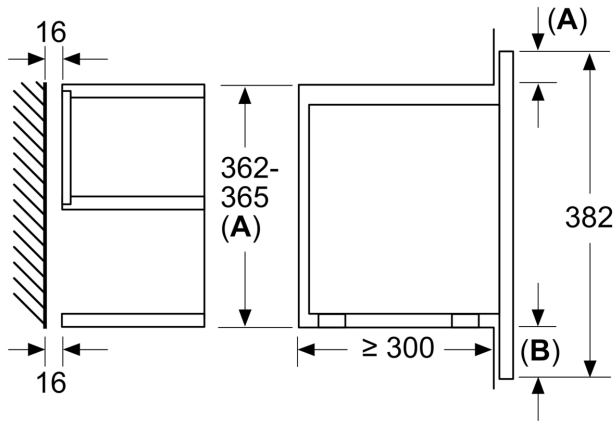
A: Back wall open
B: 19.5 mm

Measurements in mm



A: Back wall open
B: 19.5 mm

measurements in mm



A: Overhang at top:
Recess 362: 6 mm
Recess 365: 3 mm
B: Overhang at bottom: 14 mm