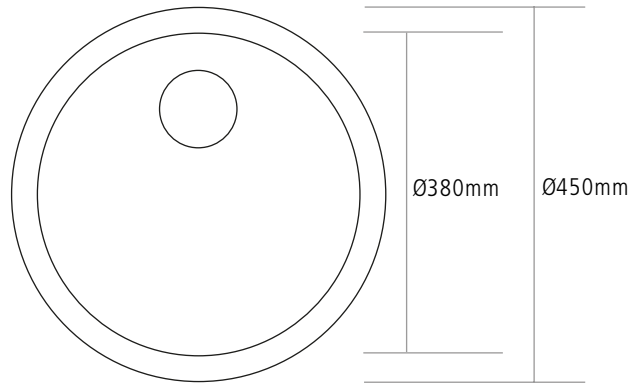


# DIMENSIONS

---



**BOWL DEPTH:** 180MM

**MIN. BASE UNIT:** 500MM

**INSET CUT-OUT SIZE:**  $\varnothing 430\text{MM}$

---

**NOTE:** For cut-out shape go to [www.cagle.co.uk](http://www.cagle.co.uk) for template