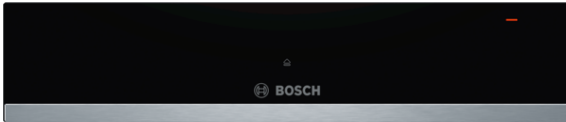


**Serie | 6, Built-in warming drawer, 14 cm, Stainless steel
BIC510NS0B**



The multifunction warming drawer for the 14 cm niche: for pre-heating plates and keeping food warm.

- **Push-pull mechanism:** easy opening and closing thanks to a practical spring mechanism.

Technical Data

Construction type :	Built-in
Color / Material Front :	Stainless steel
Maximum number of plates :	14
Maximum number of espresso cups :	64
Dimensions of the product (mm) :	140 x 594 x 540
Dimensions of the packed product (HxWxD) (mm) :	210 x 660 x 660
Required niche size for installation (HxWxD) :	140 x 560 x 550
EAN code :	4242005035397
Electrical connection rating (W) :	400
Current (A) :	6
Voltage (V) :	220-240
Frequency (Hz) :	60; 50
Plug type :	GB plug

Included accessories
1 x Anti-slip mat



**Serie | 6, Built-in warming drawer, 14 cm,
Stainless steel
BIC510NS0B**

The multifunction warming drawer for the 14 cm niche: for pre-heating plates and keeping food warm.

Design

- Can accommodate up to: -14 plates -64 espresso cups
- Loading up to 15 kg
- Cavity inner surface: Stainless steel
- Push-pull opening mechanism

Programmes/functions

- 4 Functions: keeping drinks and food warm, pre-warming of tableware, yeast dough proving, thawing of delicate foods

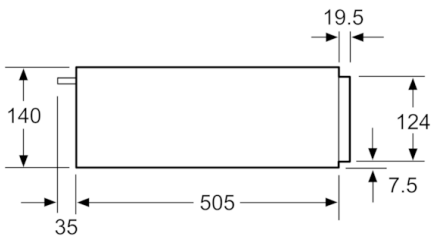
Accessories

- 1 x Anti-slip mat

Performance/technical information

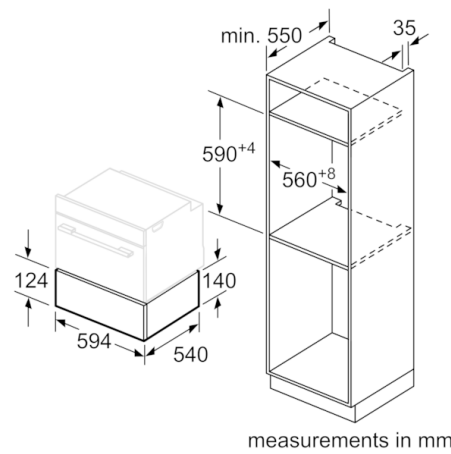
- Cavity volume: 23 l
- Power cord length 150 cm Cable length
- Total connected load electric: 0.4 KW
- Nominal voltage: 220 - 240 V
- Appliance dimension (hxwxd): 140 mm x 594 mm x 540 mm
- Niche dimension (hxwxd): 140 mm x 560 mm - 568 mm x 550 mm
- Please refer to the dimensions provided in the installation manual

**Serie | 6, Built-in warming drawer, 14 cm,
Stainless steel
BIC510NS0B**



Compact ovens with an appliance height of 455 mm can be installed above a warming drawer. An intermediate floor is not required.

measurements in mm



measurements in mm