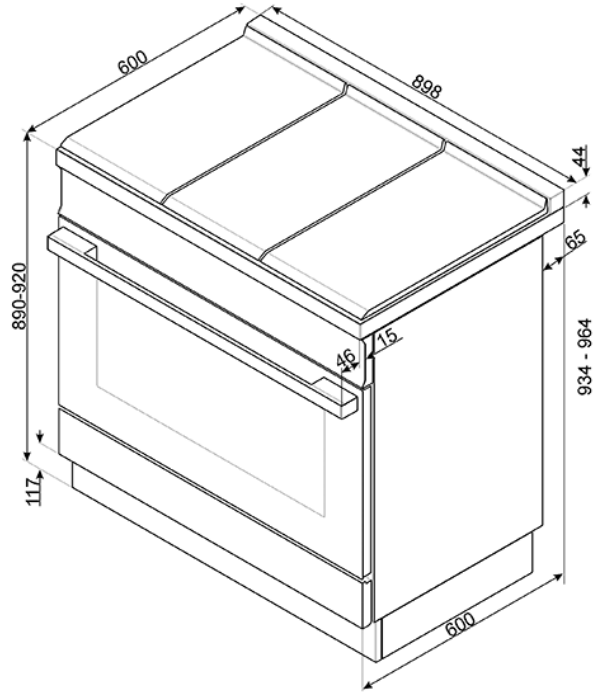


PORTOFINO COOKER, 90X60 CM, YELLOW,
INDUCTION HOB, ENERGY RATING A+
EAN13: 8017709240783



• [As awarded by The Chicago Athenaeum: Museum of Architecture and Design](#) • **Programs / Functions** • N. of cooking functions: 10 • **Cleaning functions: Pyrolysis/Pyrolysis Eco** • Automatic programmes: 20 • Other functions: Defrost by time, Defrost by weight, Proving, Sabbath • **Aesthetics** • Door: With frame • Upstand: yes • Command panel finish: Enamelled metal • Display: LCD • Glass type: Grey • Plinth: Black • Storage compartment: Push pull • **Hob technical features** • Hob type: Induction • Total no. of cook zones: 5 • Front left - Induction - single - 1400 W - Ø 14.5 cm • Rear left - Induction - single - 1850 W - Ø 18.0 cm • Central - Induction - single - 2600 W - Ø 27.0 cm • Rear right - Induction - single - 2300 W - Ø 21.0 cm • Front right - Induction - single - 1400 W - Ø 14.5 cm • **Main Oven Technical Features** • Type of main oven: Thermo-ventilated • Gross capacity (Lt) oven 1: 126 • Cavity material: Ever Clean enamel • Usable volume, first cavity: 115 litres • No. of shelves: 5 • Type of shelves: Metal racks • No. of lights: 4 • Fan number: 3 • Cooking time setting: Start and Stop • Removable door • Full glass inner door • Removable inner door • Total no. of door glasses: 4 • Safety Thermostat • Cooling system: Tangential • Door Lock During Pyrolysis • Grill element: 1700 W • Grill type: Electric • Large grill - Power: 2900 W • Soft Close: Yes • **Options Main Oven** • Timer • End of cooking acoustic alarm • Minimum Temperature: 50 °C • Maximum temperature: 260 °C • **Accessories included for Main Oven & Hob** • Scraper: 1 • Rotisserie: 1 • TOP Oven grid with back stop: 2 • Grill mesh: 1 • 40mm deep tray: 2 • Telescopic Guide rails, partial Extraction : 1 • **Electrical Connection** • Electrical connection rating: 11400 W • Current: 50 Amp • Voltage: 220-240 V • Voltage 2 (V): 380-415 V • Frequency: 50/60 Hz

Functions



Main Oven

Options

• KITC9X9-1 - Stainless steel splash back • GT1T-2 - Totally extractable telescopic guides, 1 level • PALP - Pizza shovel • PPR9 - Pizza stone • PAL2 - Large Pizza shovel with double handle

Versions

• CPF9IPAN - Anthracite • CPF9IPBL - Black • CPF9IPOG - Olive Green • CPF9IPOR - Orange • CPF9IPR - Red • CPF9IPWH - White • CPF9IPX - Stainless steel