

# CPR915N

Product Family	Drawer
Commercial height	14 cm
Type	Warming/reheat



## Aesthetics

Aesthetics	Victoria	Material	Painted material
Colour	Black	Logo	Silk screen
Finishing	Gloss Black	Logo position	Inside

## Controls

Type of control setting	Control knobs	Control knobs	Standard
Type of temperature control	Electro-mechanic	Controls colour	Steel effect
No. of controls	1		

## Program / Functions

Defrost	Yes
Proofing	Yes
Mug warmer	Yes
Keep warm	Yes
Dish warmer	Yes
Reheating	Yes

## Technical Features

Opening mechanism	Push-pull	Capacity	21 l
Base material	Stainless steel	Type of heating	Fan assisted
Max weight allowance	15 kg	Accessories included	Silicon antislip mat

---

**Maximum drawer loading weight** 85 kg

## Electrical Connection

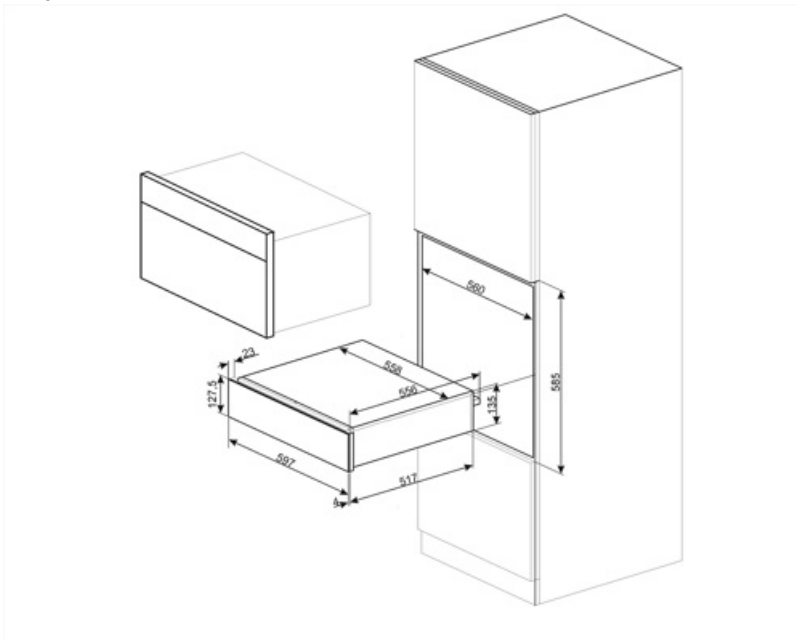
---

<b>Plug</b>	(F;E) Schuko	<b>Voltage (V)</b>	220-240 V
<b>Nominal power</b>	400 W	<b>Frequency (Hz)</b>	50-60 Hz
<b>Current</b>	2 A		

## Logistic Information

---

<b>Width (mm)</b>	597 mm	<b>Product Height (mm)</b>	135 mm
<b>Depth (mm)</b>	538 mm		



---

## Not included accessories

---

**KITCABLE90UK**

Cable with IEC connector and UK plug

---

## Benefit

---

### **Steel base**

Presence of non-slip silicone mat; removable and useful for placing dishes without them slipping, to avoid soiling the base of the drawer and to prevent scratches.

### **Push-pull door opening**

Effortlessly open and close the drawer with a simple push mechanism

### **Functions available**

Select functions directly from the control knob: keep warm, reheating, defrost, dish warmer, proofing and mug warmer