

CPR915P

Product Family Drawer
 Commercial height 14 cm
 Type Warming/reheat



Aesthetics

| | | | |
|-------------------|----------|----------------------|------------------|
| Aesthetics | Victoria | Material | Painted material |
| Colour | Cream | Logo | Silk screen |
| Finishing | Matte | Logo position | Inside |

Controls

| | | | |
|------------------------------------|------------------|------------------------|--------------|
| Type of control setting | Control knobs | Control knobs | Standard |
| Type of temperature control | Electro-mechanic | Controls colour | Steel effect |
| No. of controls | 1 | | |

Program / Functions

| | |
|--------------------|-----|
| Defrost | Yes |
| Proofing | Yes |
| Mug warmer | Yes |
| Keep warm | Yes |
| Dish warmer | Yes |
| Reheating | Yes |

Technical Features

| | | | |
|-----------------------------|-----------------|-----------------------------|----------------------|
| Opening mechanism | Push-pull | Capacity | 21 l |
| Base material | Stainless steel | Type of heating | Fan assisted |
| Max weight allowance | 15 kg | Accessories included | Silicon antislip mat |

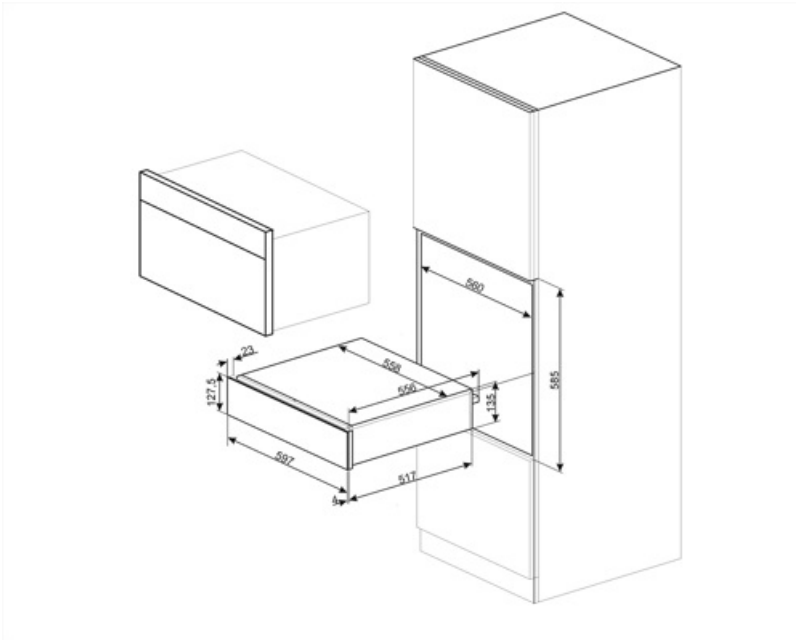
Maximum drawer loading weight 85 kg

Electrical Connection

| | | | |
|----------------------|--------------|-----------------------|-----------|
| Plug | (F;E) Schuko | Voltage (V) | 220-240 V |
| Nominal power | 400 W | Frequency (Hz) | 50-60 Hz |
| Current | 2 A | | |

Logistic Information

| | | | |
|-------------------|--------|----------------------------|--------|
| Width (mm) | 597 mm | Product Height (mm) | 135 mm |
| Depth (mm) | 538 mm | | |



Not included accessories

KITCABLE90UK

Cable with IEC connector and UK plug

Benefit

Steel base

Presence of non-slip silicone mat; removable and useful for placing dishes without them slipping, to avoid soiling the base of the drawer and to prevent scratches.

Push-pull door opening

Effortlessly open and close the drawer with a simple push mechanism

Functions available

Select functions directly from the control knob: keep warm, reheating, defrost, dish warmer, proofing and mug warmer