

N 30, WALL-MOUNTED COOKER HOOD, 60 CM,
CLEAR GLASS BLACK PRINTED
D631DK1S0B



Optional accessories

Z51GIA1X3	Standard odor filter (replacement)
Z51GIU1X3	Standard recirculation kit

The Inclined Hood with low-noise motor and Touch Control for an odor- and noise-free kitchen.

- ✓ Reduced Noise: the low-noise motor makes it possible to listen to your own kitchen story
- ✓ Intensive speed setting: increases the extraction rate when the steam gets intense
- ✓ TouchControl: thanks to the integrated flat surface of the control panel, adjustments can be easily made with just one finger
- ✓ LED Lighting – Clear illumination while you cook.

Features

Technical Data

Typology:	Wall-mounted
Length of electrical supply cord:	150.0 cm
Height of the appliance:	375 mm
Minimum distance above an electric hob:	450 mm
Minimum distance above a gas hob:	650 mm
Net weight:	11.1 kg
Type of control:	Electronic
Maximum output air extraction:	430 m ³ /h
Boost position output recirculating:	550.0 m ³ /h
Maximum output recirculating air:	445 m ³ /h
Boost position air extraction:	550 m ³ /h
Number of lights (Stck):	2
Noise level:	60 dB(A) re 1 pW
Diameter of air outlet:	150 mm
Grease filter material:	Washable aluminium
EAN code:	4242004273318
Connection rating:	223 W
Fuse protection:	4 A
Voltage:	220-240 V
Frequency:	50 Hz
Plug type:	GB plug
Installation type:	Wall-mounted



N 30, WALL-MOUNTED COOKER HOOD, 60 CM,
CLEAR GLASS BLACK PRINTED
D63IDK1SOB

Features

Design:

- Inclined glass common design
- wall-mounted
- Black glass
- Suitable for ducted extraction and recirculation
- For recirculated extraction recirculating kit (accessory) needed

Core Features:

- Capacitor motor
- 2 x LED lights
- Colour Temperature: 4000 K
- Light Intensity: 127 lux
- 1 metal grease filter(s).

Comfort Features:

- Electronic control via Touch control, backlighted
- 3 speeds plus intensive
- Automatic reset from intensive to normal setting after 5 min.
- Saturation indicator for metal and charcoal filter

Cleaning Comfort:

- Large opening angle of the glass plate with locking function for an easy filter accessibility and easy cleaning.
- Easy to clean smooth surfaces and materials.
- metal grease filter dishwasher-safe

Performance Exhaust:

- According to EN 61591 and EN/ IEC 60704-2-13 your appliance can achieve the following values in exhaust mode: Speed 1: extraction rate 220 m³/h; noise level 46 dB (A) re1pW Speed 2: extraction rate 315 m³/h; noise level 53 dB (A) re1pW Speed 3: extraction rate 430 m³/h; noise level 60 dB (A) re1pW Intensive 1: extraction rate 550 m³/h; noise level 65 dB (A) re1pW

Performance Recirculation:

- According to EN 61591 and EN/ IEC 60704-2-13 your appliance can achieve the following values in recirculation mode with standard recirculation kit (available as optional accessory): Speed 1: extraction rate 215 m³/h; noise level 51 dB (A) re1pW Speed 2: extraction rate 300 m³/h; noise level 61 dB (A) re1pW Speed 3: extraction rate 445 m³/h ; noise level 69 dB (A) re1pW Intensive Speed 1: extraction rate 550 m³/h; noise level 72 dB (A) re1pW

Technical Information and Sustainability:

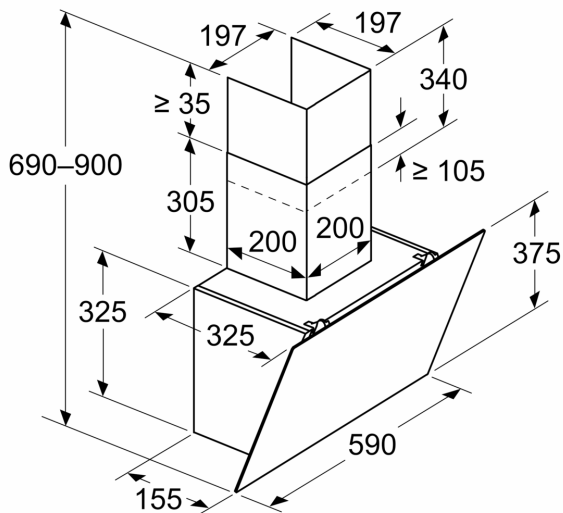
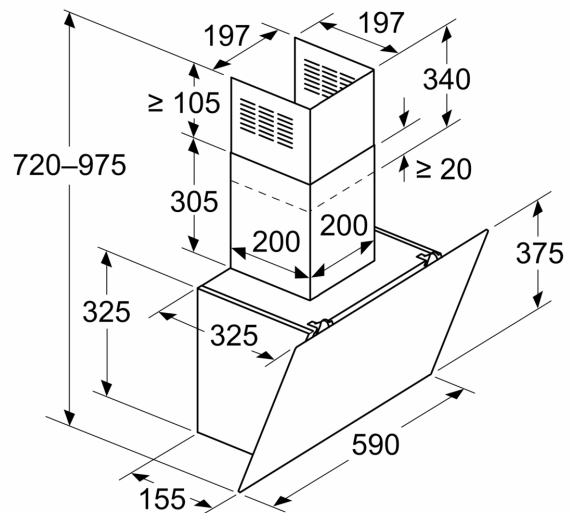
- Consumption data:
- Energy Efficiency Class: A (at a range of energy efficiency classes from A+++ to D)
- Average Energy Consumption: 43.8 kWh/year*
- Blower Efficiency Class: A*
- Lighting Efficiency Class: A*
- Grease Filtering Efficiency Class: E*
- Power rating: 223 W
- Voltage: Nominal voltage: 220 - 240 V

Planning and Installation Information:

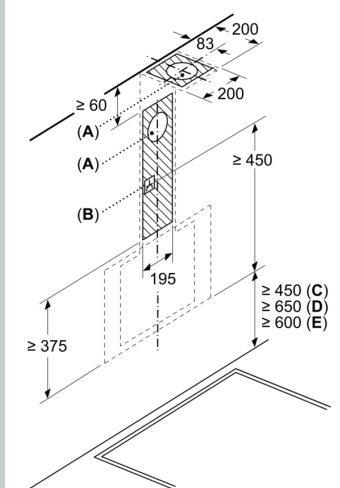
- Dimensions exhaust air (HxWxD): 690-900 x 590 x 325 mm
- Dimensions recirculating (HxWxD): 720-975 x 590 x 325 mm
- Diameter pipe Ø 150 mm (Ø 150 mm enclosed)
- Electrical cable length 1.5 m
- Back-pressure flap: Yes

N 30, WALL-MOUNTED COOKER HOOD, 60 CM,
CLEAR GLASS BLACK PRINTED
D631DK1SOB

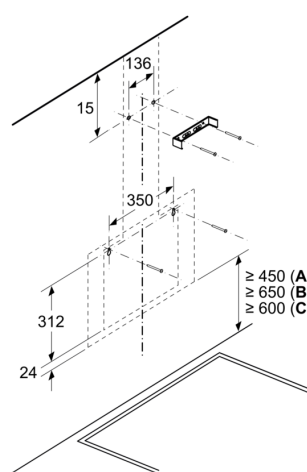
Dimensioned drawings

**Measurements in mm
Appliance in exhaust air mode**

**Measurements in mm
Appliance in circulated air mode**


Measurements in mm



- A: Exhaust-air outlet
- B: Socket
- C: Electric
- D: Gas - from upper edge of pan support
- E: Electric - for Australia and New Zealand

 Measurements in mm
Wall installation with chimney


- A: Electric
- B: Gas - from upper edge of pan support
- C: Electric - for Australia and New Zealand

Dimensioned drawings

