



Downdraft Hood Instruction Manual

DD606BK



Contact Caple on 0117 938 7420 for spare parts or www.caple.co.uk

CONTENTS

Safety Instructions	3
Dimensions	7
Installing the Extractor	8
Grease Filter Removal, Installing the Activated Charcoal Filter	13
Electrical Connection	14
Operating the Downdraft Extractor	16
Cleaning the Extractor	19
Troubleshooting	20
Aftersales Service	21
Caple Contact Details	24

INTRODUCTION

This downdraft extractor is designed to work in both recirculation mode and ducted with outside evacuation.

WARNING

Keep these instructions for use with the appliance. If the appliance should be sold or passed on to others, make sure that the instructions are passed on with it. We thank you for taking note of these suggestions before installing and using the appliance. They have been written for your personal safety and the safety of others.

SAFETY INSTRUCTIONS

This hood has been designed for personal use in the home. The appliance must be used by adults. Make sure that the appliance is out of reach of children and that they do not use it to play with. Make sure that children do not operate the controls.

- When the appliance is delivered, check the overall appearance of the packaging.
- Any remarks should be written on the delivery note, of which you keep a copy. Your appliance is designed for normal domestic use. It is not designed for commercial or industrial use, or for purposes other than those for which it was designed.

- Any consequences of or damage from incorrect installation or incorrect use of the appliance will not be covered by the manufacturer's guarantee.
- Do not ever change or try to change the characteristics of this appliance. This would be a danger. Repairs must be performed only by an authorised Caple engineer.
- Always disconnect the hood before carrying out cleaning or maintenance operations.
- Adequately ventilate the room when a cooker hood and other appliances, powered by energy other than electricity, are used simultaneously, so that the hood does not suck any-combustion fumes.
- Do not cook food over open flames (flambé) or operate gas hobs without pots or pans on them while using the hood (the flames may get sucked into the hood causing damage to the appliance).
- Frying whilst using this extractor must be done under constant supervision as hot oils and fats may ignite.
- Respect the guidelines for cleaning and replacement of grease filters. Accumulated deposits of grease are a fire hazard.
- This appliance must not be used near hobs powered by wood or coal or in any case, near hobs with power levels that could damage the appliance.
- Never use steam or high pressure devices for cleaning your hood (regulations regarding electrical safety).

- Never use the cooker hood without the grease filters fitted.
- The minimum distance between the Downdraft extractor (closed) and the surface above must be at least 400mm.
- When handling the Downdraft, never put your hands in the field of action of the extractable unit. Do not touch any moving parts.

We are constantly seeking to improve our products, we reserve the right to modify their technical, functional, or aesthetic characteristics deriving from their upgrading.

In the event a downdraft is installed with an external motor, for normal downdraft operation, it is necessary to use an external motor made by Caple.

The air collected must not be conveyed into a flue used for smoke or fumes from appliances powered by anything other than electricity (central heating systems, etc.). As far as discharging exhaust air is concerned, please follow the guidelines given by competent authorities.

There must be a minimum space of 50mm between the edge of a gas hob and the downdraft frame.



ENVIRONMENTAL PROTECTION

Waste electrical products should not be disposed of with household waste. Please recycle where facilities exist. Check with your Local Authority or retailer for recycling advice. This appliance is marked according to the European directive on Waste Electrical and Electronic Equipment (WEEE).

By ensuring this product is disposed of correctly, you will help prevent potential negative consequences for the environment and human health, which could otherwise be caused by inappropriate waste handling of this product. The symbol on the product indicates that this product may not be treated as household waste. Instead it shall be handed over to the applicable collection point for the recycling of electrical and electronic equipment. Disposal must be carried out in accordance with local environmental regulations for waste disposal.

For more detailed information about treatment, recovery and recycling of this product, please contact your local council, your household waste disposal service or the retailer where you purchased the product.

WARRANTY

Your new appliance is covered by warranty. The warranty card is enclosed - if it is missing, you must provide the following information to your retailer in order to receive a replacement: date of purchase, model and serial number. Registration can also be completed online by visiting www.caple.co.uk.

Ensure you keep your warranty card safe, you may need to show it to Caple Service together with proof of purchase. If you fail to show your warranty card you will incur all repair charges.

Spare parts are only available from Caple Service and spare parts authorised centres.

CE DECLARATIONS OF CONFORMITY



This appliance has been manufactured to the strictest standards and complies with all applicable legislation, Low Voltage Directive (LVD) and Electromagnetic Compatibility (EMC).

UKCA DECLARATIONS OF CONFORMITY

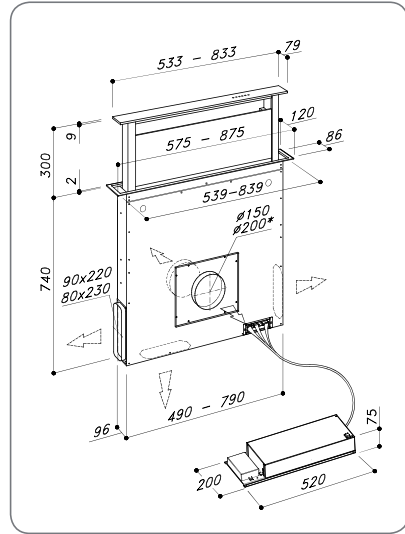
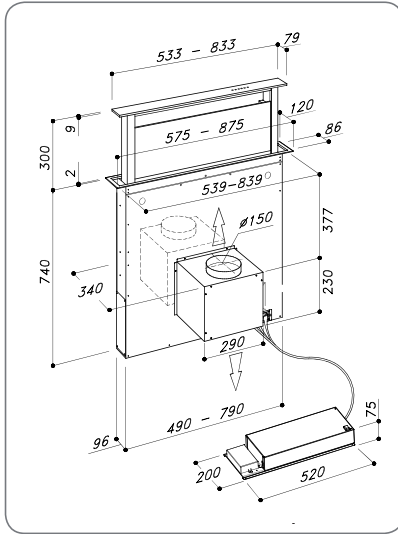


This appliance has been manufactured to the strictest standards and complies with all applicable legislation.

TECHNICAL FICHE

This appliance conforms to all current and applicable energy regulations. To view the Technical Fiche that supports the energy labelling data, please visit the product page on our website www.caple.co.uk.

DIMENSIONS



NOTE:

The Downdraft worktop cutout can be connected to the hob cutout, but only for electric hobs.

For gas hobs, a minimum 50mm gap must be left between the edge of the gas hob and the downdraft frame.

INSTALLING THE EXTRACTOR

1. Before carrying out the appliance installation, please check that all components are not damaged, in such a case contact your retailer and do not carry out any installation operation. Before the installation of the Downdraft, please remove the safety piece you can see in the picture (Fig.1). Furthermore, please read carefully all of the following installation instructions.

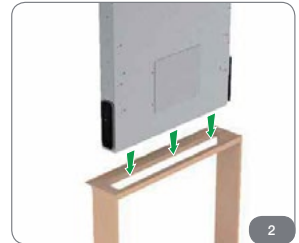


- › Use an air exhausting pipe whose maximum length does not exceed 5 meters.
- › Do not use flexible ducting.
- › Limit the number of elbows in the piping, since each elbow reduces the air capacity of 1 linear meter.
(eg. if you use no. 2 x 90° elbows, the length of piping should not exceed 3 meters).
- › Avoid abrupt direction changes.
- › Use a 150mm constant diameter rigid ducting pipe for the whole length (or equal surface area).
- › Only use ducting approved by the standards in force.

The manufacturer shall not be deemed responsible for air capacity or noise problems caused by failure to comply with the above instructions and no warranty on the product shall be provided.

2. Before making the hole, check that there are no structural or other parts inside the cabinet, where the appliance is to be placed, which could hinder a proper installation. Check that the dimensions of the Downdraft and the ones of the hob are compatible with the cabinet so that the installation can be carried out properly.
3. Make a rectangular opening in the back part of the cook top (842x100mm for the 90cm model and 542x100mm for the 60cm model).

- Put the Downdraft in the opening, inserting it from above as shown in (Fig. 2).

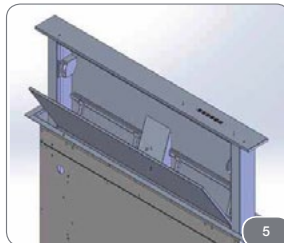
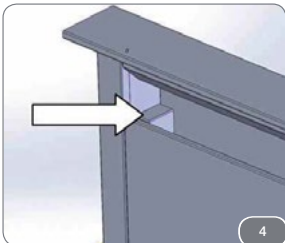


- Fix the downdraft inside the cabinet, using the special fixing brackets supplied with the product (Fig. 3). Insert the brackets in the lower side of the downdraft (Fig. 3), in such a way that there is a 2mm distance between the lower side of bracket and the bottom of the cabinet (Fig. 3).

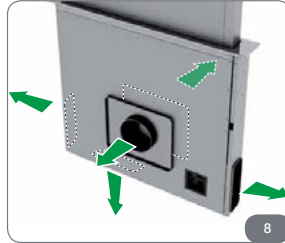
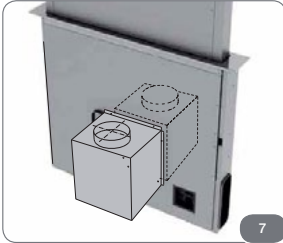


This distance will allow the traction to be positioned downwards of the product, at the moment of fixing, in order to have the stainless steel trim perfectly adhering with the work surface. Before inserting the screws, please make sure that the appliance is perfectly perpendicular with the work surface.

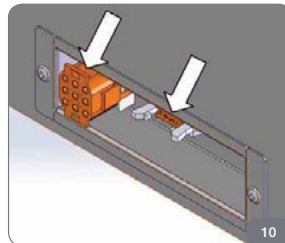
- Once the installation is complete and after connecting the appliance to the mains power, lift up the downdraft and remove the door block (Fig. 4); then open the door (Fig. 5) and fit the filters in place (Fig. 6). In the version of the Downdraft using the DDMEXT11, install the power unit orienting the air outlet to the desired position, either downwards or upwards (Fig. 7). The motor can be installed either on the front or rear side of the downdraft. After having installed the motor, then connect the air ducts.



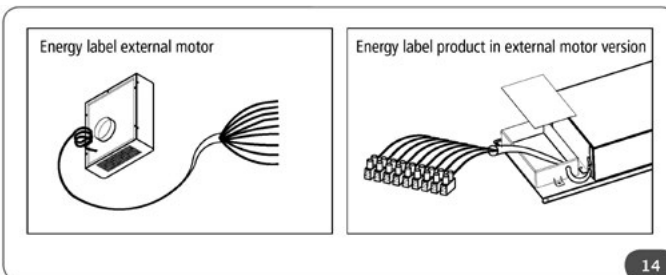
- For versions using an external motor, place the external motor in a suitable area and fit the exhaust air flue as illustrated. Then fit the air outlet ducts between the external motor and the downdraft. Select an air outlet from the five possibilities (Fig. 8) and fit the union supplied with the appliance.



- Place the metal box containing the wiring in an easily accessible area to allow maintenance interventions where necessary (Fig.9). Connect the connectors (9-pole connector) to control the actuator and safety control and button pad connector (Fig. 10).



Connect the internal or external motor cable to the terminal board found inside the plastic box on the downdraft wiring. When performing the electrical connection, take care to respect the colours of the electrical wires and connect it correctly (Fig 14).



EXTRACTION OPTIONS

This appliance is intended to suck cooking fumes, greases and small amounts of steam. It has been designed to work in both a ducted mode with outside evacuation and recirculating mode (using charcoal filters).

DUCTED - OUTSIDE DISCHARGE VERSION

The cooker hood can be mounted in the version with outside discharge for extracted air: in this case it is necessary to connect the ducting/exhausting channel to the outside (exhausting pipes are not supplied with the products). Unblock the motor non-return valve if required.

WARNING:

Before connecting the air exhaust hose, make sure that the motor non-return valves can rotate freely.

In case of outside air discharge installation, fit a non-return valve to prevent wind and back air from entering.

RECIRCULATION MODE

In case fumes and vapour cannot be evacuated outside, the appliance can also be used in recirculation mode.

Activated charcoal filters are required for this type of installation (the DD606BK requires CAP27CF).

Air recycled through the charcoal filters is recirculated into the kitchen, due to a duct conveying the air beneath the cabinet. Air can be vented either through a 5mm slot around the whole plinth (Fig 11a) or through a plinth grille (Fig 11b).

NOTE:

Universal plinth grille (GRILL/SENSE600) can be purchased at www.caple.co.uk

Fig 11a

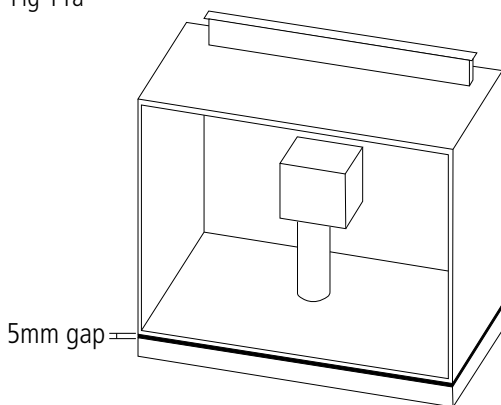
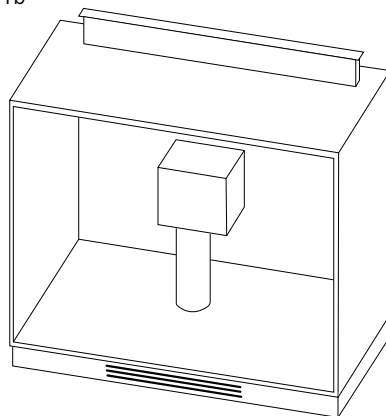


Fig 11b



CAUTION:

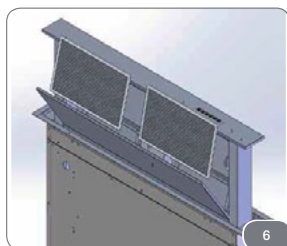
The installation must comply with the regulations in force regarding the ventilation of enclosed environments. In particular, discharged air must not be conveyed into a duct used for fumes discharge or discharge from appliances using gas or other combustible materials. The use of discontinued ducts is not allowed without the approval of a qualified technician.

GREASE FILTER REMOVAL, INSTALLING THE CHARCOAL FILTERS

The removal and fitting of the grease and charcoal filters need to be carried out with the downdraft in the open position. To open the downdraft, push the '1' key. Then remove the front panel, pushing the upper part of each side at the same time. The panel will drop forwards to make it possible to access the grease filters (Fig. 6). Remove the grease filters to access the charcoal filters (Fig. 12). The replacement of the charcoal filters has to be carried out accordingly to the effective use of the Downdraft, and in any case they should be replaced at least once every 6 months.

NOTE:

Replacement filters (CAP27CF) can be purchased at www.caple.co.uk. After having replaced the filters, reinstall the front stainless steel panel, otherwise the Downdraft is not enabled to function.



ELECTRICAL CONNECTION

WARNING:

Place the metal box containing the electronic components at a distance of no less than 65cm from gas operated hobs or in any case, 65cm from the suctioning surface of the cooker hood.

NOTE:

We recommend installing the metal box containing the electronic components at least 10cm above floor level and at a suitable distance from all heat sources (e.g. ovens or hobs).

CAUTION:

This appliance is fitted with an H05 VVF 3 conductor, 0.75mm² (neutral, phase, and ground) power cord.

This can be connected up to a 220 - 240 V monophasic electrical network through a CEI 60083 approved power socket, which must remain accessible after installation, in compliance with installation regulations. We decline any responsibility in case of accidents caused by a lack of ground connection or incorrect ground connection. The appliance must be fed through a differential protection device (RCD), with a nominal residual current not exceeding 30mA. If the power cord is damaged, call the Caple after-sales service to avoid any risk.

WARNING:

- › The downdraft connection to the electrical network must be carried out only by professional and qualified technicians.
- › The downdraft must be connected to a properly installed and suitable electrical network.
- › The electrical system must comply with VDE0100 standard.

DANGER:

If the cooker hood presents any anomaly, disconnect the appliance or remove the fuse corresponding to the appliance power disconnecting line. If the appliance has no plug or if the plug is not easily accessible, then a device needs to be fitted to cut it off from the electric network; this device must have an opening distance between contacts on all poles of at least 3mm.

ELECTRICAL CONNECTION

While installing the appliance and carrying maintenance operation, make sure it is disconnected from the electrical network or the fuses are cut out or removed.

Check that:

- › Power is enough.
- › Feeder lines (mains) are in good condition.
- › The cable diameter complies with installation regulations.

OPERATING THE DOWNDRAFT EXTRACTOR



OFF KEY

This serves to close the extraction panel either completely from any position that is more than 180mm from the hob. When the extraction panel is being closed, it will remain in operation until it reaches 180mm above the hob. Below this height, the extraction function will switch off automatically.



(-) KEY

Reduces the speed of the extraction motor. This button only works when the height of the extraction panel is more than 180mm from the hob.

INDICATORS

Indicates the chosen level of extraction speed.



(+) KEY

This serves to bring the extraction panel up to a maximum height of 300mm and to automatically set the first extraction speed when the panel reaches a height of 180mm. Pressing the button again after 180mm is reached, will increase the extraction speed.



TIMER

10 minutes after pressing this button and setting the function, it serves to stop the extractor motor and close the carriage.

OTHER FUNCTIONS:

AUTOMATIC TURN OFF

After 4 hours of continuous use from the last function selected, the appliance turns off and closes automatically.



GREASE FILTERS SATURATION

After 30 hours of working, the speed indicators "D" will all flash simultaneously, signalling the grease filters saturation. To reset this alarm, hold down the "TIMER" button for at least 3 seconds, while the carriage is open.

DOWNDRAFT CALIBRATION

Having installed the downdraft, it is necessary to start the calibration procedure, which is aimed at adjusting the extraction strength of the filtering unit.

Connect the product to the power supply, making sure that it is conformed to the supply voltage indicated on the technical data label.

Push the  button and the aspiration panel rises. After it has reached a height of 180mm from the hob press  to stop the extraction. Press  and after 2 sec. the  button.

The downdraft will carry out the calibration of its aspiration panel rising and retracting for some centimetres. During this phase, the buttons on the push button control panel flash. At the end of the calibration, the aspiration panel returns to the previous position and the buttons stop flashing. Wait until the aspiration panel stops moving before re-activating the extraction.

WARNING:

This operation has to be carried out by a specialised technician.

SAFETY SYSTEM

If there is an obstacle present while the extractable unit is closing, the Downdraft stops closing and rises again thanks to a security system to prevent harm.

TIMING


- › This product is equipped with intelligent electronics which include a timer device for speed controls when the air capacity exceeds 650m³/h. Internal motor models, with maximum air capacity higher than 650m³/h, are equipped with a timer device that automatically switches the speed from 4th to 3rd speed, after 6 minutes operation.
- › External motor models are equipped with remote motors that, as for internal motor versions, include a timer device that switches down the speed when it exceeds 650m³/h. (See External Motors Instructions). Remote motors, whose air capacity exceeds 650m³/h at both 4th and 3rd speed, will have the following by default timer control functions: The speed is automatically switched from 4th to 2nd speed, after 6 minutes operation.
- › If the appliance is working at 3rd speed, it is automatically switched to 2nd speed, after 7 minutes operation. Operation speeds can also be changed during operation. The energy consumption of the appliance in standby mode is lower than 0.5W.

CLEANING THE EXTRACTOR

Careful maintenance helps to ensure the correct operation and good performance over time.

CAUTION:

The hood must be disconnected from the electrical network, both by unplugging the appliance from the socket and activating the magnetic circuit breaker (safety cut-out), before removing the metal grease filters. After cleaning, replace the metal grease filters as outlined in the installation instructions.

MAINTENANCE	HOW TO PROCEED?	ACCESSORY PRODUCTS TO USE
External surfaces and accessories	Do not use metallic scrubbers, abrasive products, or hard brushes.	To clean the external surfaces of the cooker hood and the light housing screen use only commercially available household detergents diluted in water. Then rinse with clean water and dry with a soft cloth.
Grease filter with extractable unit open	After 30 hours of operation, the downdraft will signal the grease filter saturation. The saturation is signalled by the blinking of the 4 central LED's. To reset, hold down the timer button  for at least 3 seconds, while the carriage is open.	The grease filters can be washed by hand or in the dishwasher. These filters need to be cleaned on a regular basis, because otherwise they may represent a fire risk. Refit the grease filters and front panel, making sure that the panel is properly fitted at the sides, otherwise it may cause the downdraft to stop operating.
Active charcoal filter	In the recirculation mode, the active charcoal filter must be replaced periodically. To remove the charcoal filter first remove the grease filter and then pull the plastic key of the panel itself, in order to disengage it from its seating. Follow these steps in reverse order to insert the active charcoal filter. Replace the used charcoal filter on an average of every six months.	

TROUBLESHOOTING

PROBLEM	SOLUTION
The downdraft does not work	Check that: <ul style="list-style-type: none"> » There is not a power outage. » A specific speed has actually been selected. » The red reset key, found over the electrical system box, is pushed. » Make sure that the wires of the 9 pole connection are inserted properly in the connector itself (during the connection phase, an excessive pressure could bend the contacts).
The downdraft has low performance	Check that: <ul style="list-style-type: none"> » The motor speed selected is sufficient for the quantity of fumes and vapours present in the room. » The kitchen is ventilated well enough to allow air for intake. » The charcoal filter is not worn out. (Filtering version cooker hood). » The air outlet channel is free and compliant with paragraph no.2. » The non-return valves of the suctioning unit are free to rotate.
The downdraft stops in the middle of operation.	Check that: <ul style="list-style-type: none"> » There is not a power outage. » The omnipolar device has not tripped.

AFTER SALES SERVICE

Any maintenance operation on your appliance should be carried out by:

- › Either your retailer;
- › Or another Caple approved engineer or similar qualified person.

If a problem still persists and further assistance is required, please contact our Caple after sales team on:

T - 0117 938 7420

E - service@caple.co.uk

NOTE:

When contacting Caple Service, please provide the appliance details shown on the appliance labels. This information is stated on the rating label and the production date is placed on the lower side of the downdraft.



NOTES:

NOTES:



Caple Service	BS11 8DW
Fourth Way	T: 0117 938 1900
Avonmouth	E: service@caple.co.uk
Bristol	www.caple.co.uk