



Downdraft Extractor Instruction Manual

DD901BK



Contact Caple on 0117 938 7420 for spare parts or www.caple.co.uk

CONTENTS

Introduction	3
Safety Instructions and Warnings	4
Installation	8
Electrical Connection	16
Operating the Downdraft Extractor	19
Other Functions	21
Care and Maintenance	22
Troubleshooting	23
After Sales Service	24
Caple Contact Details	28

INTRODUCTION

Thank you for choosing this Caple downdraft extractor.

To ensure that you get the best results from your new downdraft extractor, we strongly suggest that you read this instruction manual thoroughly before use. If treated with care, your Caple product should give you years of trouble-free use.

To register ownership, please ensure you complete and return the guarantee card supplied with the appliance or visit www.caple.co.uk and register here.

This instruction manual is designed to provide you with all the required information related to the installation, use and maintenance of the appliance.

This downdraft extractor is designed to extract unpleasant odours and cooking vapours from the kitchen. In order to operate the unit correctly and safely, please read this instruction manual carefully before installation and use.

Please read this manual carefully before using your appliance. It contains important safety advice; it explains how to use and look after your appliance so that it will provide you with many years of reliable service.

Should a fault arise, please first consult the "Troubleshooting" section. You can often rectify minor problems yourself, thus saving unnecessary service costs.

Please keep this manual in a safe place and pass it on to new owners for their information and safety.

SAFETY INSTRUCTIONS AND WARNINGS:

- These hoods have been designed for personal use in the home. The appliance must be used by adults. Make sure that the appliance is out of reach of children and that they do not use it to play with. Make sure that children do not operate the controls.
- When the appliance is delivered, check the overall appearance of the packaging and the product, to ensure there is no damage.
- Any damage should be reported to your retailer straight away.
- Your appliance is designed for normal domestic use. It is not designed for commercial or industrial use, or for purposes other than those for which it was designed.
- Any consequences of or damage from incorrect installation or incorrect use of the appliance will not be covered by the manufacturer's guarantee.
- Do not ever change or try to change the characteristics of this appliance. This would be a danger. Repairs must be performed only by an authorised technician.
- Always disconnect the hood before carrying out cleaning or maintenance operations.
- Adequately ventilate the room when a cooker hood and other appliances, powered by energy other than electricity, are used simultaneously, so that the hood does not suck any combustion fumes.

- It is not allowed to cook food over open flames (flambé) or operate gas hobs without pots or pans on them under the hood itself (the flames sucked into the hood might damage the appliance).
- Frying near the appliance must be done under constant supervision as hot oils and fats may ignite.
- Respect the guidelines for cleaning and replacement of grease filters. Accumulated deposits of grease are a fire hazard.
- This appliance must not be used over cook tops powered by wood or coal or in any case, over cook tops with power levels that could damage the appliance.
- Never use steam or high-pressure devices for cleaning your hood (regulations regarding electrical safety).
- Never use the cooker hood without the grease filters.
- The minimum distance between the Downdraft (closed) and the surface above it must be at least 200mm.
- When handling the downdraft, never put your hands in the field of action of the extractable unit.
- There must be a minimum space of 50mm between the edge of a gas hob and the downdraft frame.
- Constantly seeking to improve our products, we reserve the right to modify their technical, functional, or aesthetic characteristics deriving from their upgrading.
- In the case of the version with external motor, for normal downdraft operation, it is necessary to use a suctioning unit (external motor) made by the same manufacturer.

- The air collected must not be conveyed into a flue used for smoke or fumes from appliances powered by anything other than electricity (central heating systems, etc.). As far as discharging exhaust air is concerned, please follow the guidelines given by competent authorities.
- This appliance is not intended for use by persons (including children) with reduced physical, sensory or mental capabilities, or lack of experience and knowledge, unless they have been given supervision or instruction concerning use of the appliance by a person responsible for their safety.
- Children should be supervised to ensure that they do not play with the appliance.

GENERAL INFORMATION ON THE DOWNDRAFT EXTRACTOR:

- It is designed to work in both vented mode, with outside evacuation, and recirculation mode.
- Keep these instructions for use with the appliance. If the appliance should be sold or passed on to others, make sure that the instructions are passed on with it. We thank you for taking note of these suggestions before installing and using the appliance. They have been written for your personal safety and the safety of others.



ENVIRONMENTAL PROTECTION

Waste electrical products should not be disposed of with household waste. Please recycle where facilities exist. Check with your Local Authority or retailer for recycling advice. This appliance is marked according to the European directive on Waste Electrical and Electronic Equipment (WEEE).

By ensuring this product is disposed of correctly, you will help prevent potential negative consequences for the environment and human health, which could otherwise be caused by inappropriate waste handling of this product. The symbol on the product indicates that this product may not be treated as household waste. Instead it shall be handed over to the applicable collection point for the recycling of electrical and electronic equipment. Disposal must be carried out in accordance with local environmental regulations for waste disposal.

For more detailed information about treatment, recovery and recycling of this product, please contact your local council, your household waste disposal service or the retailer where you purchased the product.

WARRANTY

Your new appliance is covered by warranty. The warranty card is enclosed - if it is missing, you must provide the following information to your retailer in order to receive a replacement: date of purchase, model and serial number. Registration can also be completed online by visiting www.caple.co.uk.

Ensure you keep your warranty card safe, you may need to show it to Caple Service together with proof of purchase. If you fail to show your warranty card you will incur all repair charges.

Spare parts are only available from Caple Service and spare parts authorised centres.

CE DECLARATIONS OF CONFORMITY



This appliance has been manufactured to the strictest standards and complies with all applicable legislation, Low Voltage Directive (LVD) and Electromagnetic Compatibility (EMC).

UKCA DECLARATIONS OF CONFORMITY



This appliance has been manufactured to the strictest standards and complies with all applicable legislation.

TECHNICAL FICHE

This appliance conforms to all current and applicable energy regulations. To view the Technical Fiche that supports the energy labelling data, please visit the product page on our website www.caple.co.uk.

INSTALLATION

Before carrying out the appliance installation, please check that all components are not damaged, in such a case contact your retailer and do not carry out any installation operation.

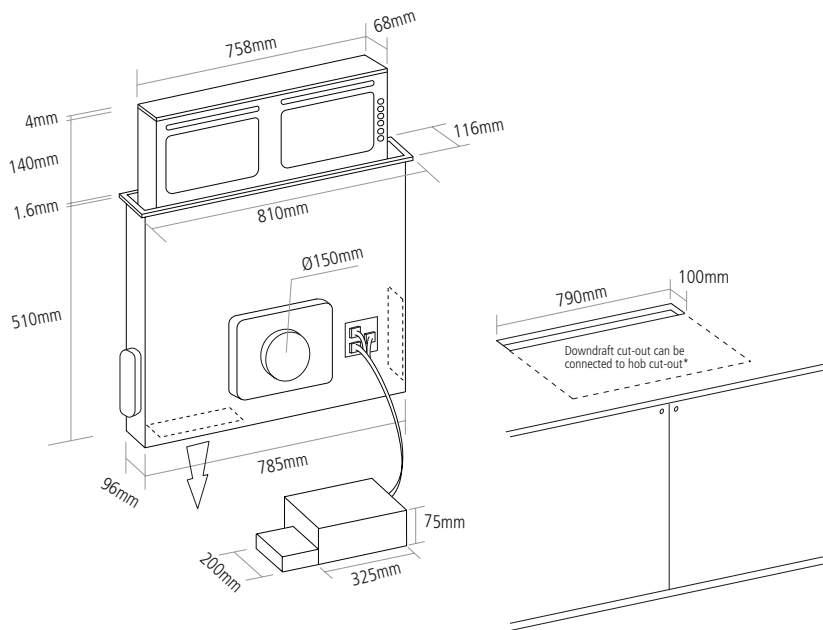
Before the installation of the Downdraft, please remove all of the packaging. Furthermore, please read carefully all of the following installation instructions.

- › Use an air exhausting pipe whose maximum length does not exceed 5 meters.
- › Limit the number of elbows in the piping, since each elbow reduces the air capacity of 1 linear meter.
(Eg: if you use no. 2 x 90° elbows, the length of piping should not exceed 3 meters).
- › Avoid abrupt direction changes.
- › Use a 150mm constant diameter pipe for the whole length.
- › Use piping approved by standards in force.

The manufacturer shall not be deemed responsible for air capacity or noise problems caused by failure to comply with the above instructions and no warranty on the product shall be provided.

Before making the worktop cut out, check that there are no structural interference or other parts inside the cabinet, where the appliance is to be placed, which could hinder a proper installation. Check that the dimensions of the Downdraft and the ones of the hob are compatible with the cabinet so that the installation can be carried out properly.

Make a rectangular opening, 790 x 100mm in size, at the back of the hob. In the version with the motor already installed, remove the screws and the suctioning unit in order to fit the downdraft in the opening made.



*For electric hobs only. Gas hobs will require a 50mm gap

Fit the Downdraft in the opening, by inserting it from above as shown in (Fig. 1).

Secure the downdraft inside the cabinet, by using the special fixing brackets supplied with the product (Fig. 2). Insert the brackets in the lower side of the downdraft, in such a way that there is a 3mm gap between the lower side of the bracket and the bottom of the cabinet (Fig. 3). This distance will allow to pull the appliance downwards during installation, in order to make the stainless steel frame perfectly adhere with the worktop. Before inserting the screws into the cabinet, please make sure that the appliance is perfectly perpendicular with the worktop.

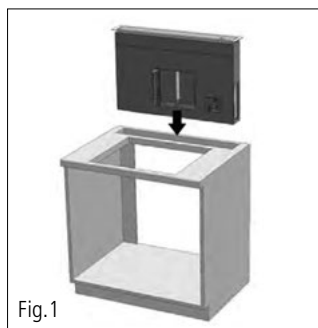


Fig.1

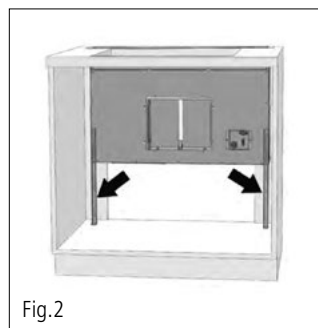


Fig.2

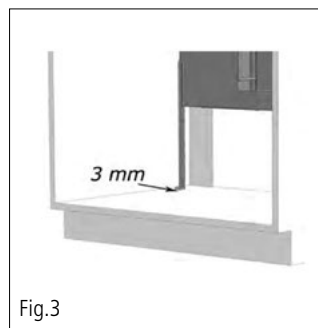


Fig.3

After completing installation and connecting the appliance to the power supply, lift the downdraft up by pressing on the top side, as shown in fig. 4.

Remove the felt protections as shown in fig. 14.

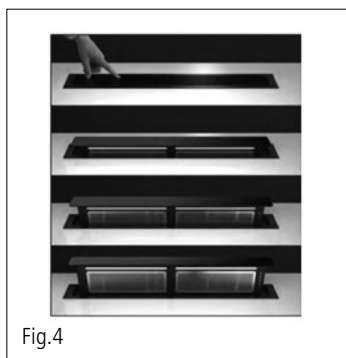


Fig.4

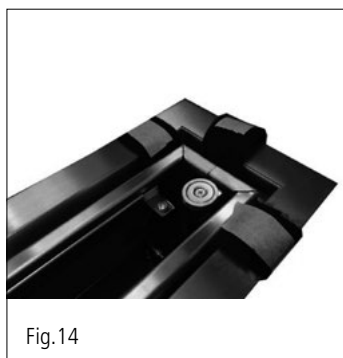
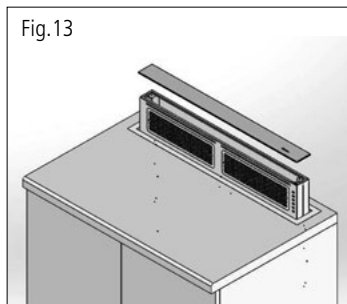
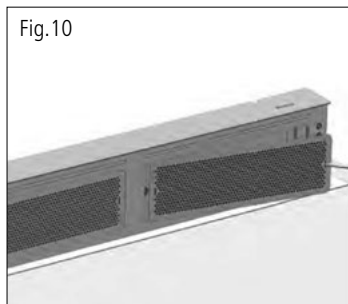


Fig.14

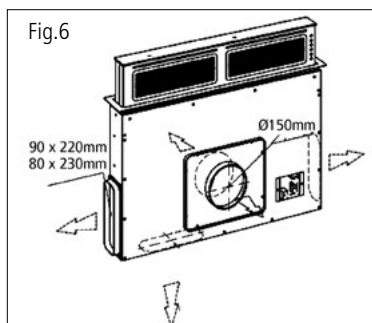
If the appliance is used in the recirculation mode, fit the charcoal filters (charcoal filters are not included and need to be ordered separately) and the grease filters (see fig. 10). Then fit the top glass by sticking the magnets into the specific seats (see fig. 13).



NOTE:

The top glass panel comes packaged separately and will need to be fixed onto the downdraft during installation.

If the Downdraft is equipped with an external motor, place the suctioning unit (external motor) in a suitable area and fit the exhaust air flue. Then fit the air outlet ducts between the external motor and the downdraft. Select the air outlet among the five available options (Fig. 6) and fit the spigot supplied with the appliance.



Place the metal box containing the electronic components in an easily reachable area for possible technical assistance operations. (Fig.7), by connecting the related connectors (fig. 8A).

Fig.7

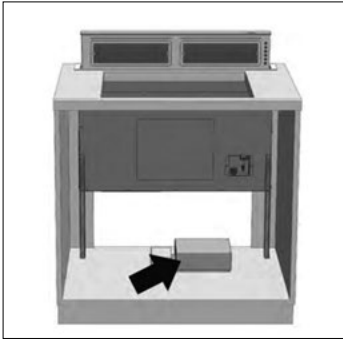
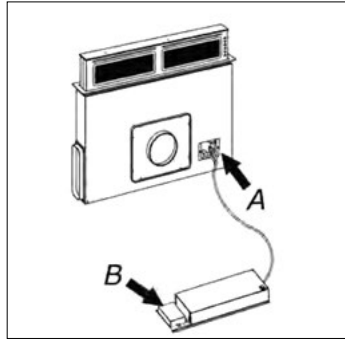


Fig.8



If the Downdraft is equipped with external motor, connect the motor unit cable to the specific terminal board found on the plastic box shown in Fig. 8B.

Power the downdraft.

HOW TO USE THE DOWNDRAFT

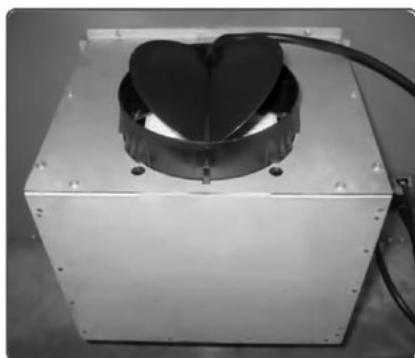
This appliance is intended to extract cooking fumes, greases and vapours. It has been designed to work in both vented mode, with outside evacuation, and recirculation mode.

VENTED MODE

The downdraft can be mounted in the version with outside discharge of suctioned air: in this case it is necessary to connect the exhausting channel to the outside (exhausting pipes are not supplied with the products.)

NON-RETURN VALVE BLOCKAGE

CAUTION: Before connecting the air exhaust hose, make sure that the non-return valves can rotate freely.



In case of outside air discharge installation, fit a non-return valve to prevent wind and back air

RECIRCULATION MODE

In case fumes and vapour cannot be evacuated outside, the appliance can be used in the recirculation mode.

Activated charcoal filters are required for this type of installation.

Air recycled through the charcoal filters is recirculated into the kitchen, thanks to a duct conveying the air beneath the cabinet.

Air can be vented either through a 5mm slot around the whole plinth (Fig 9a) or through a plinth grille (Fig 9b).

NOTE:

Universal plinth grille (GRILL/SENSE600) can be purchased at www.caple.co.uk

Fig.9a

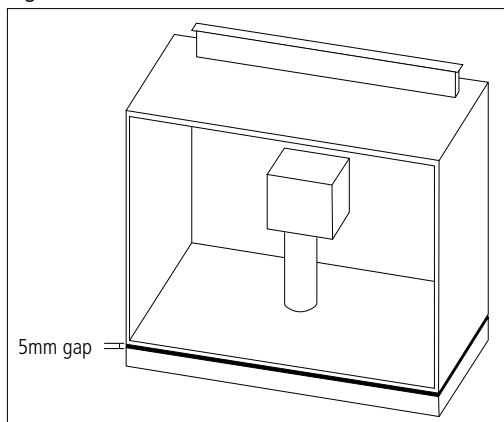
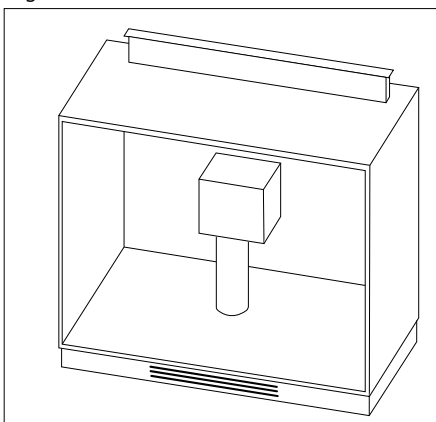


Fig.9b



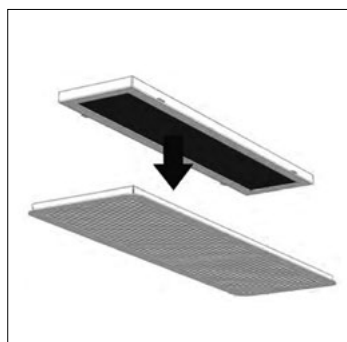
CAUTION:

Installation must comply with the regulations in force regarding the ventilation of enclosed environments. In particular, discharged air must not be conveyed into a duct used for fumes discharge or discharge from appliances using gas or other combustible materials. The use of discontinued ducts is not allowed without the approval of a qualified technician.

REMOVING THE GREASE FILTER, MOUNTING THE ACTIVATED CHARCOAL FILTER

The removal and fitting of both the grease filter and the charcoal filter shall be carried out with the downdraft open. To open the downdraft, push the glass downwards so as to make the opening of the appliance easier (Fig. 4). Remove the metal grease filters, which are magnetically secured to the appliance, by using either a hand tool or a knife edge. Act in the slot found in the filter sides, as shown in Fig. 10. As an alternative, you can remove the upper glass and push the filters from the inside to outside. Fit the filters into their seat, by bringing them close to the magnets until they keep them into place. The charcoal filter is installed directly on the grease filter rear side, (see Fig. 11). Charcoal filters shall be replaced accordingly to the effective use of the Downdraft, and in any case at least once every 6 months.

Fig.11

**NOTE:**

Replacement filters (CAP67CF) can be purchased at www.caple.co.uk.

WARNING:

After having replaced the filters, reinstall the front stainless steel panel, otherwise the Downdraft is not enabled to function.

ELECTRICAL CONNECTION

WARNING:

Place the metal box containing the electronic components at a distance of no less than 65cm from gas-operated cook tops or in any case, 65cm from the suctioning surface of the cookerhood.

NOTE:

We recommend installing the metal box containing the electronic components at least 10cm above floor level and at a suitable distance from all heat sources (e.g. oven sides or hob).

CAUTION:

This appliance is fitted with an H05 VVF 3 conductor, 0.75mm² (neutral, phase, and ground) power cord.

This can be connected up to a 220 - 240V mono-phase electrical network through a CEI 60083 approved power socket, which must remain accessible after installation, in compliance with installation regulations.

We decline any responsibility in case of accidents caused by a lack of ground connection or incorrect ground connection. The appliance must be fed through a differential protection device (RCD), with a nominal residual current not exceeding 30mA. If the power cord is damaged, call Caple service to avoid any risk.

WARNING:

The downdraft connection to the electrical network must be carried out only by professional and qualified technicians.

The downdraft must be connected to a properly installed and suitable electrical network.

The electrical system must comply with VDE0100 standard.

DANGER:

If the downdraft presents any anomaly, disconnect the appliance or remove the fuse corresponding to the appliance power disconnecting line.

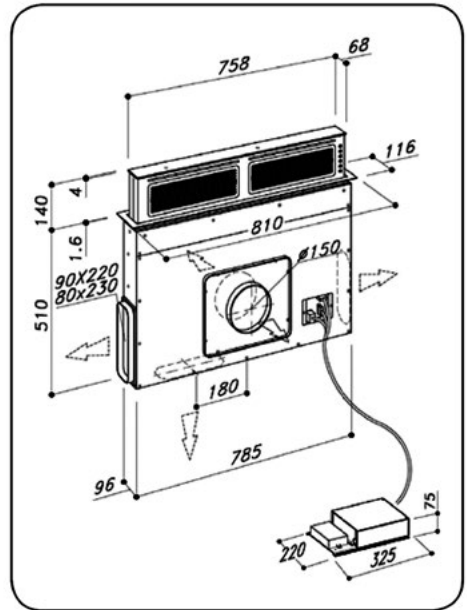
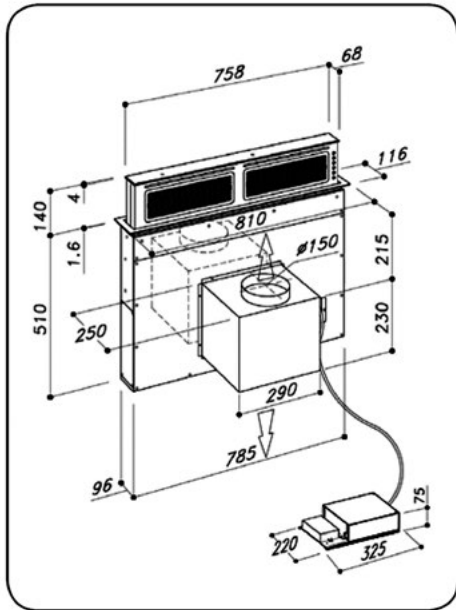
If the appliance has no plug or if the plug is not easily accessible, then a device needs to be fitted to cut it off from the electric network; this device must have an opening distance between contacts on all poles of at least 3mm.

ELECTRICAL CONNECTION

While installing the appliance and carrying maintenance operation, make sure it is disconnected from the electrical network or the fuses are cut out or removed.

Check that:

- › Power is enough.
- › Feeder lines (mains) are in good conditions.
- › The cables diameter complies with installation regulations.



NOTE:

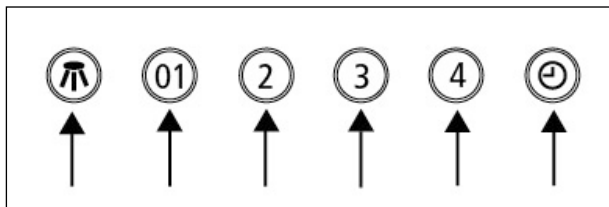
The Downdraft worktop cutout can be connected to the hob cutout, but only for electric hobs.

For gas hobs, a minimum 50mm gap must be left between the edge of the gas hob and the downdraft frame.

OPERATING THE DOWNDRAFT EXTRACTOR

6-KEY PUSH BUTTON PANEL

Fig.12



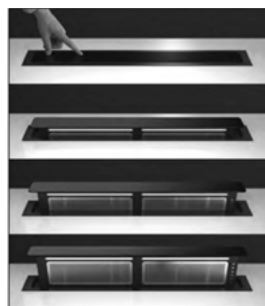
1. Light ON / OFF key
2. Motor ON (1 speed) / OFF key
3. 2 Speed key
4. 3 Speed key
5. 4 speed key
6. 10 minutes timer

The extractable unit is open manually by pushing the glass downwards, as shown in (Fig.4); in the same way, push the glass downwards to close it, until it is completely closed.

The motor and the lights are started by the push button panel (Fig.12).

The motor and the light are automatically switched off when the extractable unit is closed, in case they are on.

Fig.4



TIMING

- › This product is equipped with intelligent electronics which include a timer device for speed controls when the air capacity exceeds $650\text{m}^3/\text{h}$. Internal motor models, with maximum air capacity higher than $650\text{m}^3/\text{h}$, are equipped with a timer device that automatically switches the speed from 4th to 3rd speed, after 6 minutes operation.
- › External motor models are equipped with remote motors that, as for internal motor versions, include a timer device that switches down the speed when it exceeds $650\text{m}^3/\text{h}$. (See External Motors Instructions). Remote motors, whose air capacity exceeds $650\text{m}^3/\text{h}$ at both 4th and 3rd speed, will have the following by default timer control functions: The speed is automatically switched from 4th to 2nd speed, after 6 minutes operation.
- › If the appliance is working at 3rd speed, it is automatically switched to 2nd speed, after 7 minutes operation. Operation speeds can also be changed during operation. The energy consumption of the appliance in standby mode is lower than 0.5W.

OTHER FUNCTIONS:

AUTOMATIC TURN OFF:

After 4 hours of continuous operation from the last setup, the appliance turns off automatically.

GREASE FILTERS SATURATION:

After 30 hours of operation, the speed indicators "D" will all flash simultaneously, signalling the grease filters saturation. To reset this alarm, hold the "TIMER" button down for at least 3 seconds, while the extractable unit is open.

SELF-CALIBRATION:

The downdraft will carry out a self-calibration every 3 complete cycles of its extractable unit. By pushing the "TIMER" key 6 times consecutively (MAX break between one push and the other is 3 sec.) all the LEDs will flash and the calibration will be reset.

After the next 3 cycles the downdraft will carry out its self-calibration.

STAND-BY:


When the extractable unit is closed and the light is switched off, the control panel, after 6 seconds, activates the Stand-by function, reducing the brightness of the LED's.

This function can be stopped by pressing ON/ OFF or LIGHT key.

CARE AND MAINTENANCE

Careful maintenance ensures proper operation and good performances over time.

The hood must be disconnected from the electrical network, both by unplugging the appliance from the socket and activating the magnetic circuit breaker (safety cut-out), before removing the metal grease filters. After cleaning operations, replace the metal grease filters as outlined in the installation instructions.

MAINTENANCE	HOW TO PROCEED?	ACCESSORY PRODUCTS TO USE
External surfaces and accessories	Do not use metallic scrubbers, abrasive products, or hard brushes.	To clean the external surfaces of the cookerhood and the light housing screen use only commercially available household detergents diluted in water. Then rinse with clean water and dry with a soft cloth.
Activated charcoal filter with extractable unit open	<p>After 30 hours of operation, the downdraft will signal the grease filter saturation.</p> <p>The saturation is signalled by the blinking of the 4 central leds.</p> <p>To reset, hold down the  timer button for at least 3 seconds, while the extractable unit is open.</p>	<p>The grease filters can be washed by hand or in the dishwasher. These filters need to be cleaned on a regular basis, because otherwise they may represent a fire risk.</p> <p>Refit the grease filters and front panel, making sure that the panel properly fitted at the sides so that it does not cause the downdraft to stop operating.</p>
Activated charcoal filter	<p>In the recirculation mode, the active charcoal filter must be replaced periodically.</p> <p>To remove the charcoal filter first of all it is necessary to remove the grease filter and then pull the plastic key of the panel itself, in order to disengage it from its seating.</p> <p>Follow these steps in reverse order to insert the active charcoal filter.</p> <p>Replace the used charcoal filter on an average of every six months.</p>	

TROUBLESHOOTING

PROBLEM	SOLUTION
The cooker hood does not work...	<p>Check that:</p> <ul style="list-style-type: none">› There is not a power outage.› A specific speed has actually been selected.› The 9 pole connection is inserted properly.› The red reset key, found over the electrical system box, is pushed.› Make sure that the wires of the 9 pole connection are inserted properly in the connector itself (during the connection phase, an excessive pressure could bend the contacts).
The cooker hood has low performances...	<p>Check that:</p> <ul style="list-style-type: none">› The motor speed selected is sufficient for the quantity of fumes and vapours present in the room.› The kitchen is ventilated well enough to allow air for intake.› The charcoal filter is not worn out.(filtering version cooker hood).› The air outlet channel is free and compliant with paragraph no. 2.› The non-return valves of the suctioning unit are free to rotate.
The cooker hood stops in the middle of operation.	<p>Check that:</p> <ul style="list-style-type: none">› There is not a power outage.› The omnipolar device has not tripped.

AFTER SALES SERVICE

Any maintenance operation on your appliance should be carried out by:

- › Either your retailer;
- › A Caple approved engineer, or similarly qualified personnel.

If a problem still persists and further assistance is required, please contact our Caple after sales team on:

T - 0117 938 7420

E - service@caple.co.uk

NOTES:

NOTES:



Caple Service

Fourth Way

Avonmouth

Bristol

BS11 8DW

T: 0117 938 1900

E: service@caple.co.uk

www.caple.co.uk