

DFKS

Flat ducting set for KMDA 7476 / 7633 / 7634

For customised air guidance in extraction mode.

EAN: 4002516240938 / Material number: 11306320 / Old Material Number: 28996413D

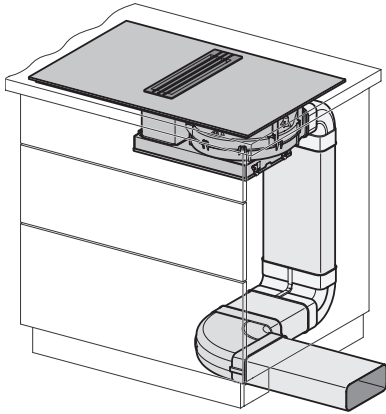


- 2 x bend (DFK-BV 90) + 1 x bend (DFK-BH 90) + 1 x 1 m (DFK-R1000)
- 1 x sealing tape (DFK-DB)
- National building regulations must be complied with
- Makes planning easier, set is attractively priced

DFKS

Flat ducting set for KMDA 7476 / 7633 / 7634

For customised air guidance in extraction mode.



KMDA 7774, KMDA 7633 built-in version (Installation drawing)