

DGC 7860 HC Pro

Combination steam oven

for steam cooking, baking, roasting with wireless food probe + HydroClean.



- Large touch display with proximity sensor – M Touch + MotionReact
- Perfect results – DualSteam technology
- Crispy outside, succulent inside – combination cooking
- Miele@home – network-enabled WiFi appliance + Mix & Match
- Easy cleaning – HydroClean and stainless steel oven compartment

A⁺

EAN: 4002516626275 / Material number: 12101670 / Old Material Number: 23786039GB

Construction type and design	
Steam combination oven	•
VitroLine	•
Appliance Colour	Graphite grey
Convenience features	
Rapid heat-up	•
Pre-heating	•
External steam generation	•
Oxygen sensor	•
Individual humidity settings in combination cooking	•
Menu cooking without transfer of taste	•
Prepare plated meals with "Mix & Match"	•
Food probe	Without cable
Automatic programmes with ability to make individual adjustments	•
Keeping warm	•
Crisp function	•
Operating modes	
Defrost	•
Automatic programmes	•
Country-specific automatic programmes	•
Combination cooking	•
Combination cooking with Fan plus	•
Combination cooking with Conventional heat	•
Combination cooking with grill	•
Steam cooking	•
Sous-vide	•
Reheat	•
Roast with moisture	•
Grill operating modes	•
Grill	•
Economy grill	•
Fan plus	•
Intensive bake	•
Cake plus	•
Conventional heat	•
Top heat	•
Bottom heat	•
Fan grill	•
Eco fan heat	•
Eco steam cooking	•
Plate warming	•
Special applications	•
User convenience	
Networking with Miele@home	•
Display	M Touch
MotionReact proximity sensor	•
MotionReact: light comes on when movement is detected	•
MotionReact: display comes on when movement is detected	•

DGC 7860 HC Pro
Combination steam oven
for steam cooking, baking, roasting with wireless food probe + HydroClean.



EAN: 4002516626275 / Material number: 12101670 / Old Material Number: 23786039GB

MotionReact: audible signal is acknowledged when movement is detected	•
MotionReact: detection of cabinet fronts	•
SoftOpen	•
SoftClose	•
MultiLingua	•
MyMiele	•
Help function	•
Motorised lift-up control panel with SoftClose	•
Quantity-independent cooking	•
Steam cooking on up to 4 levels at the same time	•
Automatic menu cooking	•
Steam reduction before end of programme	•
Polyphonic buzzers	•
Time of day display	•
Date display	•
Minute minder	•
Programmable start of cooking duration	•
Programmable end of cooking duration	•
Programmable cooking duration	•
Actual temperature display	•
Target temperature display	•
Buzzer when desired temperature is reached	•
Recommended temperature	•
User programmes	•
Sabbath programme	•
Individual settings	•
Efficiency and sustainability	
Energy efficiency class (A+++ – D)	A+
Power rating in off mode in W	0.5
Power rating in standby mode in W	1.0
Power rating in networked standby in W	2.0
Time until automatic switch to standby in min	20
Time until automatic switch to networked standby in min	20
Time until automatic switch to off mode in min	20
Cleaning and care	
Stainless-steel oven compartment with linen structure	•
Hinged grill element	•
External steam generator	•
HydroClean	•
Maintenance programmes	•
Soak programme	•
Rinse programme	•
Oven compartment drying programme	•
Quick-release side racks	•
Removable stainless-steel side racks	•
Automatic descaling	•
CleanGlass door	•
Steam techn./water supply	
DualSteam	•
Steam generator power in kW	3.30
Fresh water container volume in l	1.4

DGC 7860 HC Pro

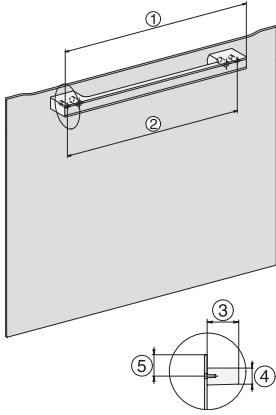
Combination steam oven

for steam cooking, baking, roasting with wireless food probe + HydroClean.

DGC 7860 HC Pro

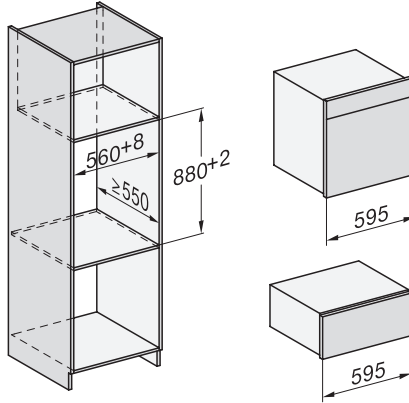
Combination steam oven

for steam cooking, baking, roasting with wireless food probe + HydroClean.

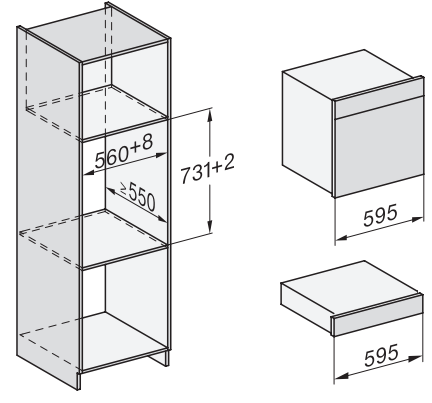


DG7x40, DGC7x4x, DGC7x6x, DG7635, DGM7x4x, DO7, H2860B/BP, H7240BM, H7x40BM, H7x4xB/BP, H7x6xB/BP, installation drawings

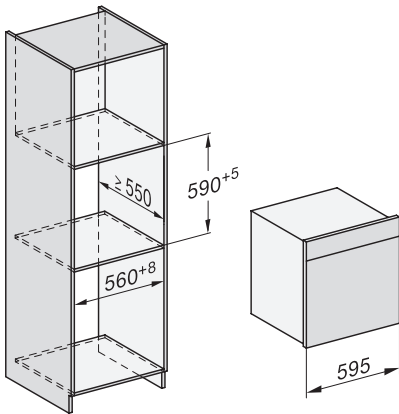
1) 400 mm, 2) 360 mm, 3) 47 mm, 4) 27 mm, 5) 32.5 mm



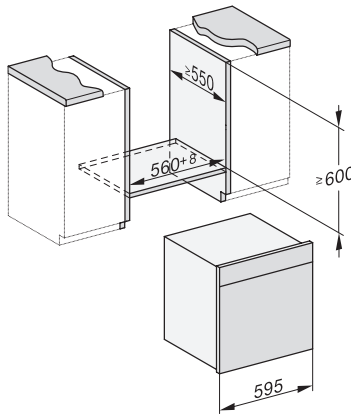
ESW7x20, DGC7x6xHCPro, DGC7x6xHCXPro installation drawings



ESW7x10, EVS7010, DGC7x6xHCPro, DGC7x6xHCXPro installation drawings

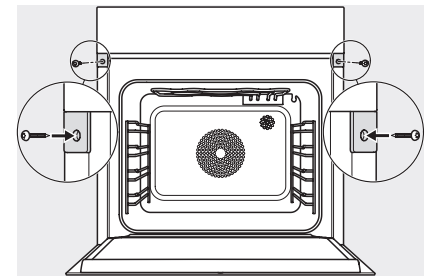


DGC7x6x, DGC7x6xX, DGC7x6xHCPro, DGC7x6xHCXPro installation drawings

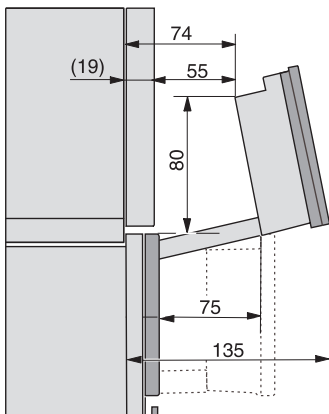


DGC7x6x, DGC7x6xX, DGC7x6xHCPro, DGC7x6xHCXPro installation drawings

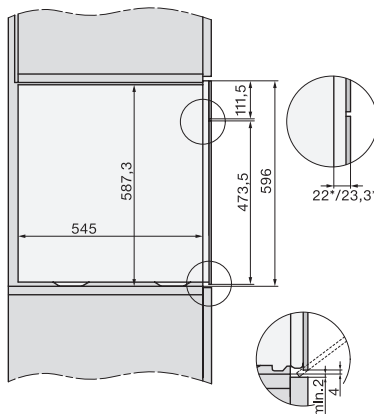
Worktop overhang ≤ 29 mm



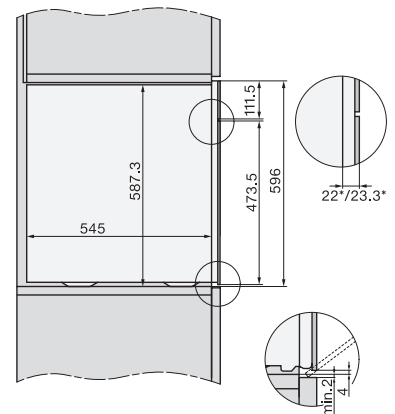
DGC7x6x, DGC7x6xX, DGC7x6xHCPro, DGC7x6xHCXPro installation drawings



DGC7x4x, DGC7x4x-55, DGC7xxx, DGC7x4xHCPro, DGC7x4xHCXPro installation drawings



DGC7x6xX, DGC7x6x-55X, DGC7x6xHCPro, DGC7x6xHCXPro, installation drawings



DGC7x6x, DGC7x6xX – installation drawing – GB, AU
22 mm glass, 23.3 mm stainless steel