

Series 4, Wall-mounted cooker hood, 60 cm, Stainless steel look DWB65CC30B



- **Stainless steel surface:** sleek, polished look for a refined kitchen atmosphere.
- **High extraction rate - for continuously clean air in the kitchen.**
- **Push button control:** for simple and convenient adjustment of your hood settings.
- **Dual filter system:** efficient and long-lasting air and odour filtration.
- **Ducted or un-ducted options:** Flexibility to install our hoods in both ducted and un-ducted options.

Technical Data

Color chimney:	Stainless steel look
Typology:	Wall-mounted
Length electrical supply cord:	130 cm
Height of the appliance:	60 mm
Minimum distance above an electric hob:	550 mm
Minimum distance above a gas hob:	650 mm
Net weight:	12.0 kg
Type of control:	Mechanical
Number of speed settings:	3
Max. air extraction:	594 m ³ /h
Max. air recirculation:	569 m ³ /h
Maximum Air flow:	594 m ³ /h
Number of lights:	2
Noise level:	67 dB(A) re 1pW
Diameter of air outlet:	150 mm
Grease filter material:	Washable stainless steel
EAN code:	4242005530373
Connection rating:	200 W
Voltage:	220-240 V
Frequency:	50 Hz
Plug type:	GB plug
Installation typology:	Wall-mounted

Optional accessories

- DWZ1FB1B6 Long-life Clean Air odor filter (repl.)
 DWZ1FB3I6 Long-life Clean Air recirculation kit



Series 4, Wall-mounted cooker hood, 60 cm, Stainless steel look DWB65CC30B

Design:

- Box design
- wall-mounted
- Suitable for ducted or recirculating operation

Core Features:

- Capacitor energy efficient
- 2 x LED 1.5W
- Colour Temperature: 3500 K
- Light Intensity: 293 lux
- 2 metal grease filter(s).

Comfort Features:

- Push button control for extractor speeds and light
- 3 power levels

Cleaning Comfort:

- Easy to clean smooth surfaces and materials.
- Removable metal grease filters dishwasher-safe
- Coated surfaces for less fingerprint sensitivity

Exhaust Mode:

- According to EN 61591 and EN/ IEC 60704-2-13 your appliance can achieve the following values in exhaust mode:
- Speed 1: extraction rate 361 m³/h; noise level 57 dB(A) re1pW
- Speed 2: extraction rate 469 m³/h; noise level 63 dB(A) re1pW
- Speed 3: extraction rate 594 m³/h; noise level 67 dB (A) re1pW
- Energy Efficiency Class: B (at a range of energy efficiency classes from A+++ to D)
- Average Energy Consumption: 72 kWh/year*
- Blower Efficiency Class: B*
- Lighting Efficiency Class: A*
- Grease Filtering Efficiency Class: B*

Recirculation Mode:

- For recirculation operation Long-life Clean Air recirculation kit (accessory) needed
- The Long-life Clean Air odour filter absorbs intense odours, such as fish, as well as pollen. The lifetime can be extended up to 4 times by refreshing the filter in the oven
- According to EN 61591 and EN/ IEC 60704-2-13 your appliance can achieve the following values in recirculation mode with Long-life Clean Air recirculation kit (available as optional accessory):
- Speed 1: extraction rate 360 m³/h; noise level 60 dB(A) re1pW
- Speed 2: extraction rate 477 m³/h; noise level 67 dB(A) re1pW
- Speed 3: extraction rate 569 m³/h; noise level 71 dB (A) re1pW

Technical Information and Sustainability:

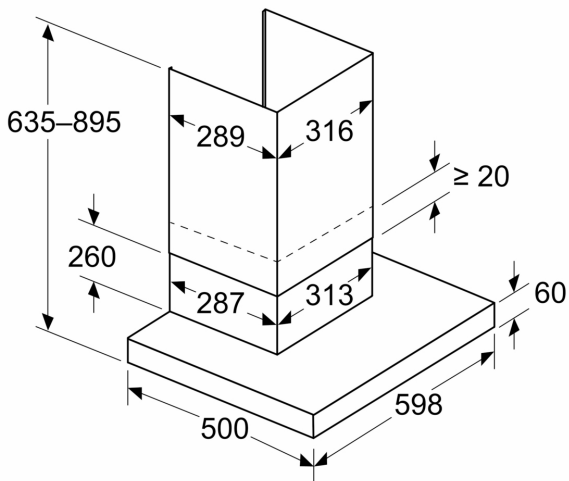
- Consumption data:
- Power rating: 200 W
- Voltage: Nominal voltage: 220 - 240 V
- Sustainability:
- Made in Germany: produced at a CO₂ neutral production site
- Environmentally friendly packaging
- Available Long-life Clean Air odour filter with extended lifetime up to 4 times

Planning and Installation Information:

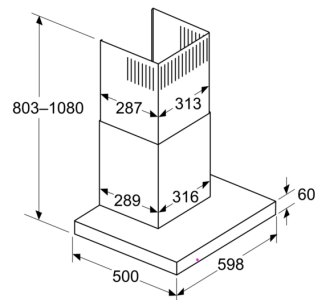
- Reduced assembly effort thanks to the easy installation method
- Dimensions exhaust air (HxWxD): 635-895 x 598 x 500 mm
- Dimensions recirculating (HxWxD): 803-943 x 598 x 500 mm
- Diameter pipe Ø 150 mm
- Electrical cable length 1.3 m

**Series 4, Wall-mounted cooker hood,
60 cm, Stainless steel look
DWB65CC30B**

Measurements in mm
Appliance in exhaust air mode

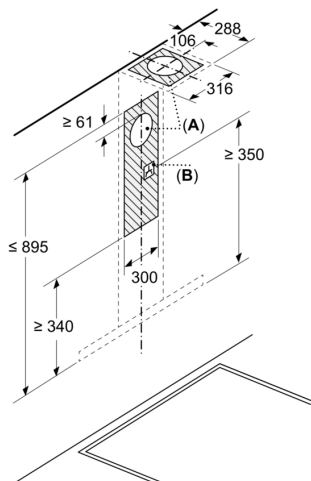


Measurements in mm
Recirculation perspective



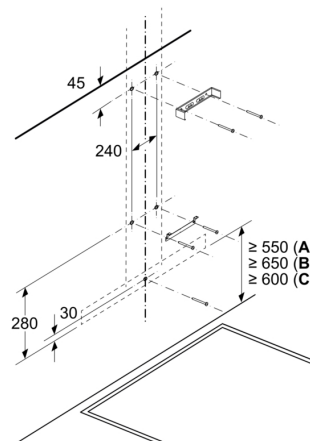
Recirculation mode with recirculation kit (the recirculation kit is only available as a separate accessory)

Measurements in mm



A: Exhaust air
B: Electrical connection

Measurements in mm
Wall installation with chimney



A: Electric
B: Gas - from upper edge of pan support
C: Electric - for Australia and New Zealand

Measurements in mm
Wall panel depth

