

FAB10RPB5



Product Family	Refrigerator
Installation	Free Standing
Category	One Door
Reference width	Until 60
Reference height	Until 100
Cooling type	Static
Defrost	Automatic for refrigerator, manual for freezer
Hinge type	Standard
Hinge position	Right
EAN code	8017709298869



Aesthetics

Aesthetics	50's Style	Handle colour	Chrome
Colour	Pastel Blue	Logo colour	Chrome
Finishing	Gloss	Side material	Steel
Design	Rounded	Side colour	Pastel blue
Material	Heat-moulded	Logo	Applied
Handle	External	Door shelves profile colour	Silver
Handle type	Fixed	Colour of glass shelf profile	Silver

Refrigerator compartment features



Number of compartments	1	Type of crisper/vegetable drawers cover	Standard
Compartment types	Fruit and vegetable compartment	Crisper Cover	Yes
No. of adjustable shelves	1	Type of crisper/vegetable drawers cover	Glass
Number of fruit and vegetables drawers	1	Internal light in fridge	Yes
Type of adjustable shelves	Glass	Type of internal light (fridge)	LED

Refrigerator Inner Door

No. of bottle shelves	1
-----------------------	---

Number of adjustable door shelves 2


Freezer compartment features

Internal freezer compartment Yes

Other technical features

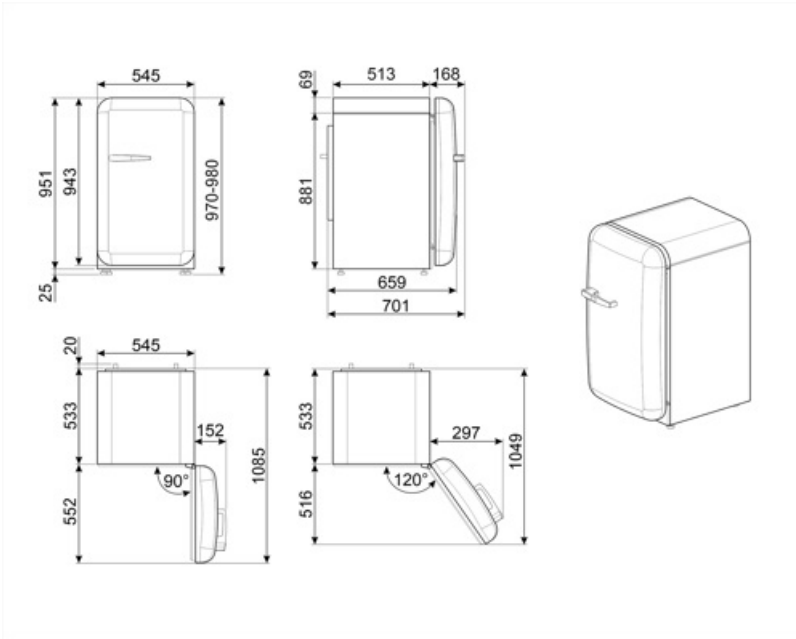
Type of temperature control	Electro-mechanical
No. of compressors	1
Refrigerant gas type	R600a
Type of compressor	Standard
Refrigerant Quantity (gr)	25 g
Foam agent	Cyclopentane

Performance / Energy Label

			
Annual energy consumption	142 KWh/year	Noise level	37 dB(A) re 1 pW
Energy efficiency class	E	Thaw time	9 h
Airborne acoustical noise emission class	C	4 star - Freezing capacity	2,6 Kg/24h
Total volume	122 l	Climatic class	SN, N, ST, T
Sum of the volumes of the frozen compartment(s)	17 l	EEI	98 %
Sum of the volumes of the chill compartment(s) and the unfrozen compartment(s)	105 l		

Electrical Connection

Plug	(F;E) Schuko	Voltage (V)	220-240 V
Nominal power	50 W	Frequency (Hz)	50 Hz
Current	0,42 A	Power supply cable length	180 cm



Alternative products



FAB10RPK5

Hinge position: Right
Pink



FAB10RCR5

Hinge position: Right
Cream



FAB10RWH5

Hinge position: Right
White



FAB10RBL5

Hinge position: Right
Black



FAB10RRD5

Hinge position: Right
Red



FAB10ROR5

Hinge position: Right
Orange



FAB10RDUJ5

Hinge position: Right
Decorated / Special



FAB10RPG5

Hinge position: Right
Pastel Green

Symbols glossary



4 stars freezing compartment for better food preservation.



The automatic defrost system works by automatically defrosting at regular intervals eliminating the need to defrost altogether.



A++: Energy efficiency class A++ helps to save up to 20% energy compared to class A. Maximum performance with minimum consumption is guaranteed.



Energy efficiency class E



LED interior lighting: is a more energy efficient and long lasting way of illuminating the interior of the appliance.

Benefit

Refrigerant gas R600a

Environmentally friendly R600a refrigerant gas contributes to rapid cooling with lower energy consumption

Climate class

Climatic class SN-T makes the appliance suitable for working at room temperature between 10 °C and 43 °C (50 °F ~ 109 °F)

External handle

The external handle ensures practicality and ease of use of the refrigerator

Refrigerator Internal lighting

Interior lighting for perfect visibility of shelves in the refrigerator compartment

Fruit and vegetable drawer

The fruit and vegetable drawer ensures the best storage conditions for fresh food, avoiding any contamination