

**iQ500, Built-in oven, 60 x 60 cm,
Stainless steel
HB578GBS7B**



2 x combination grid, 1 x universal pan

HZ327000 Baking stone, HZ32WA00 Wireless food thermometer, HZ530000 2 multipurpose pans, slim size, HZ531010 Baking tray, non-stick ceramic coated, HZ532010 Universal pan, non-stick ceramic coated, HZ538000 varioClip rail, HZ617000 Pizza pan, enamelled, HZ629070 Air Fry & Grill tray, HZ631070 Baking tray, enamelled, HZ632070 Multipurpose pan, enamelled, HZ633001 Lid for professional pan, enamelled, HZ633070 Professional pan with grid, enamelled, HZ633073 Professional pan, enamelled, HZ634000 Baking and roasting grid (standard), HZ636000 Glass pan, HZ638000 Full ext rails, level independent, HZ66X650 Cover Strip, HZ915003 Glass roasting dish, 5,4 L, HZG0AS00 Connecting cable 3m

Intelligence in your kitchen: Oven Assistant with Voice Control, activeClean for effortless oven cleaning for excellent results.

- ✓ Home Connect with Remote Control: Unlock the full potential of your smart oven.
- ✓ Oven Assistant with Voice Control: Intuitively set the right programme
- ✓ .
- ✓ activeClean® – The automatic, self-cleaning oven system.
- ✓ cookControl30: automatic programs ensure best results.
- ✓ 3D hotAir Plus – Even heat distribution on up to three levels for excellent results.

Built-in / Free-standing: Built-in
Integrated Cleaning system: Pyrolytic
Required niche size for installation (HxWxD): ..585-595 x 560-568 x 550 mm

Dimensions: 595x594x548 mm
Dimensions of the packed product (HxWxD): ... 675 x 660 x 690 mm
Control Panel Material: Glass
Door Material: Glass
Weight: 36.9 kg
Usable volume of cavity: 71 l
Heating Types: Full width grill, Hotair gentle, Hot Air, Conventional heat, Pizza setting, low temperature cooking, coolStart, Hot air grilling
Oven control: electronic
Length electrical supply cord: 120.0 cm
EAN code: 4242003956274
Number of cavities (2010/30/EC): 1
Energy efficiency rating: A+
Energy consumption per cycle conventional (2010/30/EC): 0.94 kWh/cycle
Energy consumption per cycle forced air convection (2010/30/EC): 0.69 kWh/cycle
Energy efficiency index (2010/30/EC): 81.2 %
Connection Rating: 3600 W
Fuse protection: 16 A
Nominal power: 220-240 V
Frequency: 50; 60 Hz
Plug type: no plug (electrical connection by electrician)
Included accessories: 2 x combination grid, 1 x universal pan



iQ500, Built-in oven, 60 x 60 cm, Stainless steel HB578GBS7B

Features

- Oven with 8 main functions, 8 main functions heating methods: 3D hot air, conventional top & bottom heating, hot air grilling, full width grill, Pizza setting, coolStart, low temperature cooking, Hotair gentle
- Heating methods only via Home Connect App: air fry, bottom heating, let rest, preheating
- Temperature range 30 °C - 275 °C
- Cavity volume: 71 litres

Level independent telescopic rails

- 5 shelf positions in oven
- Cavity with shelf support rails

Design

- Stainless steel control dial, lightControl: intuitive operation thanks to the illuminated dials, round
- Cavity inner surface: enamel anthracite

Cleaning

- activeClean
- Full glass inner door

Programmes/functions

- LCD Display (White)
- Electronic oven clock timer
- Digital temperature display with proposal
- Heating-up indicator cookControl Automatic start
- cookControl, 30
- Drop down oven door, softClose, softOpen
- Bar handle
- softOpen
- Automatic programmes
- Fast preheat
- coolStart
- Interior halogen light, Light on/off when door opened/closed
- Integral cooling fan
- WLAN - Home connect enabled

Accessories

- 2 x combination grid, 1 x universal pan

Features

- Maximum door temperature 30 °C
- Low door temperature during pyrolytic cleaning
- Quadruple glazed door with heat reflective glass glazed CoolTouch door
- Electronic door lock
- Control panel lock Automatic safety switch off Residual heat indicator Door contact switch

Technical information

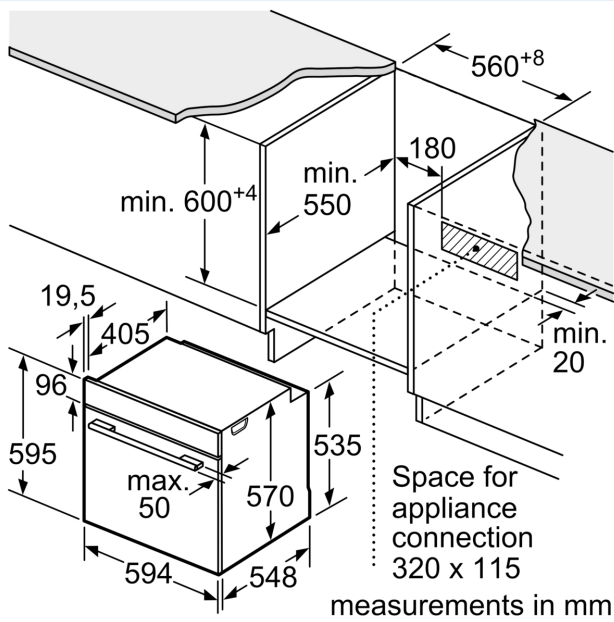
- 120 cm Cable length
- Nominal voltage: 220 - 240 V

- Total connected load electric: 3.6 KW
- Energy efficiency rating (acc. EU Nr. 65/2014): A+
- Energy consumption per cycle in conventional mode:0.94 kWh
- Energy consumption per cycle in fan-forced convection mode:0.69 kWh
- Number of cavities: Main cavity Heat source: electrical Cavity volume:71 litres

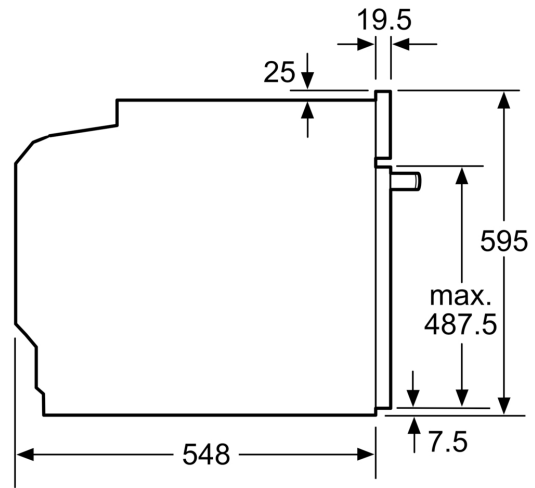
Performance/technical information

- Appliance dimension (hxwx): 595 mm x 594 mm x 548 mm
- Niche dimension (hxwx): 585 mm - 595 mm x 560 mm - 568 mm x 550 mm
- Please refer to the dimensions provided in the installation manual
- We recommend you to choose complementary products within iQ500, in order to assure an optimal design combination of your Built-In appliances.

**iQ500, Built-in oven, 60 x 60 cm,
Stainless steel
HB578GBS7B**

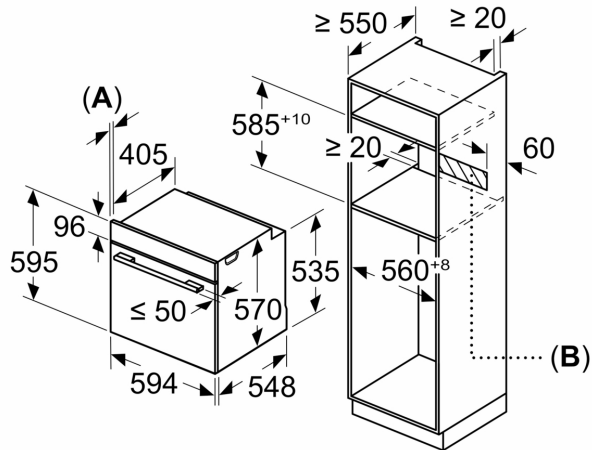


measurements in mm



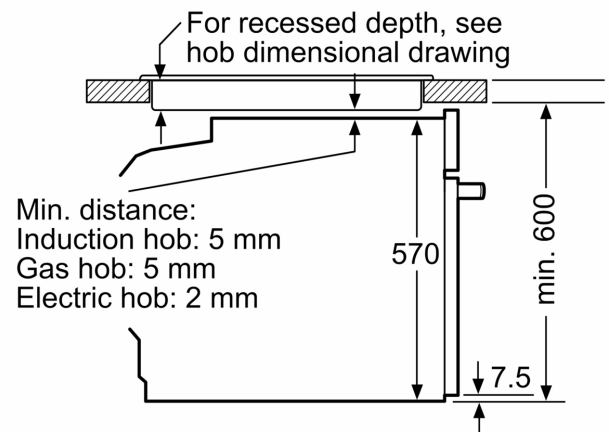
measurements in mm

Measurements in mm



A: 19.5 mm
B: Space for appliance connection 320 x 115 mm

Installation with a hob.



Min. distance:
Induction hob: 5 mm
Gas hob: 5 mm
Electric hob: 2 mm

measurements in mm