

**Serie | 2, Built-in oven, Black  
HHF113BA0B**

**A**

**The built-in oven with 3D hot air: achieve perfect baking and roasting results on up to three levels simultaneously.**

- **3D Hotair:** perfect results thanks to optimal distribution of heat on up to 3 levels simultaneously.
- **LED display control, red:** easy-to-use thanks to the time functions.
- Easy to clean grey enamel interior

**Technical Data**

Color / Material Front :	Black
Construction type :	Built-in
Integrated Cleaning system :	No
Required niche size for installation (HxWxD) :	575-597 x 560-568 x 550
Dimensions of the product (mm) :	595 x 594 x 548
Dimensions of the packed product (HxWxD) (mm) :	670 x 680 x 645
Control Panel Material :	metal lacquered
Door Material :	Glass
Net weight (kg) :	32.199
Usable volume of cavity (l) :	66
Cooking method :	Full width variable grill, Hot Air, Hot air grilling
First cavity material :	Other
Oven control :	mechanical
Number of interior lights :	1
Approval certificates :	CE, VDE
Length of electrical supply cord (cm) :	100
EAN code :	4242005048328
Number of cavities (2010/30/EC) :	1
Energy efficiency class (2010/30/EC) :	A
Energy consumption per cycle forced air convection (2010/30/EC) :	0.79
Energy efficiency index (2010/30/EC) :	95.2
Connection rating (W) :	2400
Current (A) :	13
Voltage (V) :	220-240
Frequency (Hz) :	60; 50
Plug type :	GB plug

**Included accessories**

1 x insert grid  
1 x combination grid  
1 x universal pan

**Optional accessories**

HEZ327000 : Pizza stone  
HEZ625071 : Grill tray, anthracite enamelled  
HEZ915003 : Glass roasting dish, 5,4 L



## Serie | 2, Built-in oven, Black HHF113BA0B

**The built-in oven with 3D hot air: achieve perfect baking and roasting results on up to three levels simultaneously.**

---

### **Design**

- LED-Display Control (Red)
- Drop down door
- Rotary dial
- Straight bar handle
- Cavity inner surface: Enamel grey

### **Features**

- Automatic start
- Control panel lock
- Electronic clock timer
- Halogen interior light
- 5 shelf positions

### **Cleaning**

- Full glass inner door

### **Programmes/functions**

- Oven with 4 heating methods: 3D hot air, Hotair grilling, Hotair gentle

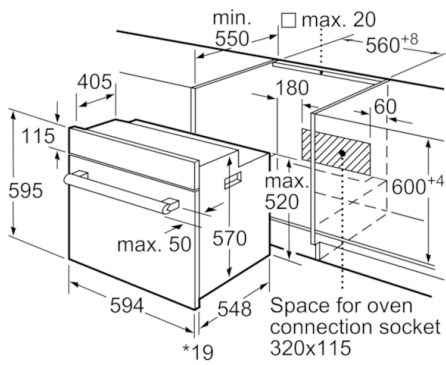
### **Standard accessories**

- 1 x insert grid, 1 x combination grid, 1 x universal pan

### **Performance/technical information**

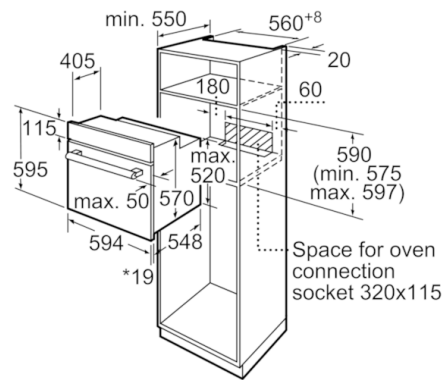
- Energy efficiency rating (acc. EU Nr. 65/2014): A  
Energy consumption per cycle in conventional mode: 95.2  
Energy consumption per cycle in fan-forced convection mode:  
0.79 kwh  
Number of cavities: 1  
Cavity volume: 66 litre
- Integral cooling fan
- Length of mains cable: 100 cm
- Total connected load electric: 2.4 KW
- Nominal voltage: 220 - 240 V
- Appliance dimension (hxwxd): 595 mm x 594 mm x 548 mm
- Niche dimension (hxwxd): 575 mm - 597 mm x 560 mm - 568 mm x 550 mm
- Please refer to the dimensions provided in the installation manual

**Serie | 2, Built-in oven, Black  
HHF113BA0B**



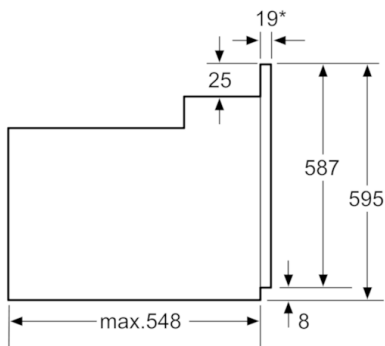
\* 20 mm for metal fascias

measurements in mm



\* 20 mm for metal fascias

measurements in mm



\* 20 mm for metal fascias

Dimensions in mm