

iQ700, Built-in oven with steam function, 60 x 60 cm, Black HS758G3B1B



A+



2 x grid, 1 x universal pan, 1 x steam container, size XL, punched, 1 x Steam container, unpunched, size M

HZ32WA00 Wireless food thermometer, HZ530000 2 multipurpose pans, slim size, HZ531010 Baking tray, non-stick ceramic coated, HZ532010 Universal pan, non-stick ceramic coated, HZ617000 Pizza pan, enamelled, HZ629070 Air Fry & Grill tray, HZ631070 Baking tray, enamelled, HZ632070 Multipurpose pan, enamelled, HZ633001 Lid for professional pan, enamelled, HZ633070 Professional pan with grid, enamelled, HZ633073 Professional pan, enamelled, HZ635000 AirFry & Grill Set, HZ636000 Glass pan, HZ638D00 Full ext rails, level independent, steam, HZ664000 Baking and roasting grid (steam), HZ66D52 2 steamcontainer(punched/unpunched)sizeM, HZ66X650 Cover Strip, HZ915003 Glass roasting dish, 5,4 L

Shorten your cooking time thanks to fast preheat and coolStart. And remote your oven from anywhere with Home Connect.

- ✓ cookControl Pro: excellent results, whatever the recipe.
- ✓ Oven Assistant with Voice Control: intuitively select the right programme.
- ✓ fullSteam Plus: for fast, healthy steam cooking.
- ✓ Home Connect with Remote Control: unlock the full potential of your smart oven.
- ✓ Far less oven cleaning – ecoClean Plus.

Built-in / Free-standing: Built-in
 Door opening: Drop down
 Min. required niche size for installation (HxWxD): 585-595 x 560-568 x 550 mm
 Dimensions: 595x594x548 mm
 Dimensions of the packed product (HxWxD): ... 670 x 660 x 690 mm
 Control Panel Material:Glass
 Door Material:Glass
 Weight: 39.2 kg
 Length electrical supply cord: 120.0 cm
 EAN code:4242003902615
 Fuse protection: 16 A
 Nominal power: 220-240 V
 Frequency:50; 60 Hz
 Plug type:no plug (electrical connection by electrician)
 Usable volume (of cavity) - NEW (2010/30/EC): 71 l
 Energy efficiency rating: A+
 Energy consumption per cycle conventional (2010/30/EC): 0.87 kWh/cycle
 Energy consumption per cycle forced air convection (2010/30/EC): 0.69 kWh/cycle
 Energy efficiency index (2010/30/EC): 81.2 %
 Included accessories:2 x grid, 1 x universal pan, 1 x steam container, punched, size XL, 1 x Steam container, punched, size M, 1 x Steam container, unpunched, size M



iQ700, Built-in oven with steam function, 60 x 60 cm, Black HS758G3B1B

Features

- Combi-steam oven with 22 heating methods: conventional top & bottom heating, full width grill, half width grill, coolStart, bottom heat, intensive conventional heat, low temperature cooking, keep warm, plate warming, Conventional heat gentle, steam, reheating with steam, Dough proving, defrost, Hot air grilling, warming, 4D Hot air, Top/bottom heat
- Temperature range 30 °C - 250 °C
- 120 °C
- Cavity volume: 71 litres

Level independent telescopic rails

- 5 shelf positions in oven
- Cavity with shelf support rails

Design

- Touch control
- Cavity inner surface: enamel anthracite

Cleaning

- EcoClean Direct: coating of ceiling, back panel, side liners
- hydrolyse program, ecoClean programme
- Full glass inner door

Programmes/functions

- Oven Assistant with Voice Control
- SE63
- Electronic oven clock timer
- Digital temperature display with proposal
- Actual temperature display Heating-up indicator Temperature probe
- Drop down oven door, softClose, softOpen
- cookControl Plus
- Fast preheat
- coolStart
- steam boost - add for 3min intensive steam with a touch of a button.
- There are different steam intensities selectable: steam level high, steam level middle, steam level low
- LED light, Light on/off when door opened/closed
- Tank empty indicator
- Location of water tank: Outside cavity
- Integral cooling fan
- WLAN - Home connect enabled

Accessories

- 1 x Steam container, punched, size M, 1 x steam container, punched, size XL, 1 x Steam container, unpunched, size M, 2 x grid, 1 x universal pan

Features

- Heat reflective glass
- Control panel lock
- Automatic safety switch off Residual heat indicator Start button Door contact switch

Technical information

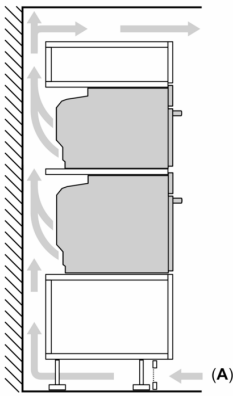
- 120 cm Cable length
- Nominal voltage: 220 - 240 V
- Total connected load electric: 3.6 KW
- Energy efficiency rating (acc. EU Nr. 65/2014): A+
- Energy consumption per cycle in conventional mode:0.87 kWh
- Energy consumption per cycle in fan-forced convection mode:0.69 kWh
- Number of cavities: Main cavity Heat source: electrical Cavity volume:71 litres

Performance/technical information

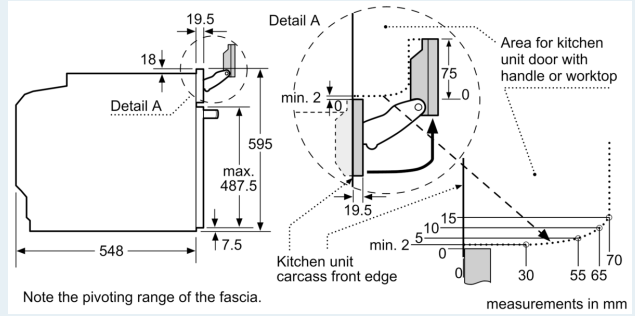
- Appliance dimension (hxwxd): 595 mm x 594 mm x 548 mm
- Niche dimension (hxwxd): 585 mm - 595 mm x 560 mm - 568 mm x 550 mm
- Please refer to the dimensions provided in the installation manual

iQ700, Built-in oven with steam function, 60 x 60 cm, Black HS758G3B1B

Installing two appliances on top of each other
Air exchange

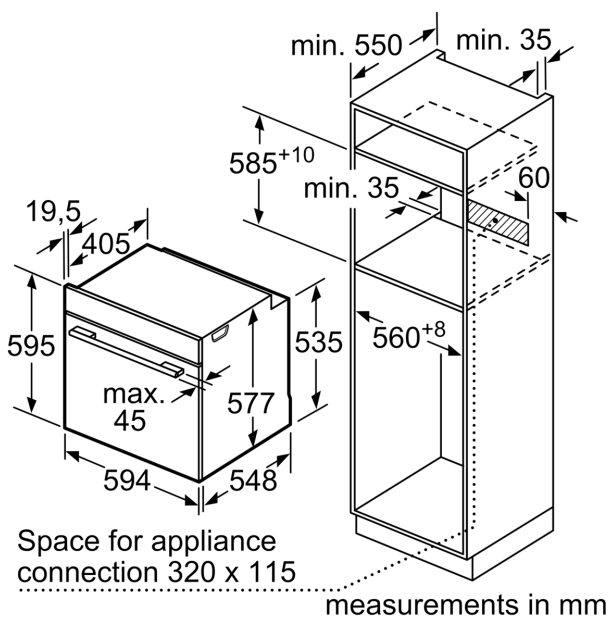


A: Air inlet $\geq 200 \text{ cm}^2$



Note the pivoting range of the fascia.

measurements in mm



Space for appliance connection 320 x 115

measurements in mm

If the appliance will be installed underneath a hob, the following worktop thicknesses (including substructure if necessary) must be taken into account.

Hob type	min. worktop thickness	
	fitted	flush
Induction hob	37 mm	38 mm
Full surface Induction hob	47 mm	48 mm
Gas hob	30 mm	38 mm
Electric hob	27 mm	30 mm

