



# Built-Under Extractor Instruction Manual

---

# INCH



Contact Caple on 0117 938 7420 for spare parts or [www.caple.co.uk](http://www.caple.co.uk)

## CONTENTS

---

Introduction	3
Safety Instructions	4
Installation	13
Methods of Extracting	15
Operation	18
Cleaning and Maintenance	19
Electrical Connection	20
Troubleshooting	22
Technical Data	23
Caple Contact Details	24

# INTRODUCTION

---

Thank you for choosing this Caple extractor hood.

To ensure that you get the best results from your new extractor, we strongly suggest that you read this instruction manual thoroughly before use. If treated with care, your Caple extractor should give you years of trouble-free use.

To register ownership, please follow the instructions on the guarantee card supplied with the appliance or visit **[www.caple.co.uk](http://www.caple.co.uk)** and register here.

This instruction manual is designed to provide you with all the required information related to the installation, use and maintenance of the appliance.

This hood is designed to extract unpleasant odours from the kitchen; it is not intended to extract steam. In order to operate the unit correctly and safely, please read this instruction manual carefully before installation and use.

The cooker hood uses high quality materials and is made with a streamlined design. Equipped with an electric motor and centrifugal fan, it provides strong extraction with low noise. It also features non-stick grease filters and an easy installation.

## IMPORTANT

- This appliance must only be used for the purpose it is intended. Other types of use are not permitted and may prove dangerous. Caple will not be held liable for any damage caused by the incorrect use of the appliance.
- Do not use any accessories or attachments not recommended by Caple as this may result in fire, electric shock or injury.
- To protect against fire, electrical shock and injury to persons, do not immerse cords or plugs in water or any other liquid.
- Never touch the appliance with wet or damp hands.
- Never pull the power cable as you could damage it. If the appliance is faulty, do not attempt to repair it. Isolate it from the mains electric supply and contact Caple Service either by phone 0117 938 7420 or email [service@caple.co.uk](mailto:service@caple.co.uk)
- Keep all packaging (including plastic bags, polystyrene foam etc) out of the reach and away from children.
- Do not rest large or unstable objects on any part of the appliance.

## **IMPORTANT**

Caple cannot be held responsible for injuries or losses caused by incorrect use or installation of this product. Please note that Caple reserve the right to invalidate the guarantee supplied with this product following incorrect installation or misuse of the appliance. Under no circumstances should any external covers be removed for servicing or maintenance except by suitably qualified personnel.

## SAFETY INSTRUCTIONS

- Never let children operate the machine.
- The cooker hood is for home use only, not suitable for barbecuing, restaurants or other commercial purposes.
- The cooker hood and its filter should be cleaned regularly in order to keep in good working condition.
- Clean the cooker hood according to the instruction manual to reduce the risk of fire.
- When using a gas hob, do not leave naked flames under the extractor.
- Before connecting this appliance check that the power supply cord is not damaged.
- If the room where the hood is to be used contains a fuel burning appliance such as a central heating boiler then its flue must be of the sealed or balanced flue type. If other types of flue or appliances are fitted ensure that there is an adequate supply of air to the room.
- If the room where the hood is to be used contains a fuel burning appliance such as a central heating boiler then its flue must be of the sealed or balanced flue type. If other types of flue or appliances are fitted ensure that there is an adequate supply of air to the room.
- The air must not be discharged into a flue that is used for exhausting fumes from appliances burning gas or other fuels.

- Regulations concerning the discharge of air have to be conformed to.
- Do not flambé under the cooker hood.
- Never leave frying pans unattended during use as overheated fats and oils may catch fire.
- To ensure the best performance, we recommend switching on the extractor 15 minutes before cooking and leave it running 15 minutes after. This will ensure that the air in the kitchen is being circulated before cooking commences and the air is being cleaned after cooking has finished.
- The performance of your extractor will vary depending on a number of factors. These include type of extraction, room volume, length of ducting, ventilation available and the cleanliness of the filters.
- This appliance is not intended for use by persons (including children) with reduced physical, sensory or mental capabilities, or lack of experience and knowledge, unless they have been given supervision or instruction concerning use of the appliance by a person responsible for their safety.
- Children should be supervised to ensure that they do not play with the appliance.
- Cleaning and user maintenance must not be made by children without supervision.
- Never immerse the appliance in water.

- This appliance is intended to be used in household and similar applications such as:
  - › Staff kitchen areas in shops, offices and other working environments.
  - › Farm Houses.
  - › By clients in hotels, motels and other residential type environments.
  - › Bed and breakfast type environments.
- To avoid all risk, if the power cable is damaged, it must only be replaced by a Caple appointed engineer.
- Appliances can be used by persons with reduced physical, sensory or mental capabilities or lack of experience and knowledge if they have been given supervision or instruction concerning use of the appliance in a safe way and understand the hazards involved.
- Children must not play with this appliance.
- When not in use and before cleaning, always isolate the appliance from the electrical supply.

## **CAUTION:**

- Accessible parts may become hot when used with cooking appliances.
- This appliance can be used by children aged from 8 years and above and persons with reduced physical, sensory or mental capabilities or lack of experience and knowledge if they have been given supervision or instruction concerning use of the appliance in a safe way and understand the hazards involved.

## ELECTRICAL SHOCK HAZARD

- This unit must be correctly earthed. If in doubt seek advice from a suitably qualified engineer.
- Failure to follow these instructions can result in death, fire, or electrical shock.
- If the appliance is not provided with a non-separable flexible cable and plug, or with another device ensuring omni-polar disconnections from the grid, with an opening distance between contacts of at least 3mm, then such disconnecting devices must be supplied within the fixed installation.
- The electrical safety of this appliance can only be guaranteed when correctly earthed. It is essential that this standard safety requirement is met. If in any doubt please have the electrical installation tested by a qualified electrician.
- This appliance must be connected to the mains by a competent person. We recommend that the appliance is connected by a qualified electrician who is a member of the N.I.C.E.I.C who will comply with the I.E.E and local regulations. Electrical information can be found on the rating plate.



## ENVIRONMENTAL PROTECTION

Waste electrical products should not be disposed of with household waste. Please recycle where facilities exist. Check with your Local Authority or retailer for recycling advice. This appliance is marked according to the European directive on Waste Electrical and Electronic Equipment (WEEE).

By ensuring this product is disposed of correctly, you will help prevent potential negative consequences for the environment and human health, which could otherwise be caused by inappropriate waste handling of this product. The symbol on the product indicates that this product may not be treated as household waste. Instead it shall be handed over to the applicable collection point for the recycling of electrical and electronic equipment. Disposal must be carried out in accordance with local environmental regulations for waste disposal.

For more detailed information about treatment, recovery and recycling of this product, please contact your local council, your household waste disposal service or the retailer where you purchased the product

## WARRANTY

Your new appliance is covered by warranty. The warranty card is enclosed - if it is missing, you must provide the following information to your retailer in order to receive a replacement: date of purchase, model and serial number. Registration can also be completed online by visiting [www.caple.co.uk](http://www.caple.co.uk).

Ensure you keep your warranty card safe, you may need to show it to Caple Service together with proof of purchase. If you fail to show your warranty card you will incur all repair charges.

Spare parts are only available from Caple Service and spare parts authorised centres.

## CE DECLARATIONS OF CONFORMITY



This appliance has been manufactured to the strictest standards and complies with all applicable legislation, Low Voltage Directive (LVD) and Electromagnetic Compatibility (EMC).

## UKCA DECLARATIONS OF CONFORMITY



This appliance has been manufactured to the strictest standards and complies with all applicable legislation.

## TECHNICAL FICHE

This appliance conforms to all current and applicable energy regulations. To view the Technical Fiche that supports the energy labelling data, please visit the product page on our website [www.caple.co.uk](http://www.caple.co.uk)

**ATTENTION:**

Before use, remove all plastic films protecting some parts of the appliance (fascia - panel, parts in stainless steel, etc.).

Do not use the appliance to heat a room.

When the appliance is not in use, we recommend you turn it off, and isolate it from the electrical supply.

**IMPORTANT:**

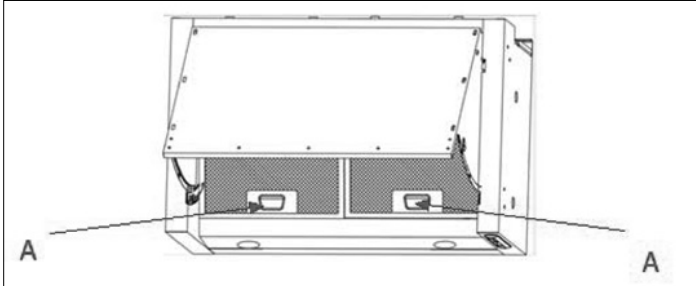
- › Please read the entire instructions before installing the extractor.
- › Always switch power off prior to installation.

**ELECTRICAL SAFETY**

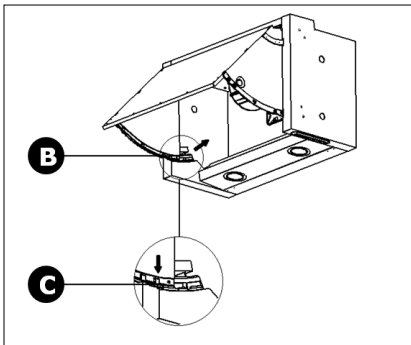
› Before installing this extractor, give careful consideration to the power connection. It is vital that the supply cable should be well shielded from your grill, hob or oven. If it isn't, heat from any one of these sources may damage the cable insulation and give rise to a fire risk. Under no circumstances should the exposed power supply cable come within 70cm of a direct source of heat. Ideally it should be channelled into the wall.

# INSTALLATION

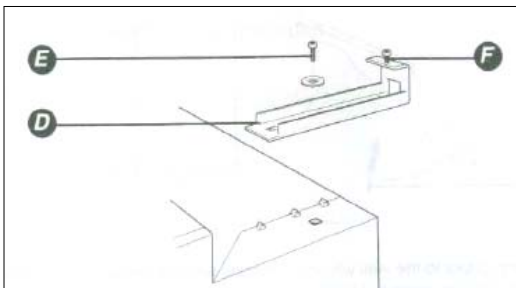
The installation instruction must be strictly followed as failure to comply could result in overheating and serious damage to your appliance.



To secure the product to the wall you must initially remove the grease filters. This is achieved by opening the front panel and pushing the two catches (A) upwards which will then release the grease filters. Once the grease filters have been removed the front panel should also be removed.



Open the front panel and remove the two screws (B) as illustrated above. Press the tab (C) down and remove the front panel from its guides.



Secure brackets (D) onto the top of the extractor using the fitting screws and washer (E) provided. Check that adjustment screw (F) is fitted.

**NOTE:**

Some units this bracket may already be fitted.

Ensuring there is a minimum distance of 65cm between the bottom of the extractor and hob surface, fix the two mounting brackets (G) to the rear wall.

Once the two mounting brackets are in position hook the extractor mounting bracket (D) onto the wall mounting bracket.

Some adjustment is provided within the brackets. For forward and backward adjustment use screw (E) and for height alignment adjust screws (F).

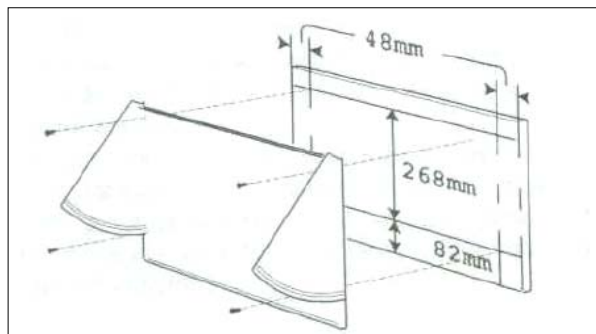
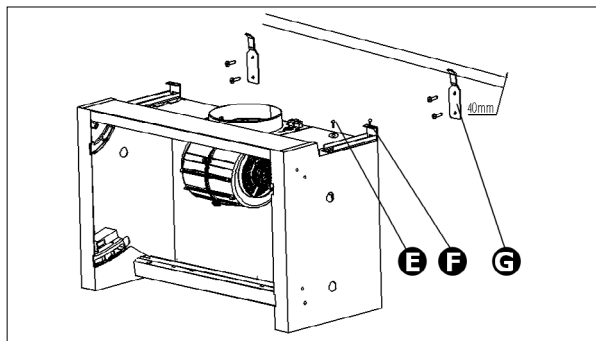
Once the adjustment is complete fully tightening all screws.

If after installation there is a gap between the rear wall and the extractor, a spacer is provided. This can be fixed to the rear of the extractor and cut to accommodate the gap.

### IMPORTANT:

After the extractor has been positioned correctly it must be fixed to the adjacent wall through the fixing holes in the sides of the extractor.

Then fix the furniture door panel to the extractor using the diagram below.



## METHODS OF EXTRACTING

---

### **DUCTED VERSION**

The very best method of cleaning the kitchen of unwanted odours is by connecting the appliance to an exhaust duct and venting to the outside via an exterior wall (suitable 150mm diameter ducting kits may be purchased from [www.caple.co.uk](http://www.caple.co.uk).) Ducting your extractor negates the need for charcoal filters.(Fig.1)

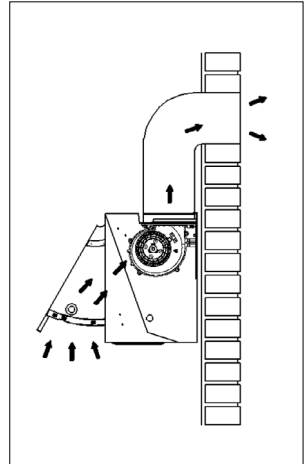
For more information on venting, please see our 'Extraction & Ventilation guide' available at [www.caple.co.uk](http://www.caple.co.uk)

### **IMPORTANT:**

Before drilling or chiselling the wall, check for the pipes and power cables.

### **NOTE:**

150mm diameter ducting must be used to vent this extractor.



1. Ensure the ducting tube is kept as short as possible and with minimum bends to ensure a smooth airflow movement. (Maximum length 3M)
2. Ducted air must not be discharged into a flue which is used for exhausting fumes from appliances supplied with energy other than electricity.
3. Ensure the requirement of the local authorities and building regulations are adhered to concerning the discharged of exhaust air.
4. Ensure adequate room ventilation is provided when the extractor is used on the same room as appliances supplied with energy other than electricity.
5. Never duct into a hot air flow such as a central heating duct.

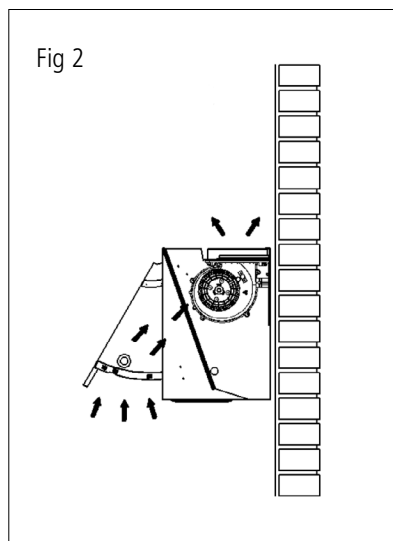
**WE STRONGLY ADVISE THAT ALL EXTERIOR OUTLETS BE FITTED WITH A NON RETURN VALVE WITH LOUVRED SLOTS.**

## RECIRCULATING VERSION

When there is no easy access to an outside wall, the extractor can easily be adapted to clean air polluted by cooking smells by using a charcoal filter (code: CAP73CF).

### NOTE:

A charcoal filter must be used for recirculation mode.



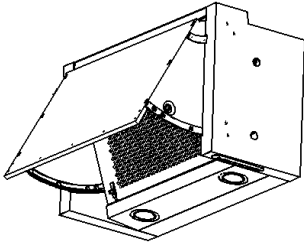
## THE CHARCOAL FILTER

Charcoal filters (CAP73CF) should be replaced at least every 6 months, or sooner with heavier use. These can be purchased directly from [www.caple.co.uk](http://www.caple.co.uk).

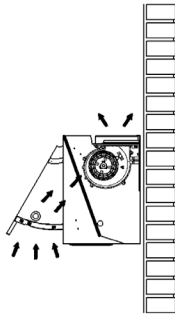
To change the charcoal filter, remove the existing filter by twisting and pulling off. Re-fit the new version by pushing onto the lugs and twisting to the fixed position.

## TOP OUTLET TO REAR DUCTING OUTLET

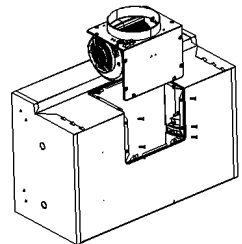
Top extraction and rear extraction modes can be selected depending on the cabinet and other requirements. Please follow the below instructions if the change in extraction is required:



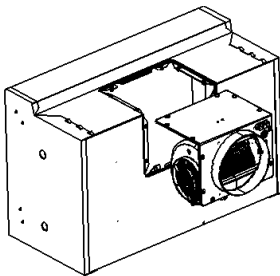
1. Top outlet



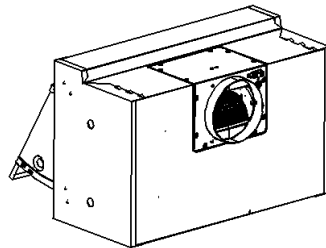
2. Open the front panel, take out the filters and release the wiring tie



3. Remove the transfer screws shown above



4. Rotate the transfer box to the back position and replace the screws



5. The rear outlet is now selected

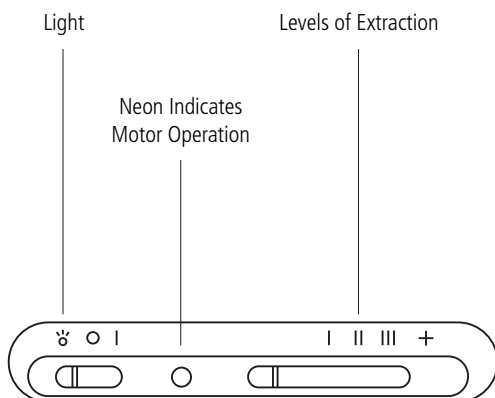
## OPERATION

---

To switch on the light simply move the switch to position 1.

### NOTE:

The light will turn on when the front panel is open and turn off when the front panel is closed.



The motor will automatically operate by opening and closing the front panel as long as the switch is set to the desired speed level. The extractor fan has three speed settings for light, medium or heavy extraction of cooking vapours. The different levels of extraction are number 1, 2 & 3 and can be recognised by the changes in noise level of the extractor fan when operating.

### IMPORTANT:

In order to protect your appliance and minimise the risk of fire, do not prepare flambé dishes under the extractor. Your extractor is designed to draw cooking fumes and vapours up and away from your hob. This means that exposed flames may behave unpredictably in the vicinity of the appliance while it is switch on. When frying take particular care to prevent the oil from catching fire and never leave unattended.

## CLEANING AND MAINTENANCE

---

### **CLEANING AND MAINTENANCE:**

Switch off the extractor before cleaning or maintenance. To prevent surface damage never use abrasive or oil based liquid cleaners. To clean the surfaces of the appliance, use mild detergent and warm water. In areas of high humidity and coastal environments cleaning should be carried out frequently.

### **WARNING:**

A build up of oil may occur if the extractor is not cleaned regularly.

### **GREASE FILTER MAINTENANCE:**

To maintain efficiency, the filters should be removed regularly (approximately monthly), and washed using hot soapy water of the dishwasher.

### **NOTE:**

Some discolouration of the frame may occur if washed in the dishwasher.

### **BULB REPLACEMENT**

This product is supplied with LED bulbs. To replace, isolate the electrical supply, release the spring holding the bulb and remove. Replace with a new bulb of the same type.

### **NOTE:**

The bulb is a consumable part and it not covered by the guarantee.

### **ALWAYS SWITCH OFF THE ELECTRICITY SUPPLY PRIOR TO CHANGING THE BULB.**

## ELECTRICAL CONNECTION

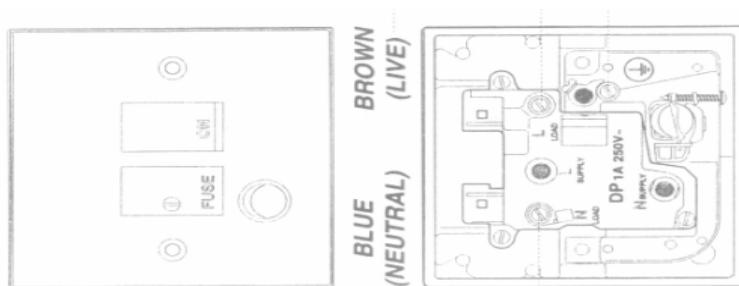
### IMPORTANT:

Ensure that the electricity supply is switched off before connecting.

Your appliance must be connected to fix wiring via the use of a double pole switched fused spur outlet with at least 3 mm contact separation, and preferably with a pilot lamp. (See technical data for fuse rating). We strongly recommend the appliance is connected by a qualified electrician.

### NOTE:

The terminology "DOUBLE POLE" means that both the live and neutral supplies are switched and disconnected at the same time.



The terminals labelled SUPPLY are for the connection of the internal house wiring and the terminals labelled LOAD are for connection of the appliance.

**IMPORTANT:**

The wires in this mains lead are coloured in accordance with the following code:

**BLUE - NEUTRAL****BROWN - LIVE**

As the colours of the wires in the mains lead of this appliance may not correspond with the colours markings identifying the terminals in your spur box, proceed as follow:

The wire which is coloured blue must be connected to the terminal which is marked with the letter "N" or coloured black. The wire which is coloured brown must be connected to the terminal which is marked with the Letter 'L' or coloured red.

**WARNING:**

This appliance has such technical particulars that it belongs to Class 2 insulation and therefore neither wire should be connected to the terminal marked with the letter E or by the earth symbol.

## TROUBLESHOOTING

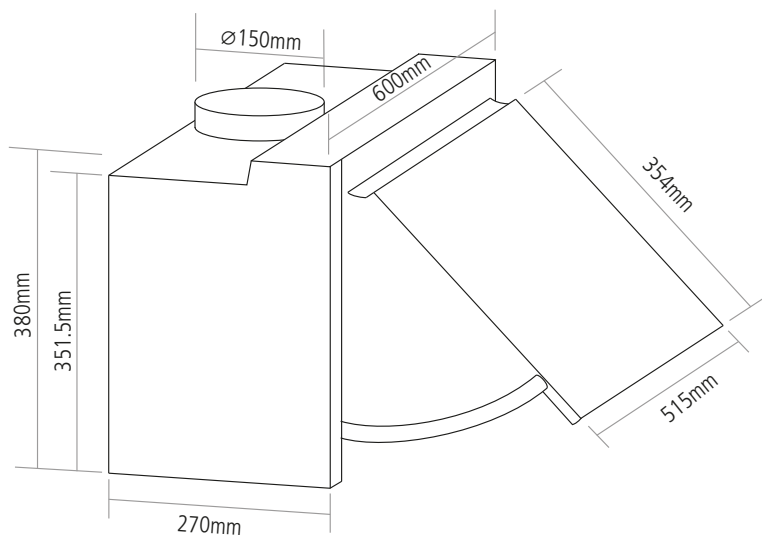
FAULT	SOLUTION
Light bulb doesn't come on	A replacement may be necessary, but first check the extractor is connected to the power supply and switched on. If a replacement is needed remember to disconnect power supply before removing the bulb.
The motor is on but fan doesn't seem to be as efficient as usual	Check grease filter, if it has not been cleaned recently, it might be clogged with grease. If filter is relatively clean, check charcoal filters. If this has not been replaced for more than six months. Remove and insert new a one. As charcoal filters clog in just the same way as the grease filter, thereby reducing the efficiency of both the fan and the filter itself.
Works normally but cooking smells linger	If you're using the unit in re-circulation mode, change charcoal filter. It may be past its prime. Also ensure you switch the extractor on 15 minutes before cooking and leave it running for at least 15 minutes after you finish. This will help clear the cooking odours more efficiently.
Controls fail to switch motor on	Check plug/electrical supply, socket and fuse. If these are in order and fault persists, it could be that an accumulation of grease has impaired the efficiency of the switch mechanism. Try rapidly moving switch on and off several times in succession to clear grease deposit. If fault continues, contact Caple service on 0117 938 7420 or email <a href="mailto:service@caple.co.uk">service@caple.co.uk</a> .
Appliance does not work at all	Check your extractor is switched on at the mains. Next, check for an unexpected power outage by switching on adjacent lights etc. If all is in order, contact Caple Service on 0117 9387420 or email <a href="mailto:service@caple.co.uk">service@caple.co.uk</a> .
Still not working? Call the service agent	If, having consulted the above diagnostic chart you are still unable to remedy the situation, please call Caple service on 0117 938 7420 or email <a href="mailto:service@caple.co.uk">service@caple.co.uk</a> .

If the above table has not solved the problem please contact Caple Service by phone on **0117 938 7420** or by email **[service@caple.co.uk](mailto:service@caple.co.uk)**

## TECHNICAL DATA

---

<b>VOLTAGE</b>	220V~240V / 50Hz
<b>MODEL</b>	INCH
<b>RATED MOTOR INPUT POWER</b>	65W
<b>ILLUMINATION</b>	≤ 2W+2W (LED lamp)





Caple Service  
Fourth Way  
Avonmouth  
Bristol  
BS11 8DW

T: 0117 938 1900  
E: [service@caple.co.uk](mailto:service@caple.co.uk)  
[www.caple.co.uk](http://www.caple.co.uk)