



Installation Guide

Quality, Design and Innovation



home.liebherr.com/fridge-manuals



LIEBHERR

General safety instructions

Contents

1	General safety instructions	2
2	Setup conditions	2
2.1	Space.....	2
2.2	Setting up multiple appliances.....	2
2.3	Electrical connection.....	3
3	Appliance dimensions	3
4	Recess dimensions	4
4.1	Internal dimensions.....	4
5	Ventilation requirements	4
6	Transporting the appliance	5
7	Unpacking the appliance	5
8	Setting up the appliance	5
8.1	After setup.....	5
9	Disposal of packaging	5
10	Explanatory symbols used	5
11	Reversing the door	6
12	Water connection*	8
13	Connect the water supply	9
14	Fit the appliance into the recess	9
15	Cabinet fronts	16
15.1	Dimensions.....	16
15.2	Mounting the cabinet front(s).....	17
15.3	Setting the clearance to avoid collision.....	17
16	Water tank	18
16.1	Inserting the water tank.....	18
17	Water filter	18
17.1	Installing the water filter.....	18
18	Connecting the appliance	18

The manufacturer is constantly working to improve all models. Therefore please understand that we reserve the right to make design, equipment and technical modifications.



To get to know all the benefits of your new appliance, please read the information contained in these instructions carefully.


The instructions apply to several models, so there may be differences. Sections which only apply to certain appliances are indicated with an asterisk (*).

Instructions requiring the user to take action are marked with , the results of an action are marked with a .

1 General safety instructions

- Only install, connect and dispose of the appliance in accordance with the instructions.
- The socket must be easily accessible so that the appliance can be disconnected from the mains quickly in an emergency. It must not be behind the back of the appliance.

	DANGER	indicates a hazardous situation, which if not avoided, will result in death or serious injury.
	WARNING	indicates a hazardous situation, which if not avoided, could result in death or serious injury.

	CAUTION	indicates a hazardous situation, which if not avoided, will result in minor or moderate injury.
	NOTICE	indicates a hazardous situation, which if not avoided, could result in damage to property.
	Note	indicates useful advice and tips.

2 Setup conditions



WARNING

Risk of fire due to moisture!

If live parts or the power cord get wet, this can cause a short circuit.

- The appliance is designed for use in enclosed spaces. Do not operate the appliance in open space or in damp areas or where there is spray.

Normal use

- Only set up and use the appliance in enclosed spaces.
- Only use once installed.

2.1 Space



WARNING

Risk of fire due to refrigerant.

The refrigerant contained within the appliance is environmentally friendly, but flammable. Leaking refrigerant can ignite.

- Do not damage the pipes of the refrigerant circuit.

- If the appliance is installed in a very damp environment condensate water may form on the outside of the appliance. Always make sure the installation area is well ventilated. .
- The more refrigerant is in the appliance, the larger the room must be where the appliance is located. In the case of a leak, a flammable gas-air mixture may be created in a room that is too small. For every 8 g of refrigerant, the installation space must be at least 1 m³. Specifications regarding the refrigerant contained within the appliance can be found on the rating plate inside the appliance.

2.1.1 Installation surface

- The floor of the installation site must be horizontal and level.
- If the floor is not completely even, level the cabinet with supports.

2.1.2 Installation position

- Do not install the appliance in direct sunlight or next to an oven, heater, or similar heat source.
- Only install the appliance in solid cabinets.

2.2 Setting up multiple appliances

NOTICE

Risk of damage caused by water condensate!

- Do not install this device directly beside another fridge/freezer compartment.

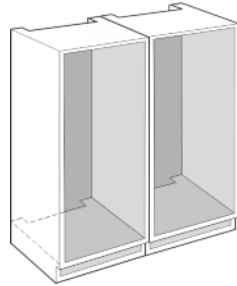
NOTICE

Risk of damage caused by water condensate!

- Do not stack the appliance directly on top of another.

These appliances are designed for different types of installation. Only combine appliances if the appliances are designed for this. The following table shows the installation options by model:

Setup type	Model
Single	All models
Side-by-Side (SBS)	Model that start with S... See the SBS setup for positioning.
Stacked	Models up to maximum recess height of 880 mm and with heated top can be "stacked". Top appliance: to the max. recess height of 140 mm



Install each appliance into its own recess.

2.3 Electrical connection



WARNING

Risk of fire due to short circuit.

If the power cable or plug of the appliance or another appliance and the back of the appliance touch each other the power cable or plug will be damaged by the vibrations of the appliance which could lead to a short circuit.

- ▶ Install the appliance so that it does not touch any plugs or power cables.
- ▶ Do not connect the appliance or other appliances to the sockets on the back of the appliance.

3 Appliance dimensions

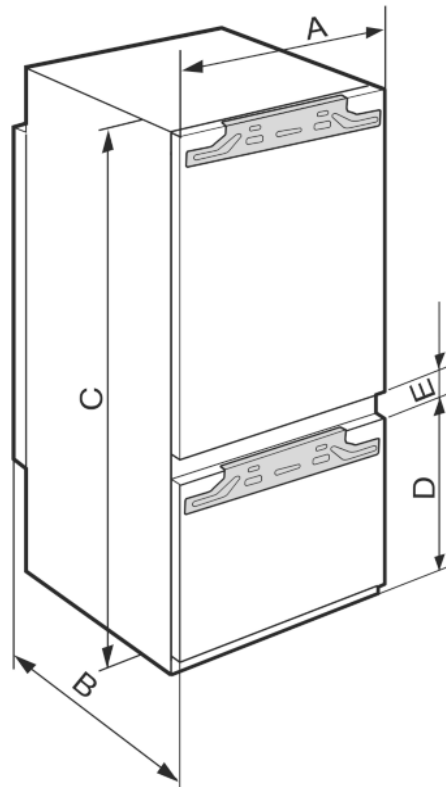


Fig. 1

	A (mm)	B (mm)	C (mm)	D (mm)	E (mm)
ICB/b/c/i/d/ 51..				549	15
IC/e/d51.. / S/ICN/f/d/e/i51.. / ICBN/c/e/l/d/51.. /IKG 5Z1ea3/IKGN 5Z1fa3	559	546	1770	695	

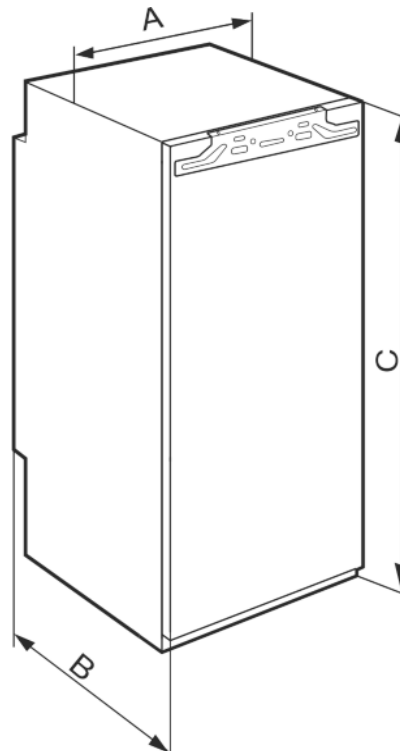


Fig. 2

Recess dimensions

	A (mm)	B (mm)	C (mm)
IR/f/e/d/c39.. SIBc39..	559	546	872
IRe40../ IRBd40..			1022
IR/e/ d41../IRB/b/d/ i41..			1218
IRe45../ IRBd45..			1395
IRBe48..			1572
IR/f/e51../ IRD/c/e/d/i/51../ IRBPdi51../ IK 5Z1/fa1/ea0			1770

	F (mm)*	G (mm)*	H (mm)*	J (mm)*	L (mm)*
IR/f/e/d/ c39.. SIBc39../ IK 3Z9/fa0/fa 1	874 — 890	560 — 570	min. 550, recom- mended 560	min. 500	max. 19
IRe 40../ IRBd 40..	1024 — 1040				
IR/e/d 41../IRB/b/ d/i 41..	1220 — 1236				
IRe 45../ IRBd 45..	1397 — 1413				
IRBe 48..	1574 — 1590				
IR/f/e 51../ IRD/c/e/d/i/ 51.. / IC/e/d 51.. / S/ICN/f/d/e /i 51.. / ICB/N/c/e/l /d/ 51.. / IRBPdi 51../IK 5Z1/fa1/ea 0/ IKG 5Z1ea3/ IKGN 5Z1fa3/ ISKGN 5Z1fa3	1772 — 1788				

4 Recess dimensions

4.1 Internal dimensions

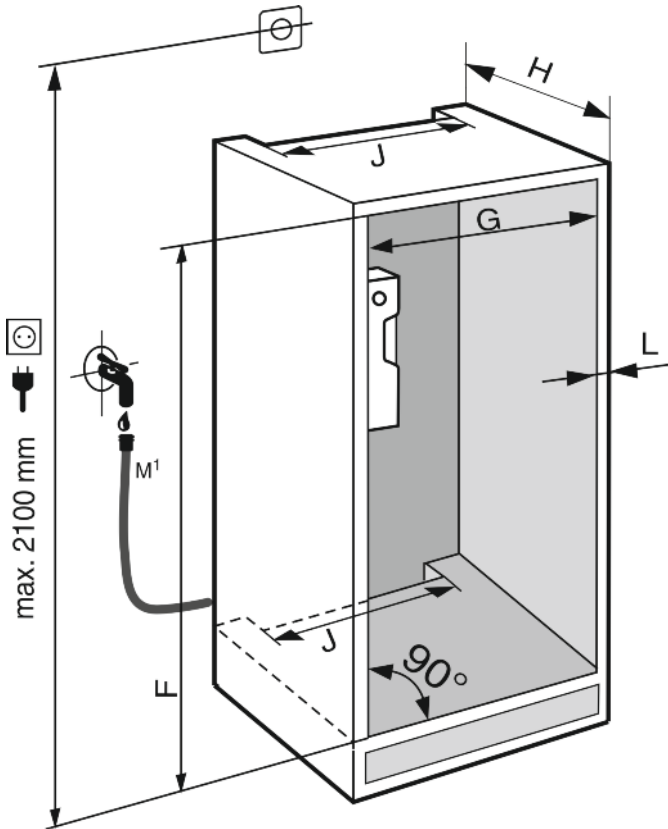


Fig. 3*

M¹): Only IRBdi 5180/5190, ICNdi 5173, ICBNd/i 5163/73/83, ICBdi 5182*

The declared energy consumption was determined with a kitchen cabinet depth of 560 mm. The appliance is fully functional with a kitchen cabinet depth of 550 mm but will have a slightly increased level of energy consumption.

- ▶ Check the wall thickness of adjacent cabinets: It must be min. 16 mm.
- ▶ Only install the appliance in solid, fixed kitchen cabinets. Ensure that the cabinets cannot tip over.
- ▶ Align the cabinets with a spirit level and a try square. If necessary, level them by putting something underneath them.
- ▶ Ensure that the floor and the side panels of the cabinet are at right angles to each other.

5 Ventilation requirements



WARNING

Danger of fire and damage due to blocked ventilation openings!

- ▶ Never block the ventilation openings. Always ensure good ventilation!

Comply with the ventilation gaps:

- The depth of the ventilation shaft on the back wall of the cabinet must be at least 38 mm.
- The ventilation cross-sections in the cabinet base and cabinet setup above require at least 200 cm².
- Basically, the bigger the ventilation gap, the more energy-saving the operation of the appliance.

Sufficient ventilation is required for the appliance to operate correctly. The pre-fitted vents ensure an effective air-flow cross-

section on the appliance of 200 cm². If you replace the vents with a cover panel, it must have at least an equal or larger air-flow cross-section than the manufacturer's vent.

6 Transporting the appliance

- ▶ Transport the appliance in its packaging
- ▶ Transport the appliance upright
- ▶ Do not move the appliance on your own

7 Unpacking the appliance

If the appliance is damaged check with the supplier immediately before connecting it.

- ▶ Check the appliance and packaging for damage during transport. If you suspect any damage, please contact your supplier immediately.
- ▶ Remove all materials that could prevent it from being installed properly or prevent proper ventilation from the back or the side panels of the appliance.
- ▶ Remove the mains cable from the back of the appliance. Also remove the cable holder, otherwise there will be vibration noise!

8 Setting up the appliance



CAUTION

Risk of personal injury!

- ▶ Have two people move this appliance into place.



WARNING

Danger of tilting.

- ▶ To avoid a hazard due to instability of the appliance, it must be fixed in accordance with the instructions.



WARNING

Danger of fire and damage!

- ▶ Do not place devices that give off heat, e.g. microwaves, toasters, etc. on the appliance.

If possible, have a professional install the appliance in your kitchen cabinet unit.

Do not install the appliance without assistance.

8.1 After setup

- ▶ Remove all transport packaging.

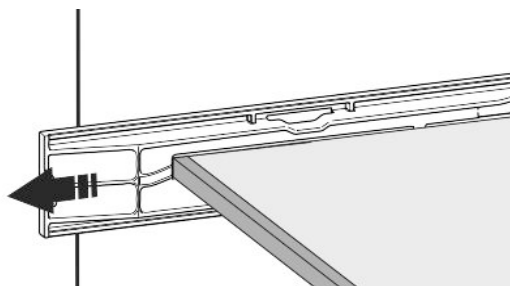
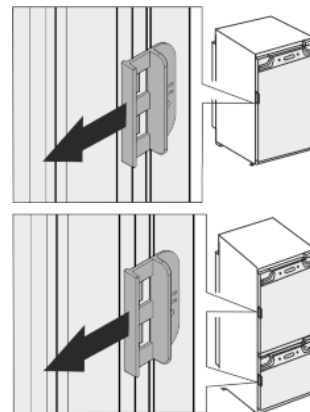


Fig. 4

- ▶ Remove the red transport safety device.



- ▶ Clean the appliance (see User Guide, Cleaning the appliance).

9 Disposal of packaging



WARNING

Danger of suffocation from packaging materials and films!

- ▶ Do not allow children to play with packaging materials.

The packaging is made from recyclable materials:

- Corrugated card/cardboard
- Parts made of foamed polystyrene
- Films and bags from polyethylene
- Packing bands from polypropylene
- Wood frame nailed together with a polyethylene window*
- ▶ Take the packaging material to an official collection point.



10 Explanatory symbols used

	There is the risk of injury when doing this! Obey the safety instructions!
	These instructions apply to several models. Only perform this step if it applies to your appliance.
	To install, please follow the detailed description in the Guide.
	This section applies either to a single-door appliance or a double-door appliance.
	Choose between the options of having the appliance with the door stop on the right or on the left.
	Installation step necessary with IceMaker and/or InfinitySpring.

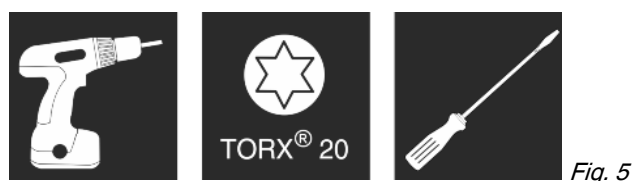
Reversing the door

	Loosen or tighten screws slightly.
	Tighten the screws fully.
	Check whether the following step is necessary for your model.
	Check the components are in correctly.
	Measure the given dimensions and correct if necessary.
	Installation tool: Meter stick
	Installation tool: Cordless screwdriver and adapter.
	Installation tool: Spirit level.
	Installation tool: Wrench with SW 7 and SW 10.
	Two people are required for this step.
	This step takes place at the selected location of the appliance.
	Installation aid: String.
	Installation aid: Square.
	Installation aid: Screwdriver.

	Installation aid: Scissors.
	Installation aid: Marker pen, removable.
	Accessories: Remove components.
	Dispose of components that are no longer needed.

11 Reversing the door

Tool



NOTICE

Live parts
 Damage to electrical parts
 ► Before changing the door hinge, disconnect the plug at the mains.

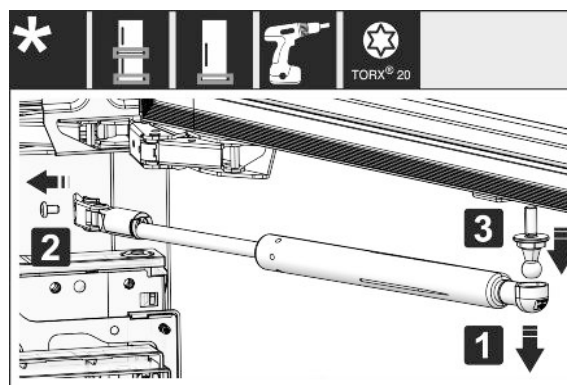


Fig. 6

► Removing the soft stop damper: Remove the soft stop damper from the ball stud (1). Unscrew the retainer (2). Remove the ball stud with a screwdriver (3).

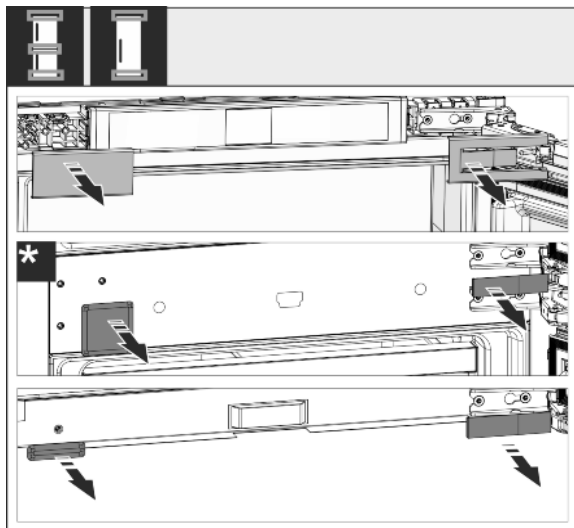


Fig. 7

- Remove covers.

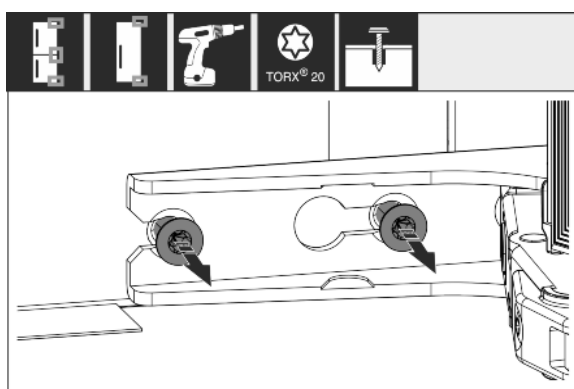


Fig. 8

- Loosen the screws on **all** hinges but do not remove them.

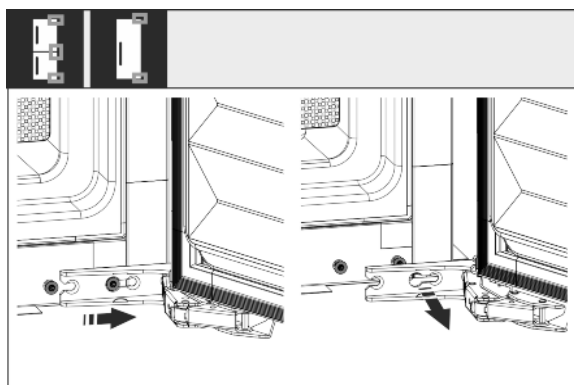


Fig. 9

- Remove the door: Push the door forward and then out, unhook it and put it to one side.

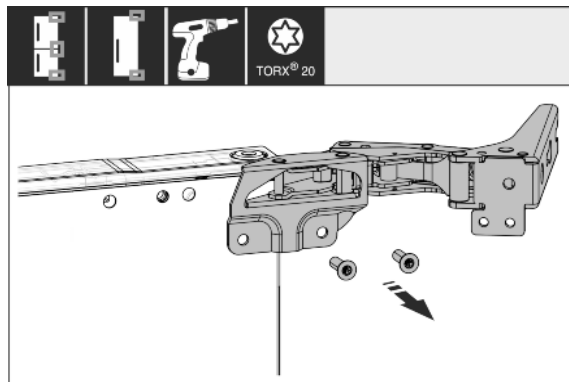


Fig. 10

- Unscrew all hinges and set aside together with the screws.

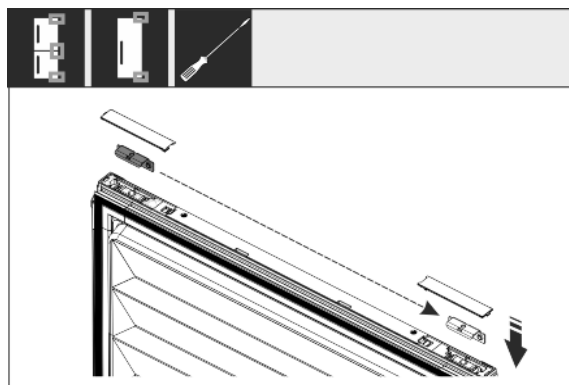


Fig. 11

- Loosen and shift the bracket at the top and bottom of the door. The bracket must be shifted so you can screw on the hinges.

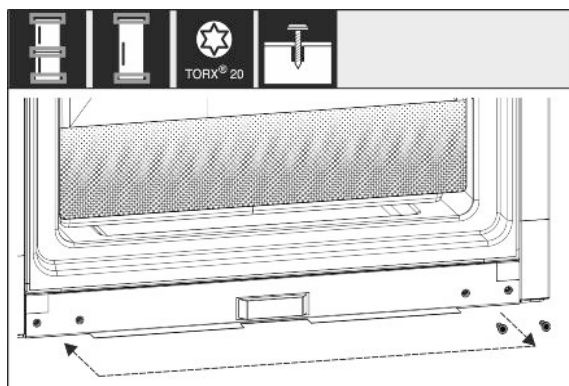


Fig. 12

- Shift the screws to fasten the hinge. Do not screw tightly after shifting – you need to hang the hinges later.

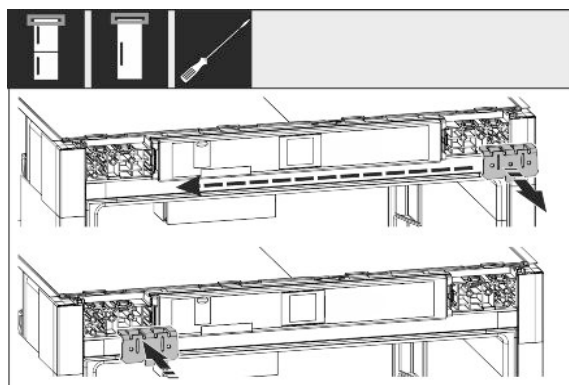


Fig. 13

- Swap the fixing bracket to the opposite side.

Water connection*

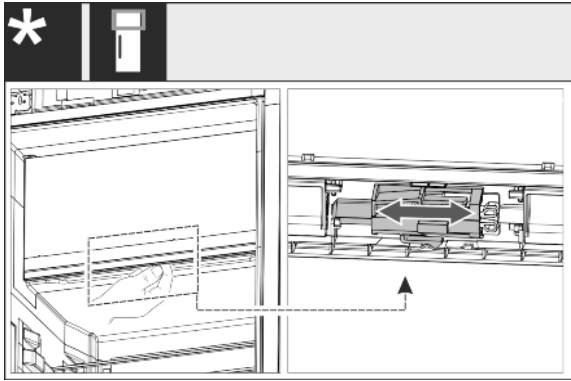


Fig. 14

- ▶ For one-door appliances: Change the door stop of the 4-star compartment by moving the lever. The door of the 4-star compartment must be closed. Move the lever from the bottom of the back of the door.

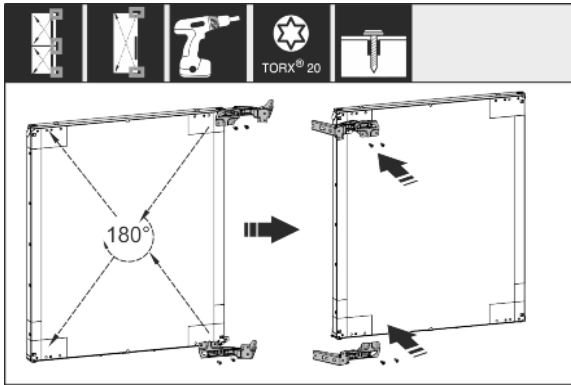


Fig. 15

- ▶ Turn all hinges 180° to the opposite side and screw firmly.

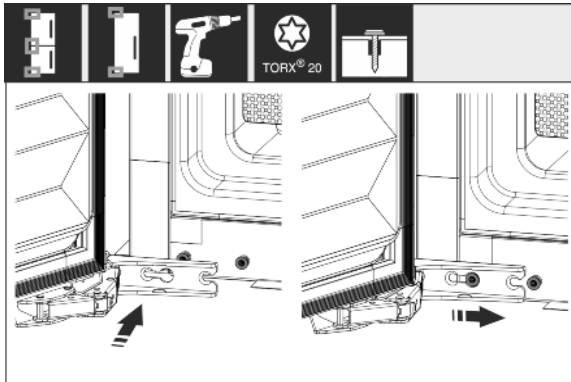


Fig. 16

- ▶ Refitting the door: Hang the door with its hinges and tighten the screws.

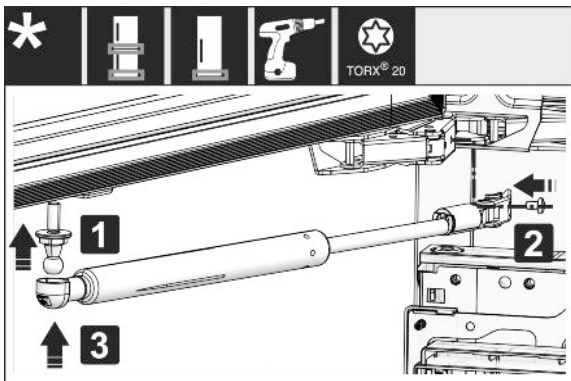


Fig. 17

- ▶ Refit the closing dampers: Screw in the ball studs (1), tighten the bracket (2), and hang the closing dampers in the ball studs.
- ▶ Check all screws and retighten if necessary.

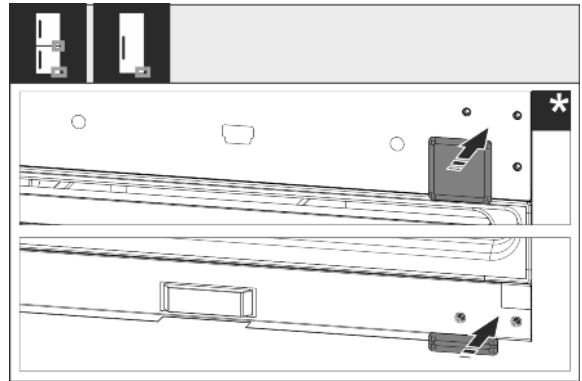


Fig. 18

- ▶ Reassemble the bottom and center cover. Only replace the remaining covers after installing the appliance back into the cabinet.

12 Water connection*



WARNING

Electricity and water!
Electric shock

- ▶ Before connecting to the water hose: Disconnect the appliance from the mains.
- ▶ Before connecting to water lines: Shut off the water supply.
- ▶ The drinking water connection may only be carried out by a qualified gas and water installer.



WARNING

Contaminated water!
Poisoning.

- ▶ Only connect to the drinking water supply.

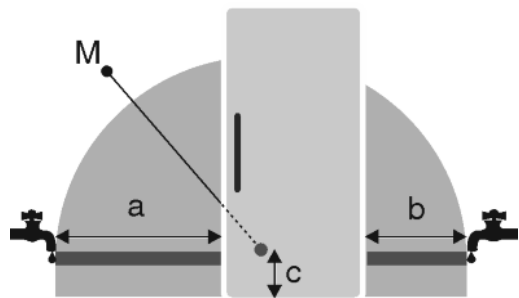


Fig. 19

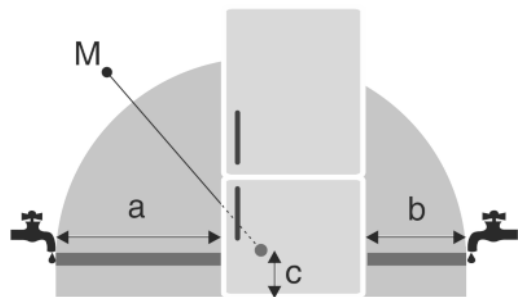


Fig. 19

a	b	c	M
~ 1200 mm	~ 1200 mm	~ 55 mm	Solenoid valve

Connect the water supply

The appliance's water connection and inlet solenoid valve are suitable for a water pressure of up to 1 MPa (10 bar).

Specifications for proper operation (flow rate, ice cube size, noise level):

Water pressure	
bar	MPa
1.5 to 6.2	0.15 to 0.62

Water pressure if using the water filter:	
bar	MPa
2.8 to 6.2	0.28 to 0.62

If the pressure exceeds 0.62 MPa (6.2 bar): Activate the pressure reducer first.

Ensure that the following conditions are met:

- Water pressure is maintained.
- Water is supplied to the appliance via the cold water supply, which withstands the operating pressure and complies with hygiene regulations.
- You are using the supplied hose. Old hoses are disposed of.
- The hose fitting contains a collecting filter with a gasket
- There is a stopcock between the hose and the household connection to shut off the water supply if necessary.
- The stopcock is located outside the back of the appliance and is easily accessible so that the appliance can be far back as possible and the valve can be turned on quickly, if necessary. Distance dimensions are adhered to.
- All equipment and devices used for the water supply comply with the applicable regulations of the country of use.
- The back of the appliance must be accessible.
- Do not damage or buckle the hose when setting it up.

13 Connect the water supply

Connect the hose to the appliance

The solenoid valve is located at the bottom of the back of the appliance. Its connecting thread is R3/4.

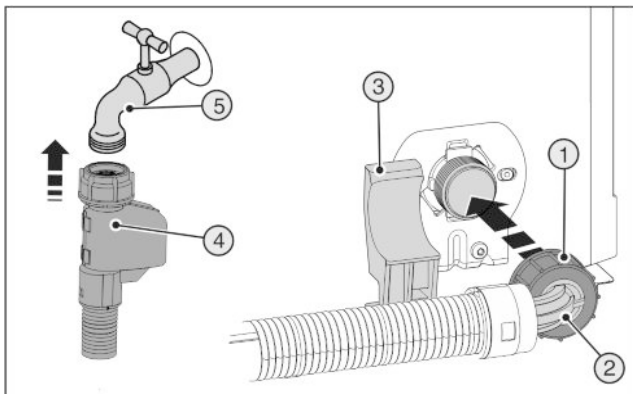


Fig. 20

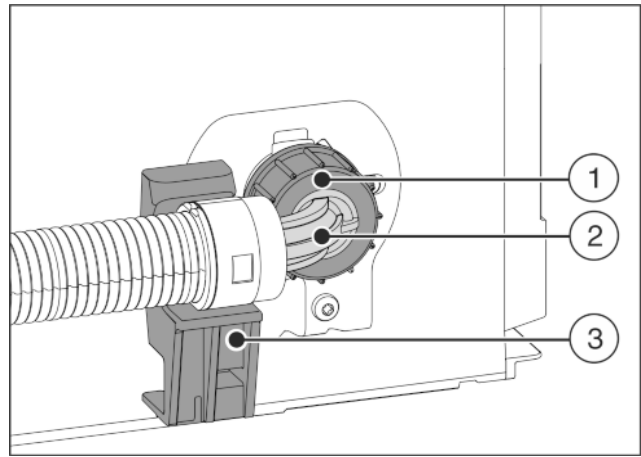


Fig. 21

- ▶ Position and hold the angled hose end Fig. 21 (2) horizontally at the holder Fig. 21 (3).
- ▶ Screw the nut Fig. 21 (1) onto the thread by hand until securely in place.

Connect the hose to the stopcock

- ▶ Connect the straight end of the hose Fig. 20 (4) to the stopcock Fig. 20 (5).

Checking the water system

- ▶ Slowly open the mains stopcock of the water supply. Before installing in the recess:
 - ▶ Check the entire water system for leaks.
- ▶ After installing in the recess:
 - ▶ Clean the IceMaker (see User Guide, Maintenance).
 - ▶ Clean the IceMaker (see User Guide, Maintenance).

Venting the water system

The system should be vented in the following situations:

- Initial commissioning
- Changing the InfinitySpring water tank

Make sure that the following requirements are fulfilled

- Appliance is fully installed and connected
- Water tank is inserted (see User Guide, Maintenance)
- Water filter is inserted (see User Guide, Maintenance)
- Appliance is on
- ▶ Open the appliance door.
- ▶ Take a glass and press it against the lower part of the InfinitySpring dispenser.
 - ▷ The top section moves out and air or water is dispensed into the glass.
 - ▶ Continue the process until a steady flow of water pours into the glass.
 - ▷ There is no more air in the system.
 - ▶ Clean the InfinitySpring (see User Guide, Maintenance).

14 Fit the appliance into the recess

Tool

Fit the appliance into the recess



Supplied installation parts

Fig. 22

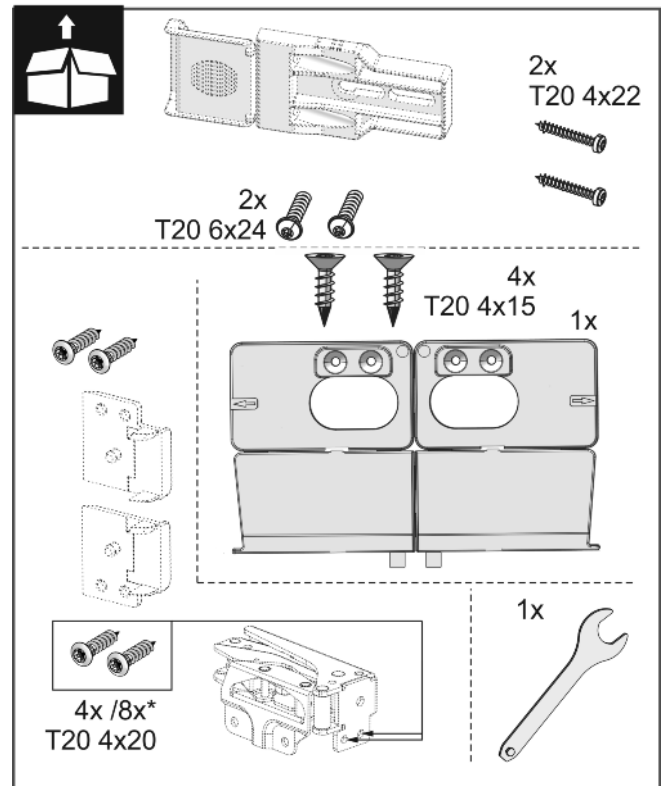
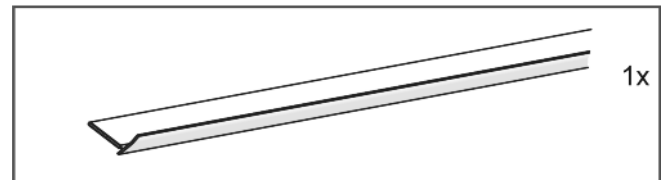
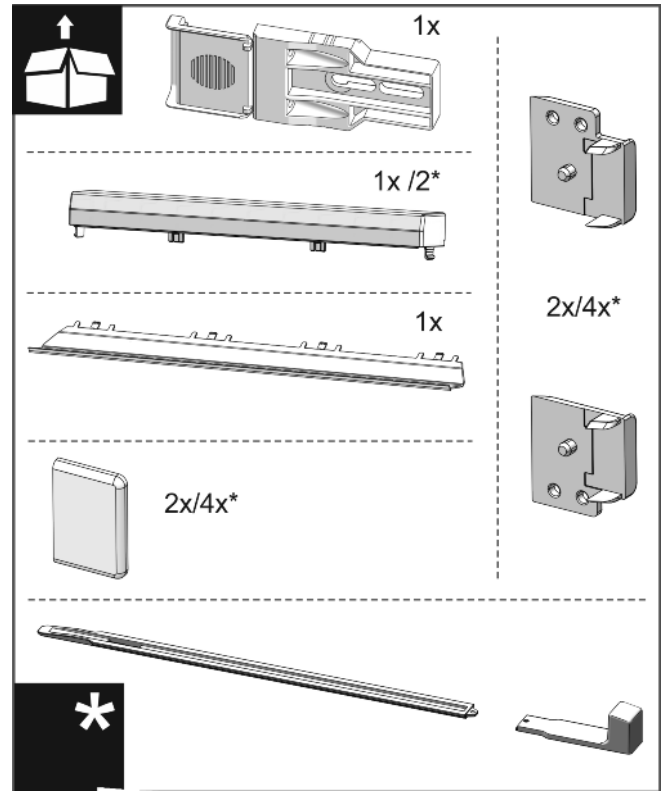


Fig. 23

Fit the appliance into the recess

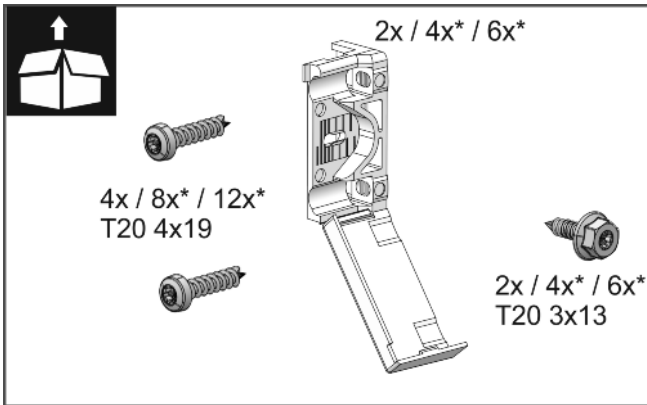


Fig. 24

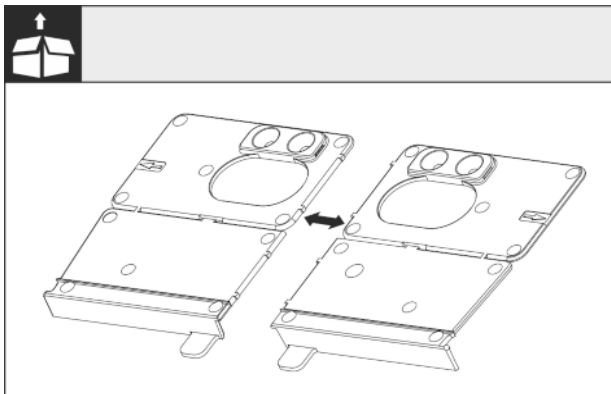


Fig. 25

- ▶ Separate the mounting bracket at the perforation.

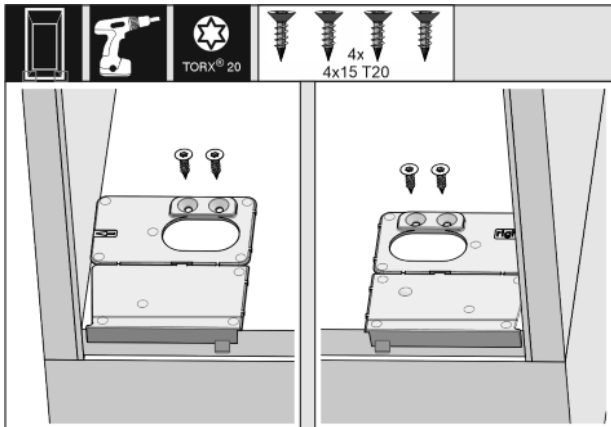


Fig. 26

NOTICE

Correct installation depth of the appliance.

- ▶ Using the mounting bracket ensures the correct installation depth of the appliance.
- ▶ Screw the mounting brackets on the left and right of the recess floor, flush to the side wall.

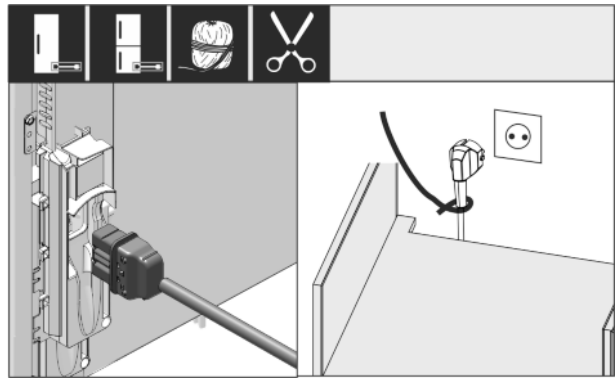


Fig. 27

- ▶ Remove the power cable from the package and plug it into the back of the appliance. Use a cable lug to lay the power plug cord to the accessible socket.

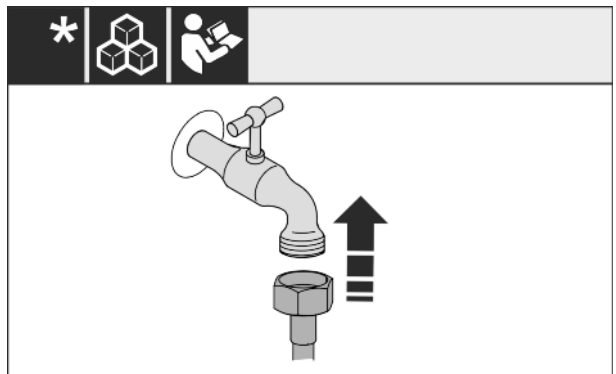


Fig. 28

- ▶ If applicable, install the water connection at this point, as instructed in the User Guide.

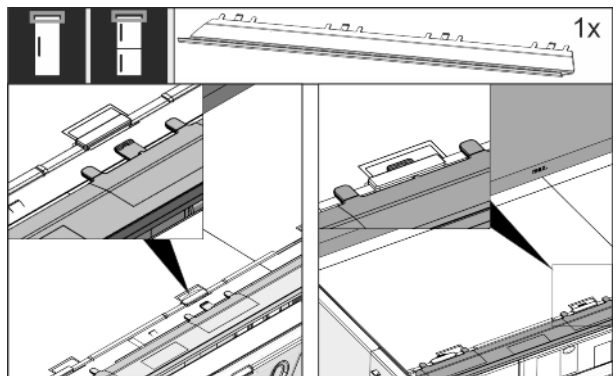


Fig. 29

- ▶ Insert the adapter panel on the top of the appliance. The panel can be moved to both sides.

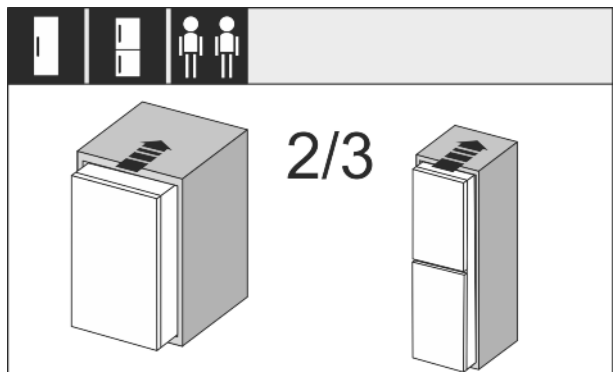


Fig. 30

- ▶ Slide the appliance 2/3 of the way into the cabinet recess.

Fit the appliance into the recess

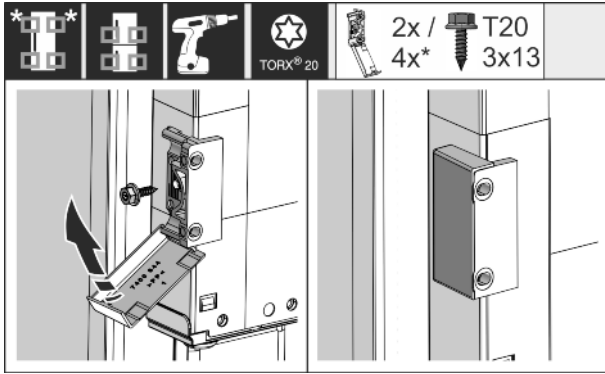


Fig. 31

- ▶ Assemble the mounting bracket. Attach the mounting brackets to align with the cabinet door handles. If the door is large use four mounting brackets in total. After assembly, fold the covers onto the bracket.

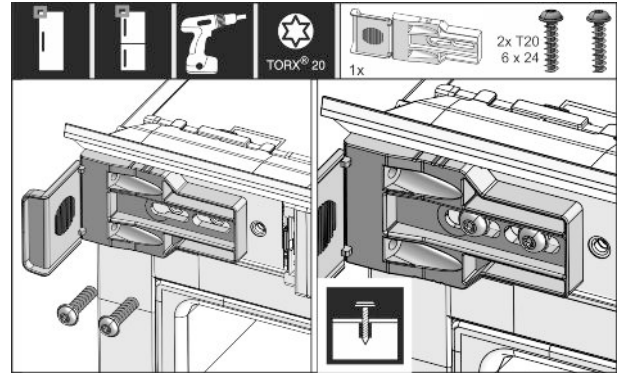


Fig. 35

- ▶ Loosely screw on the mounting bracket. The bracket should still be easy to move.

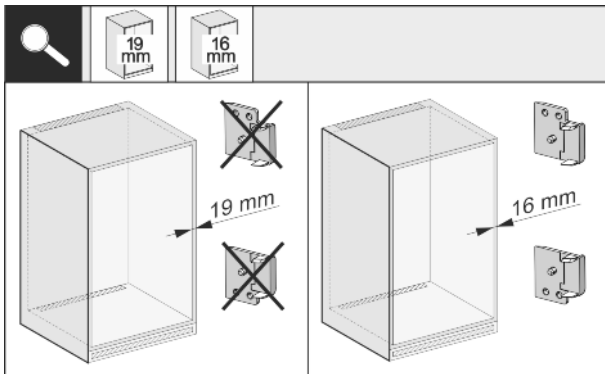


Fig. 32

- ▶ Check if the cabinet side wall is 16 mm or 19 mm thick.

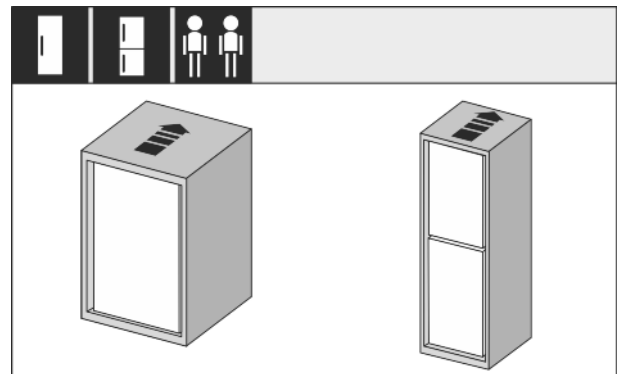


Fig. 36

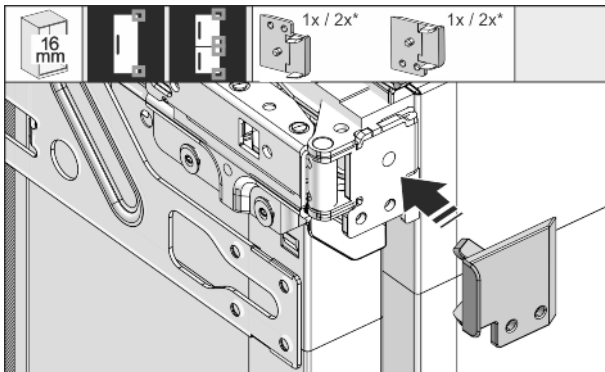


Fig. 33

- ▶ For 16 mm-thick cabinet walls: clip a spacer onto all the hinges. For 19 mm-thick cabinet walls: no spacer required.

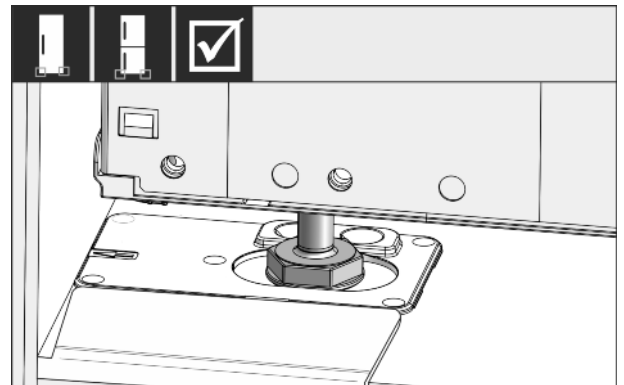


Fig. 37

- ▶ Now fit the appliance all the way into the cabinet recess. The adjusting feet must sit on both sides in the grooves of the stoppers.

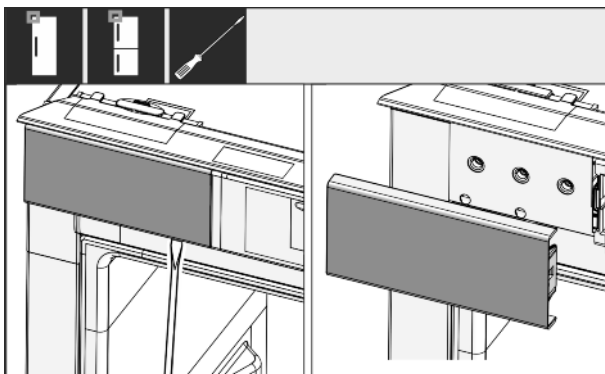


Fig. 34

- ▶ Use a screwdriver to loosen the cover on the top left and then remove it.

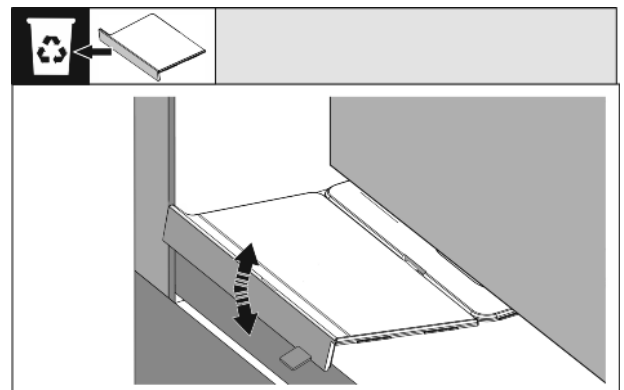


Fig. 38

- ▶ Remove front stopper of the mounting bracket base. Loosen the stopper by moving it and, if necessary, pull it off with the help of pliers.

Fit the appliance into the recess

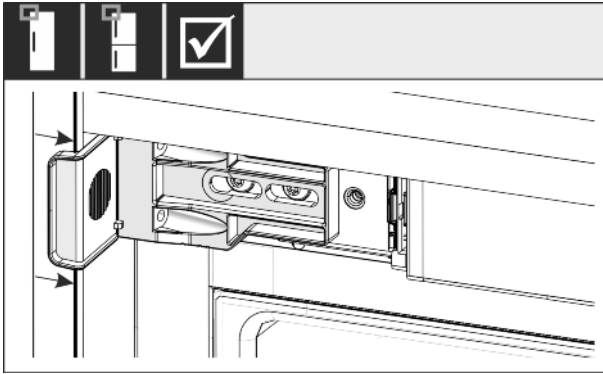


Fig. 39

- ▶ Check that the appliance is flush in the cabinet recess. The mounting bracket must be attached to the side wall of the cabinet recess.

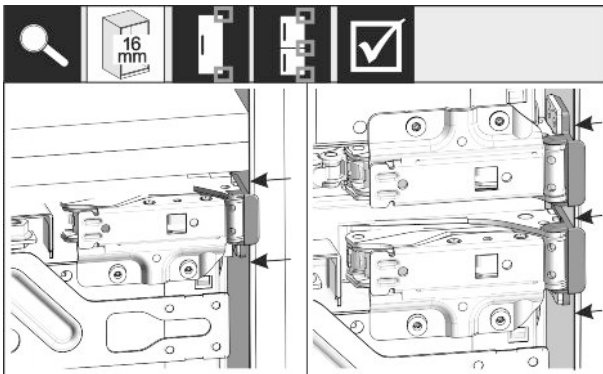


Fig. 40

- ▶ With 16 mm-thick cabinet side walls, the hinge-side sections must strike at the cabinet recess.

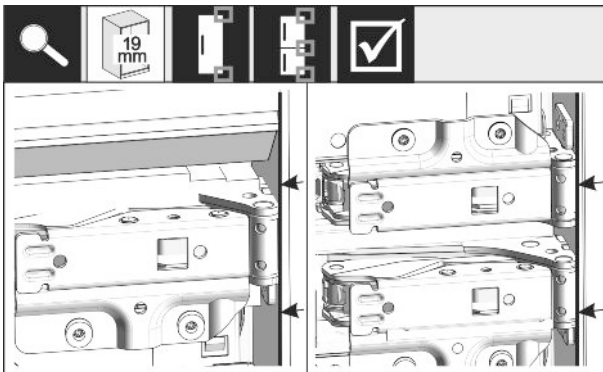


Fig. 41

- ▶ For 19 mm-thick cabinet side walls, align the front edges of the hinges flush to the front of the cabinet side wall.

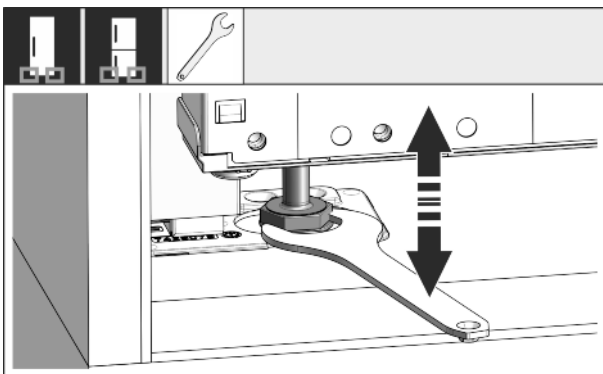


Fig. 42

- ▶ If necessary, level the appliance using the adjusting feet.

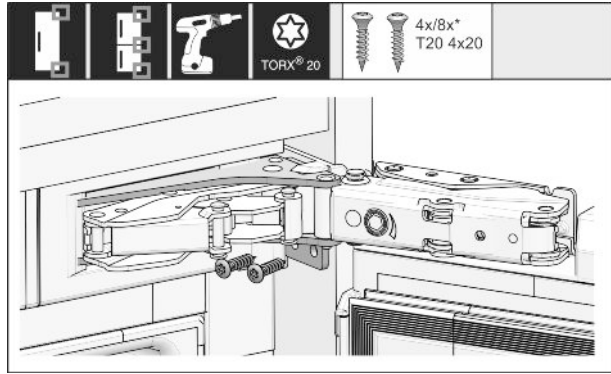


Fig. 43

- ▶ Screw the appliance on the hinge side at this point.

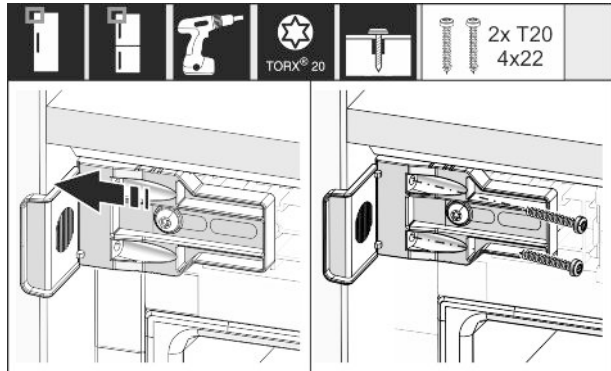


Fig. 44

- ▶ Move the bracket so it sits flush on the side wall of the cabinet recess. Tighten all the screws firmly.

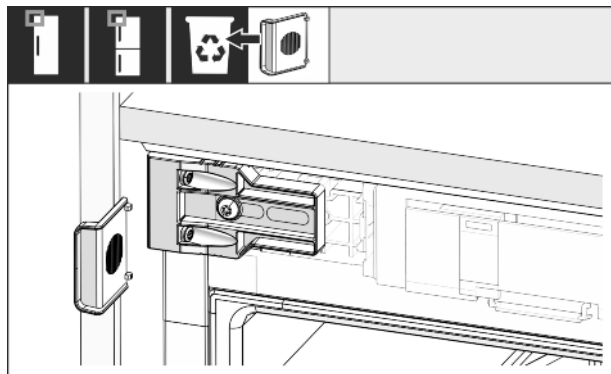


Fig. 45

- ▶ Remove the stop from the bracket on the handle side and dispose of it.

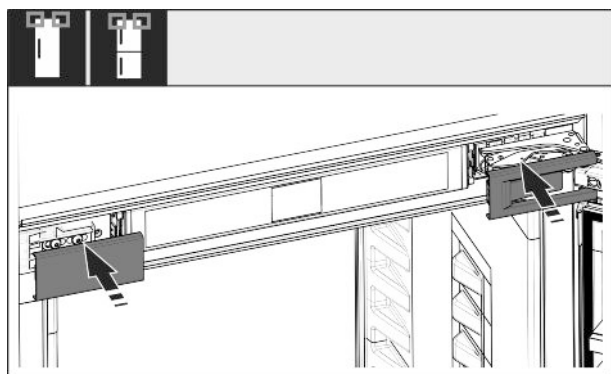


Fig. 46

- ▶ Place the cover.

Fit the appliance into the recess

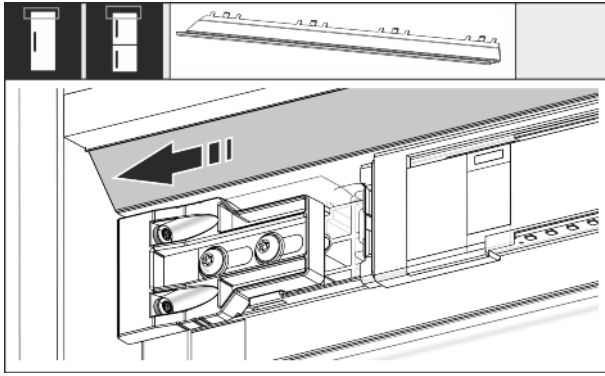


Fig. 47

- ▶ Move the cover panel so it sits flush on the side of the cabinet wall.

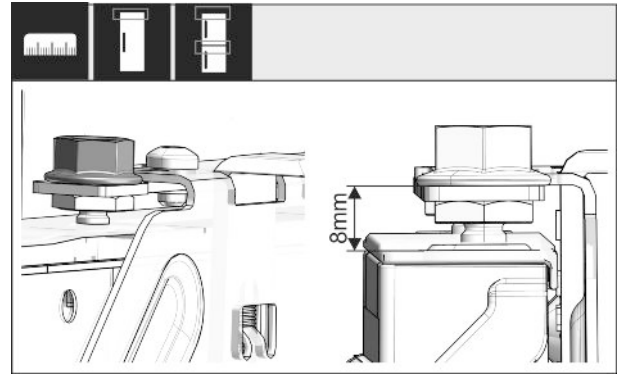


Fig. 50

- ▶ Close the door and check the 8 mm gap from the top edge of the appliance door to the crosspiece support

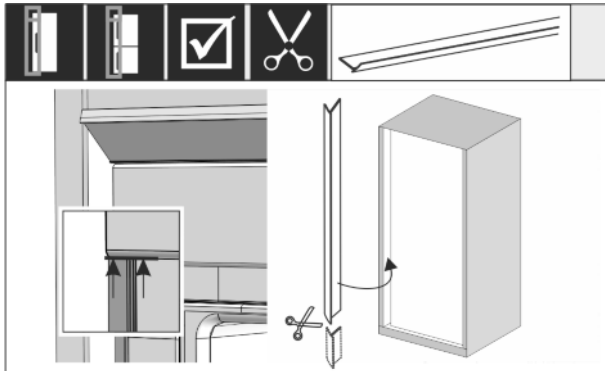


Fig. 48

- ▶ The trim is magnetic. Place the trim below the top cover and press. If necessary, shorten the trim to the required length with a sharp pair of scissors.

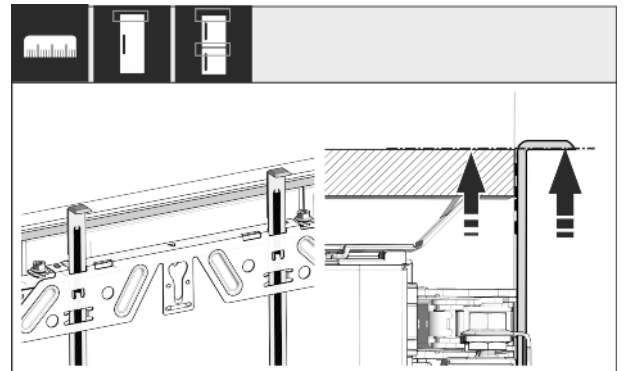


Fig. 51

- ▶ Push up mounting aids to the height of the cabinet door. Bottom stop edge of the fitting aid = top edge of the door to be fitted.

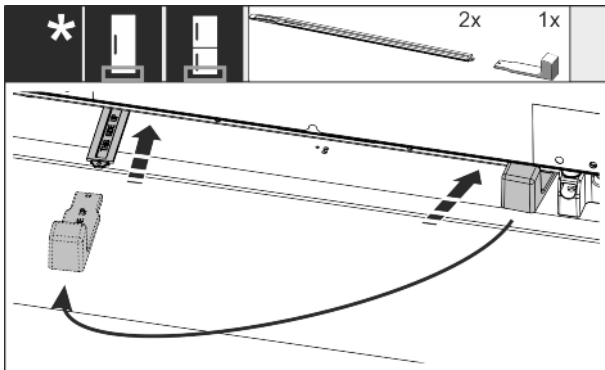


Fig. 49

- ▶ The height adjustment is only supplied as standard from a recess height of 140 cm and is used to optimize noise levels.
- ▶ To stabilize the back of the appliance at the bottom: Insert the handle to the rail of the height adjustment and slide the rail into the appliance base. Remove the handle and do the same with the second rail.

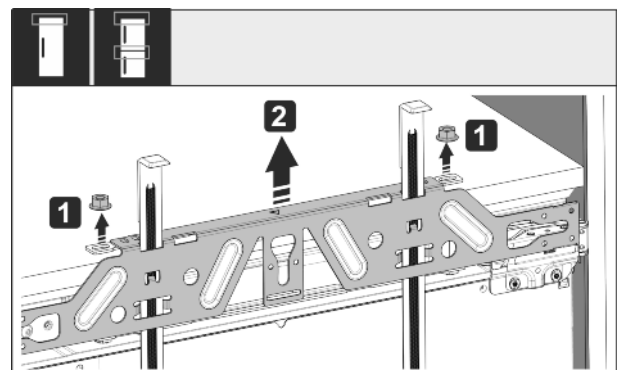


Fig. 52

- ▶ Undo the counter nuts and remove the crosspiece.

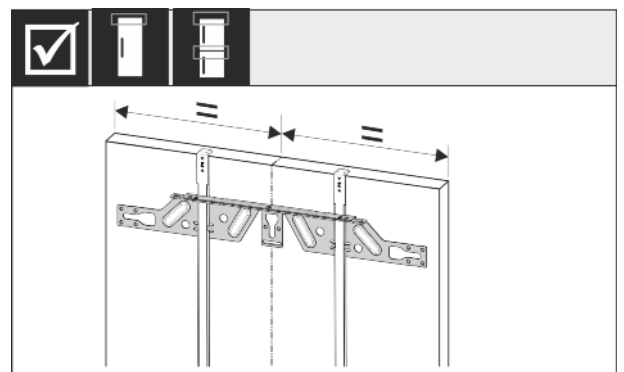


Fig. 53

- ▶ Center-align the crosspiece on the inside of the cabinet door.

Fit the appliance into the recess

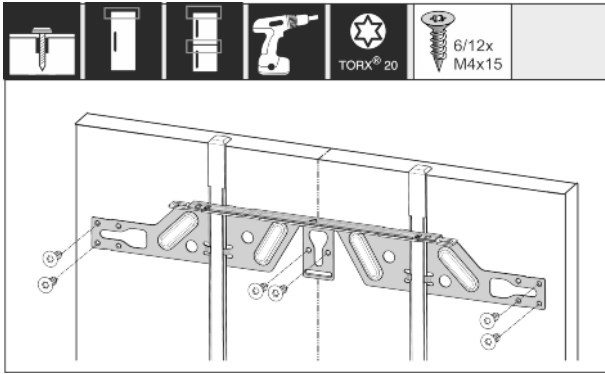


Fig. 54

- ▶ With chipboard doors fit the crosspiece with at least 6 screws and at least 4 screws for frame and panel doors.

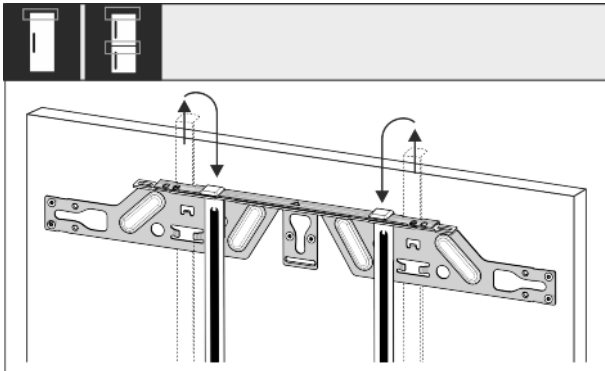


Fig. 55

- ▶ Remove the fitting aids, turn round and insert into the adjacent opening.

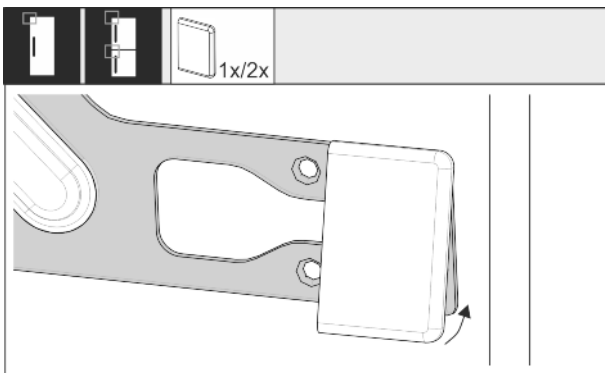


Fig. 56

- ▶ Clip the cover on the crosspiece on the handle side.

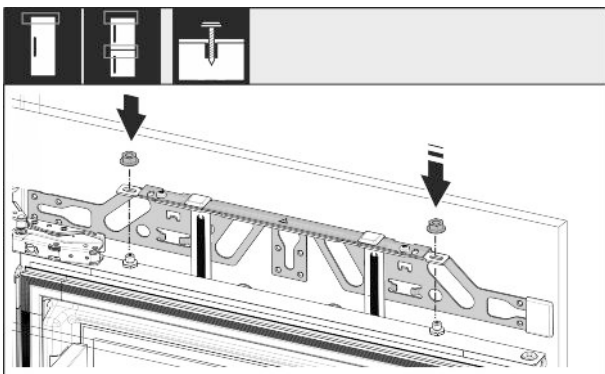


Fig. 57

- ▶ Attach the unit door and loosely screw the lock nuts onto the adjusting bolts.

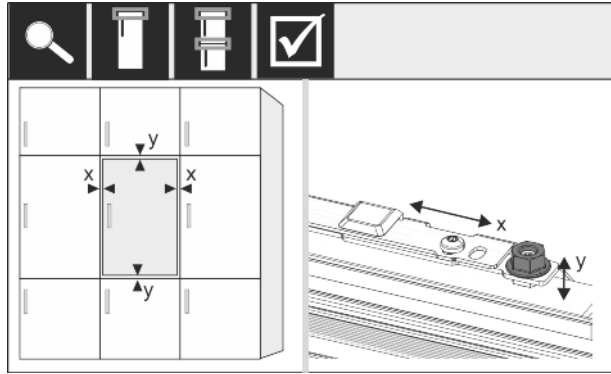


Fig. 58

- ▶ Align the unit door in the X and Y direction using the adjusting bolts.

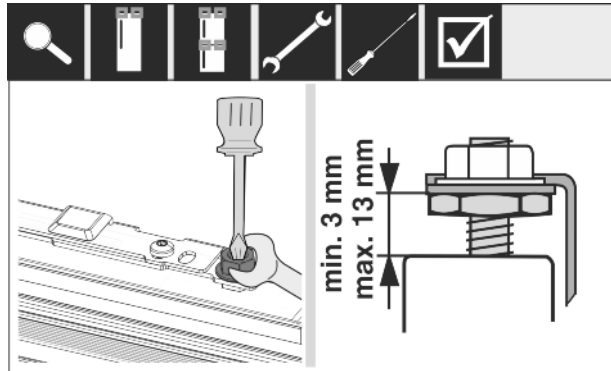


Fig. 59

- ▶ Tighten the counter nuts and check the setting height.

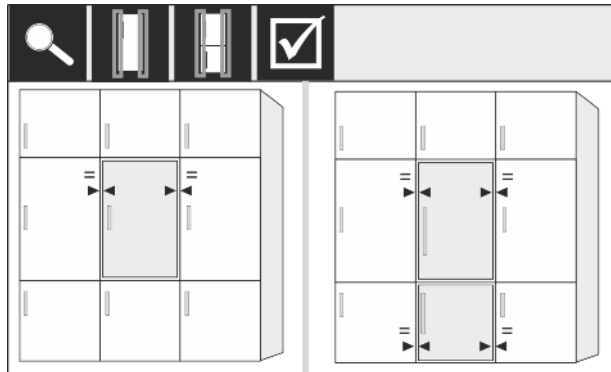


Fig. 60

- ▶ Check the gap between the door and the surrounding unit doors. For cabinet fronts that are thicker than 19 mm, refer to the dimensions and notes in the section **Cabinet fronts**.

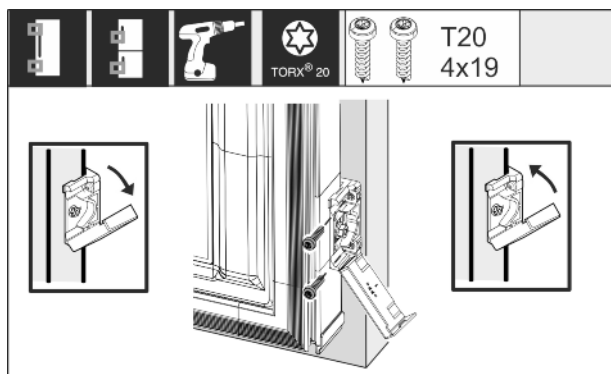


Fig. 61

Cabinet fronts

- ▶ Open the cover again to assemble the mounting bracket on the unit door. Align the front edge of the mounting bracket parallel to the unit door edge and screw the bracket down tightly. Fold up the cover again.

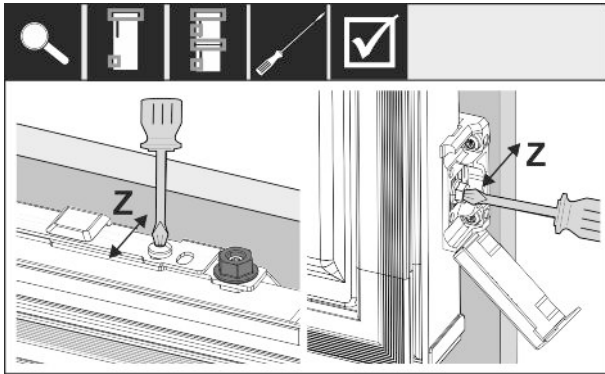


Fig. 62

- ▶ Aligning the unit door in the Z direction: Undo the adjusting screw on the crosspiece and the screw on the mounting bracket then move the door.

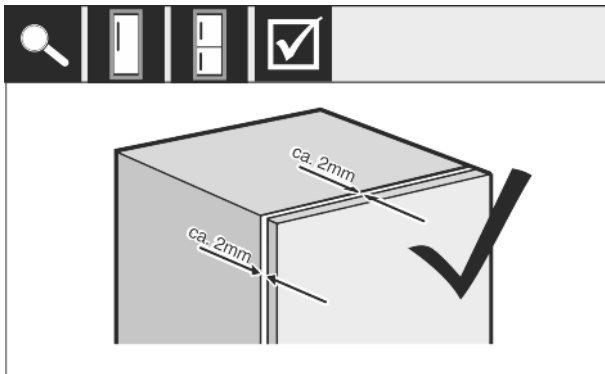


Fig. 63

- ▶ Check the distance between the unit door and the unit body. Check all screws and retighten if necessary.

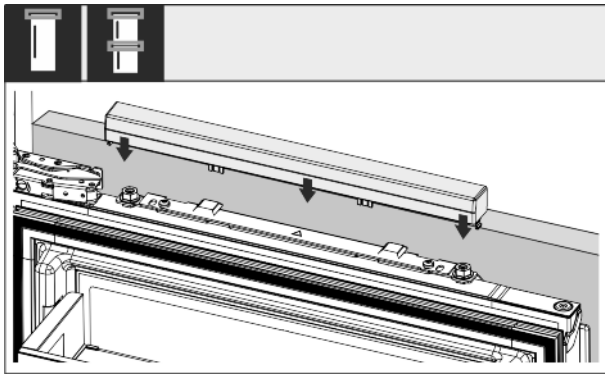


Fig. 64

- ▶ Clip the top cover on.

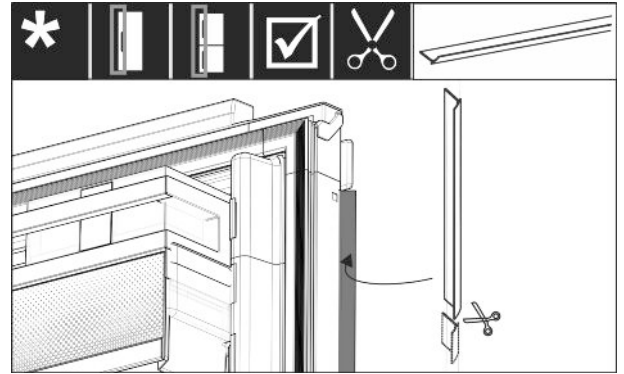


Fig. 65

- ▶ Cut the tread to size and place between the front of the cabinet and the door.

Check the following points to make sure the appliance is installed correctly. Otherwise, icing up, the formation of condensate and malfunctions may occur:

- ▷ The door must close properly.
- ▷ The unit door must not touch the body of the unit.
- ▷ The seal on the upper corner on the handle side must be fitted securely.

15 Cabinet fronts

15.1 Dimensions

Depending on your model, you will need one or two cabinet doors. The size of the cabinet door(s) depends on the overall recess size and cabinet unit thickness.

Note

Observe the appliance and recess dimensions and follow the installation diagrams (see 3 Appliance dimensions) (see 4 Recess dimensions) . See the relevant catalog for the installation diagrams.

General requirements:

- Please refer to our catalogs for appliance-specific recommendations on size and weight for fixed door installations.
- The cabinet unit thickness should be at least 16 mm and no bigger than 19 mm.
- When mounting a 2-door cabinet door, observe the recommended clearance.

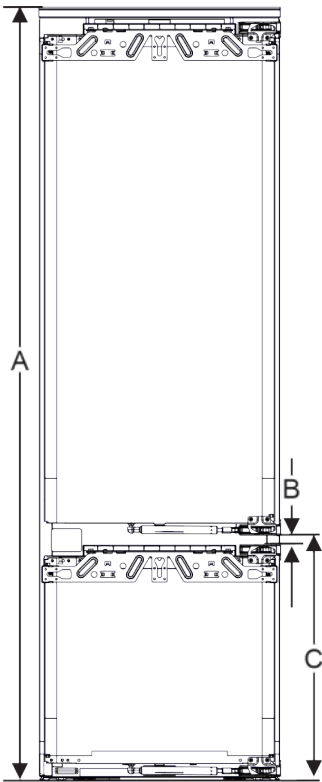


Fig. 66 Clearances for a 2-door cabinet door

Recess height	Appliance height (mm) (A)	Distance (B) (mm)	Clearance (C) fixed door (mm)
178-2 drawers	1770	15	549+15
178-3 drawers	1770	15	695+15

Other cabinet door above, below or next to it:

- Vertical gap between cabinet doors must be 4 mm.
- Horizontal gap between cabinet doors must be 4 mm. Check the collision factors here (see 15.3 Setting the clearance to avoid collision) .

Weight and hinges:

- Heavy cabinet fronts increase the stress on the hinge. The hinge may be damaged. As such, refer to the catalog for the maximum weight specification for your appliance.
- If the cabinet front exceeds the maximum permitted weight, an appliance with door-tracking device can help by loading the weight over several concealed hinges on the cabinet.
- If you have long cabinet fronts that protrude a long way above the appliance, we recommend an additional door hinge (e.g. Kamat), which by design has the same pivot point as the fixed door hinge used by Liebherr appliances. Using an additional hinge (Kamat) loads the weight over multiple points. We recommend using a milled adapter fitting for high cabinet fronts to counteract any dragging (convex/concave).

15.2 Mounting the cabinet front(s)

When installing, note:

- Cabinet front must be installed symmetrically to the refrigerator door.
- Adjoining cabinet front is exactly level.
- Adjoining cabinet front has the same edge radius as the front of the appliance.

- Cabinet front is flat and tension-free.
- Cabinet front is adjusted to a minimum depth of approx. 2 mm to the unit body.
- ▶ Fit the appliance into the recess (see 14 Fit the appliance into the recess) .
- ▶ Attach the cabinet front to the appliance door (see 14 Fit the appliance into the recess) .
- ▶ Check the cabinet front does not collide with anything (see 15.3 Setting the clearance to avoid collision) .

15.3 Setting the clearance to avoid collision

After installing the cabinet front(s), check that the cabinet fronts do not collide.

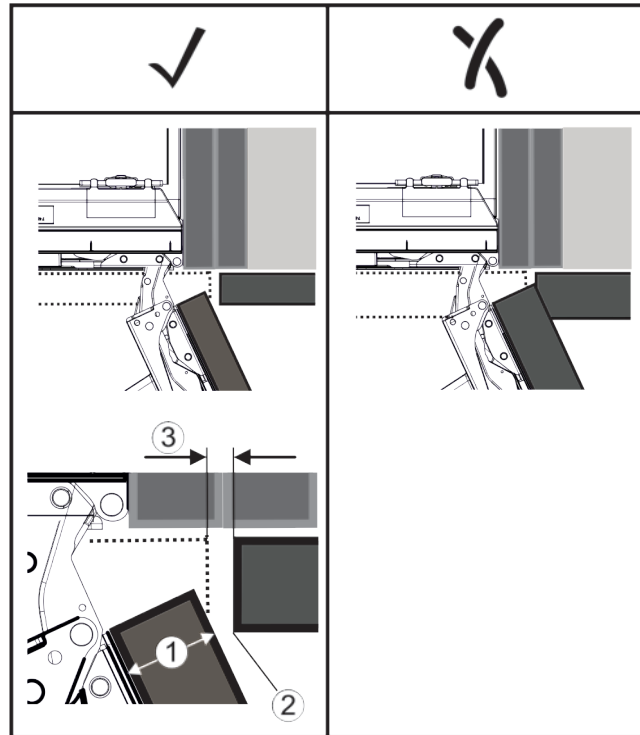


Fig. 67

- (1) Front thickness (FD) (3) Clearance size (S)
(2) Edge radius (R)

FD(1) (mm)	R (2) = 0 mm		R = 1,2 mm		R = 2 mm		R = 3 mm	
	G _{min}	G _{max}	G _{min}	G _{max}	G _{min}	G _{max}	G _{min}	G _{max}
16	0,3	0,9	0,1	0,4	0,1	0,2	0,1	0,2
19	0,7	2,4	0,3	1,9	0,23	3,25	0,1	0,8
20	2	4,3	1,5	3,6	1	3,1	0,6	2,7
22	3,5	6,3	3	5,6	2,6	5,3	2,1	4,6
24	5,5	8,3	5	7,8	4,5	7,4	4	6,9
26	7,6	10,7	7	10,3	6,6	9,9	6,2	9,4

Fig. 68 Table of clearance limits

G_{min} = min. clearance in mm

G_{max} = max. clearance in mm

Note

When making adjustments, always make sure that the cabinet front suits the general appearance.

Check the collision factors and adjust them accordingly:

- ▶ Determine the front thickness and edge radius.
- ▶ Refer to the table for the min./max. clearance dimensions.
- ▶ Check the clearance size against the table.
- ▶ Do one of the following depending on the measured clearance size.

Water tank

Clearance size	Description
$S > G_{\max}$	If the clearance size is greater than the two limits, you do not need to make any adjustments.
$S < G_{\min}$	If the clearance size is below the limits, you must increase it. Another option is to increase the edge radius.
$G_{\min} \leq S \leq G_{\max}$	If the clearance is between the two limits, you have to be careful. This will quickly lead to collisions.

16 Water tank

Depending on your model, the InfinitySpring water tank is behind the lowest drawer in the fridge or BioFresh compartment

16.1 Inserting the water tank

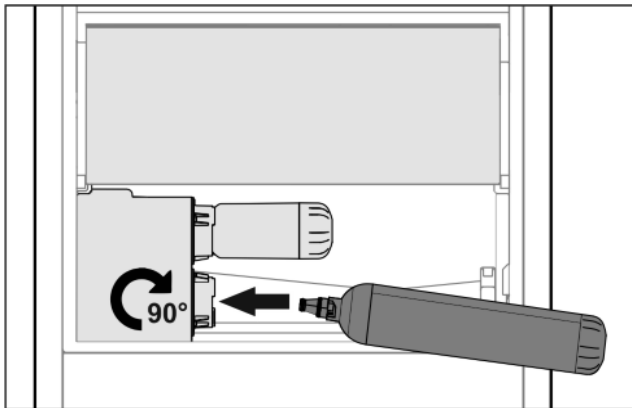


Fig. 69

- ▶ Remove the drawer.
- ▶ Insert the water tank and turn approx. 90° to the right until it engages.
- ▶ Check that the water tank is sealed and no water leaks out.
- ▶ Insert the drawer.
- ▶ Vent the water system (see Installation Instructions, Water Connection)

Instead of the water filter, you can use an additional water tank.

Note

The water tank is available as a spare part.

17 Water filter

Depending on your model, the water filter is behind the lowest drawer in the fridge or BioFresh compartment.

It absorbs deposits in the water and reduces the taste of chlorine.

- Replace the water filter at least every 6 months under the specified usage conditions or if the flow rate drops significantly.
- The water filter contains carbon and can be disposed of with the regular household waste.

Note

You can purchase the water filter from the [Liebherr household appliance store](http://home.liebherr.com) (home.liebherr.com).

17.1 Installing the water filter

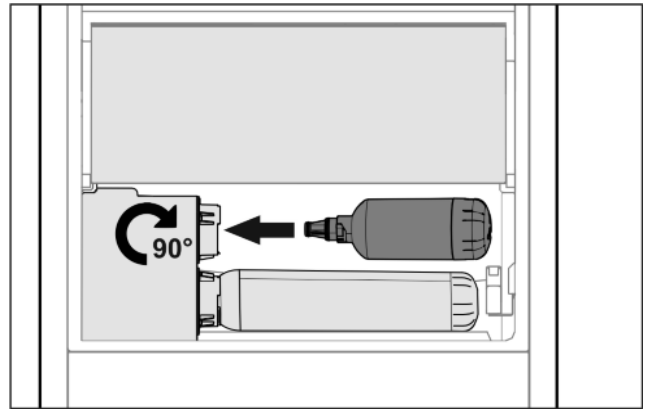


Fig. 70

- ▶ Remove the drawer.
- ▶ Insert the water filter and turn clockwise approx. 90° until it engages.
- ▶ Make sure the filter does not leak and no water is coming out.
- ▶ Insert the drawer.



CAUTION

New water filters may contain particulate matter.

- ▶ Dispense 3 l of water through the InfinitySpring and pour away.

- ▷ The water filter is now ready for use.

18 Connecting the appliance



WARNING

Incorrect connection!

Risk of fire.

- ▶ Do not use an extension cord.
- ▶ Do not use a multipoint connector strip.

NOTICE

Incorrect connection!

Damage to the electronics.

- ▶ Do not use a stand-alone inverter.
- ▶ Do not use an energy saving plug.

Note

Only use the supplied mains cable.

- ▶ A longer mains cable can be ordered from Customer Service.

Make sure that the following requirements are met:

- The type of current and voltage at the installation site complies with the information on the type plate .
- The socket is grounded and electrically protected in accordance with regulations.
- The tripping current for fuse is between 10 and 16 A.
- The socket is easily accessible.
- The socket lies behind the back of the appliance in the given area (a, b, c).
- ▶ Check the electrical connection.
- ▶ Insert the appliance plug (G) on the rear side of the appliance. Ensure that it clicks into place.
- ▶ Connect the power plug to the voltage supply.
- ▷ The Liebherr logo appears on the screen.
- ▷ The display switches to the standby symbol.



home.liebherr.com/fridge-manuals

EN Refrigerators and freezers for integrated use, door-on-door
ORIGINAL OPERATOR'S MANUAL

Issue date: 20210706
Part number index: 7088230-00