

KD90HXE

Product family	Hood
Hood Type	Chimney Cooker Hoods
Design	Chimney
Extraction	Ducted out or re-circulation possible
Material	Stainless steel
Type of steel	Brushed
EAN code	8017709243593
Aesthetics	Classic
Colour	Stainless steel
Finishing	Brushed
Logo	Applied





Controls

Control setting	Control knobs	Control knobs	Classic
No. of controls	2	Controls colour	Steel effect

Program / Functions

No. of speeds	3
Intensive speed	

Technical Features

			
No. of lights	2	No. of filters	3
Light type	LED	Anti-grease filters	Stainless steel
Light power	1 W	Vent outlet	150 mm
Light colour	4000 °K	Minimum distance from GAS hob	750 mm
Free outlet maximum capacity	815 m ³ /h	Minimum distance from ELECTRIC hob	650 mm
Motor power	275 W	Non return valve	Yes

	Extraction rate IEC 61591 [m ³ /h]	Noise level IEC 60704-2-13 [dBA]
Speed 1	288	48
Speed 2	421	63

Speed 3	630	67
Intensive speed	781	72

Performance / Energy Label



Annual Efficiency Consumption (AEChood)	40 kWh/year	Airbourne acoustical A-weighted sound Power Emission at minimum speed (SPEmin)	48 dBA
Energy efficiency class (EEC)	A+	Airborne acoustical A-weighted sound Power Emission at maximum speed (SPEmax)	67 dBA
Fluid Dynamic Efficiency (FDE)	36,2	Airbourne acoustical A-weighted sound power emission at boost speed (SPEboost)	72 dBA
Fluid Dynamic Efficiency class (FDEC)	A	Time increase factor (F)	1,00
Lighting Efficiency (LE)	78,2 lux/W	Measured air flow rate at best efficiency point (Qbep)	413 m ³ /h
Lighting Efficiency Class (LEC)	A	Measured air pressure at best efficiency point (Qbep)	476 Pa
Grease Filtering Efficiency (GFE)	78,5 %	Measured electric power input at best efficiency point (Wbep)	151 W
Grease Filtering Efficiency Class (GFEC)	C	Normal Power of the light system (WI)	2 W
Air flow at minumum speed (Qmin)	288 m ³ /h	Average illumination of the light on the cooking surface (Emiddle)	172 lux
Maximum extraction rate	630 m ³ /h	Sound power level at highest setting (Lwa)	67 dBA
Intensive extraction rate	781 m ³ /h		

Electrical Connection

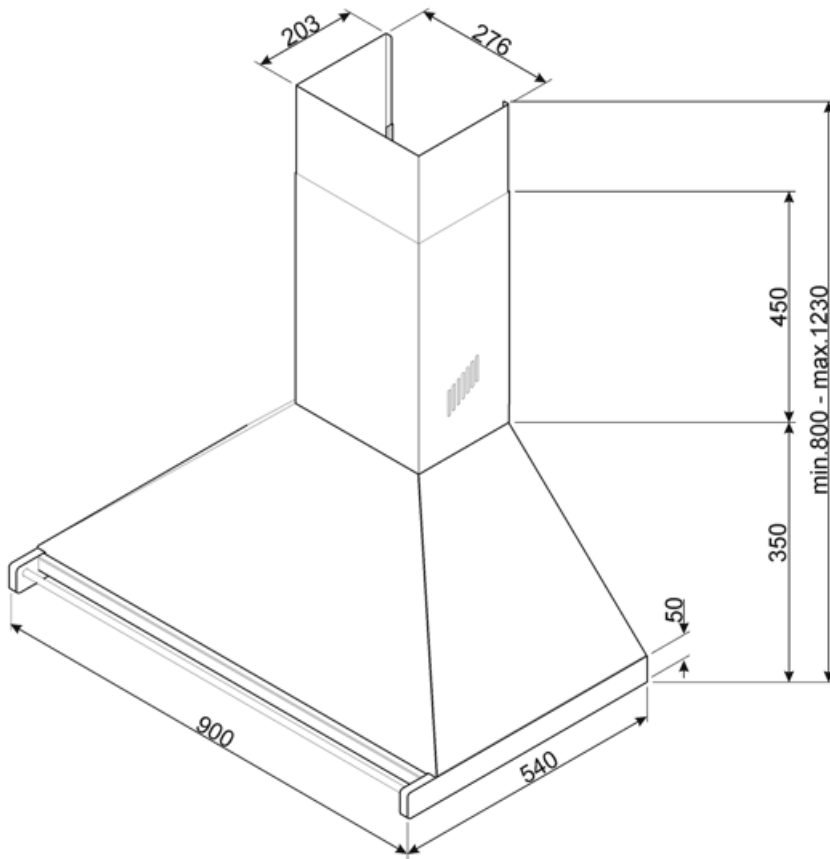
Nominal power	277 W	Frequency (Hz)	50-60 Hz
Voltage	220-240 V	Power supply cable length	1000 mm

Also available

Alternative colours available	Black, Anthracite	Available colours	KD90HNE - KD90HAE
--------------------------------------	-------------------	--------------------------	-------------------

Optional accessories

Charcoal filter	FLT6
------------------------	------



Compatible Accessories

FLT6

Round Charcoal filters (kit 2 pieces)



KITALLFC

Universal Charcoal filter Stainless Steel AISI 304 The filter can be washed in dishwasher 50 °C (water and suitable detergent) and to dry it put in the oven 180°C 25 minutes

Symbols glossary



Filters: Model has filters to help remove grease from the steam emanating from the pans during cooking.



Lights: All cooker hoods feature lights to illuminate the cooking area or add to the ambience of the kitchen.



A+: Energy efficiency class A+ helps to save up to 10% energy compared to class A. Maximum performance with minimum consumption is guaranteed.



Intensive/turbo setting: when extra fast extraction is required.