

**iQ500, French door bottom freezer,
multiDoor, 183 x 91 cm, Black stainless
steel
KF96NAXEAG**



American style / Multi door fridge freezer: perfect storage conditions for fish and meat as well as fruits and vegetables plus an abundance of easily accessible frozen food storage.

- ✓ Home Connect – Control your smart fridge no matter where you are.
- ✓ Metal backwall with multiAirflow system – Evenly chilled food and drinks on all levels.
- ✓ freshSense: sensors that keep the inside temperature steady for longer food freshness
- ✓ noFrost – Never defrost your freezer again.
- ✓ Extra strong and easy-cleaning safety glass - safetyGlass shelves.

Features

Technical Data

Energy Efficiency Class: E
 Average annual energy consumption in kilowatt hour per year (kWh/a): 333 kWh/annum
 Sum of volume of frozen compartments: 200 l
 Sum of volume of chill compartments: 405 l
 Airborne acoustical noise emissions : 38 dB(A) re 1 pW
 Airborne acoustical noise emission class: C
 Construction type: Free-standing
 Door panel options: Not possible
 Height: 1830 mm
 Width of the appliance: 910 mm
 Depth of the product: 731 mm
 Net weight: 118.7 kg
 Fuse protection: 10 A
 Door hinge: Left & Right
 Voltage: 220-240 V
 Frequency: 50-60 Hz
 Length of electrical supply cord: 240 cm
 Storage Period in Event of Power Failure (h): 15 h
 Number of compressors: 1
 Number of independent cooling systems: 1
 Interior ventilator: Yes
 Reversible Door Hinge: No
 Number of Adjustable Shelves in fridge compartment (Stck): 3
 Shelves for Bottles: No
 Installation type: N/A
 Type of hinge: Flush-folding



iQ500, French door bottom freezer, multiDoor, 183 x 91 cm, Black stainless steel KF96NAXEAG

Features

Performance and Consumption

- EU19_EEK_D: E
- Total Volume : 605 l
- Net Fridge Volume : 405 l
- Net Freezer Volume : 200 l
- Freezing capacity 24h : 13 kg
- Annual Energy Consumption: 333 kWh/a
- Climate Class: SN-T
- EU19_Fast freezer facility_D
- Noise Level : 38 dB , EU19_Noise emission class_D: C
- Temperature rise time : EU19_Temperature rise time_D: 15 H

Design features

- Black steel - anti-fingerprint finish doors and cast iron side panels
- Bright interior LED fridge light
- Metal backwall
- Interior design with metal applications
- LED display for fridge and freezer
- Super Cooling: automatic deactivation
- Automatic defrost in fridge section
- optical, Acoustic open door warning system
- Freezer malfunction warning signal: optical, acoustical

Food freshness system

- multiAirflow cooling - improves circulation of air around the fridge
-

Dimension and installation

- 4 wheels for easier transport, 3 of them height adjustable.
- Dimensions: 183 cm H x 91 cm W x 73.1 cm D
- 220 - 240 V

Key features - Fridge section

- 4 safety glass shelves (3 height adjustable)
- 2 removable door storage compartments.
- Bright interior LED fridge light
-
- 1 crisperBox - vegetable/salad container with humidity control
- 1 dairy compartment in door
- 4 safety glass shelves of which 3 are height adjustable, Standard shelf 2 shelves extendable
- Door shelves in fridge door: 2 large and 2 small.
- coolBox - extra cold fridge drawer. Ideal to store meat and fish.

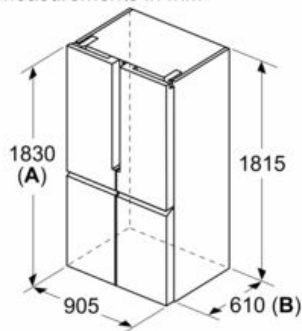
Key features - Freezer section

- NoFrost
- 6 freezer drawers
- Net 4* compartment volume : 200 l
- 1 ice cube tray
- Freezer malfunction warning signal: Acoustic Warning System
- Based on the results of the standard 24-hour test. Actual consumption depends on usage/position of the appliance.
- To achieve the declared energy consumption, the attached distanceholders have to be used. As a result, the appliance depth increases by about 3.5 cm. The appliance used without the distance holder is fully functional, but has a slightly higher energy consumption.

**iQ500, French door bottom freezer,
multiDoor, 183 x 91 cm, Black stainless
steel
KF96NAXEAG**

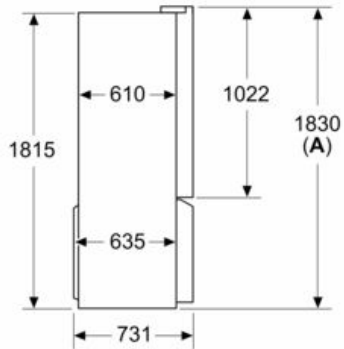
Dimensioned drawings

measurements in mm



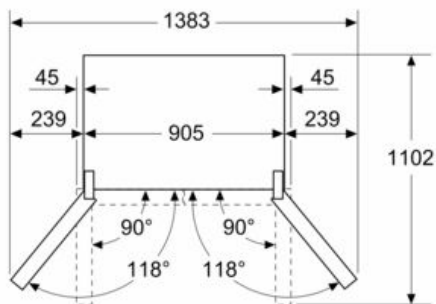
A: Front is adjustable from 1830 to 1847, with front levelling feet fully extended
B: Add 25 for fixed spacers on back

measurements in mm



A: Front is adjustable from 1830 to 1847, with front levelling feet fully extended

Measurements in mm



Measurements in mm

