

**Series 4, Free-standing fridge-freezer with freezer at bottom, 203 x 60 cm, Inox-look KGN392LDFG**



**Included accessories**

3 x egg tray  
1 x ice cube tray

**NoFrost bottomfreezer : no need to defrost your freezer**

- **VitaFresh XXL Pro near 0°C:** climate-controlled compartments lock in freshness and nutrients for longer.
- **Perfect Fit:** place your fridge right next to walls and other appliances to save space.
- LED lights bring a completely new lighting concept to fridges
- **Automatic Super Freezing function:** optimal for freezing smaller food load faster whilst protecting your frozen items from defrosting, thanks to the detection of temperature increase and the automatic decrease of temperature
- **2 cooling circuits:** separately controllable refrigerator and freezer compartments - prevents odour transfer.

**Technical Data**

Energy Efficiency Class: D  
Average annual energy consumption in kilowatt hour per year (kWh/a): 203 kWh/annum  
Sum of volume of frozen compartments: 103 l  
Sum of volume of chill compartments: 260 l  
Airborne acoustical noise emissions : 35 dB(A) re 1 pW  
Airborne acoustical noise emission class: B  
Construction type: Free-standing  
Door panel options: Not possible  
Height: 2030 mm  
Width of the appliance: 600 mm  
Depth of the product: 665 mm  
Net weight: 69.7 kg  
Fuse protection: 13 A  
Door hinge: Right reversible  
Voltage: 220-240 V  
Frequency: 50 Hz  
Length of electrical supply cord: 240 cm  
Storage Period in Event of Power Failure (h): 15 h  
Number of compressors: 1  
Number of independent cooling systems: 2  
Interior ventilator: No  
Reversible Door Hinge: Yes  
Number of Adjustable Shelves in fridge compartment (Stck): 3  
Shelves for Bottles: Yes  
Installation type: N/A



## Series 4, Free-standing fridge-freezer with freezer at bottom, 203 x 60 cm, Inox-look KGN392LDFG

### NoFrost bottomfreezer : no need to defrost your freezer

#### Performance and Consumption

- EU19\_EEK\_D: D
- Total Volume : 363 l
- Net Fridge Volume : 260 l
- Net Freezer Volume : 103 l
- Freezing capacity 24h : 9.5 kg
- Annual Energy Consumption: 203 kWh/a
- Climate Class: SN-T
- Noise Level : 35 dB , EU19\_Noise emission class\_D: B
- Temperature rise time : EU19\_Temperature rise time\_D: 15 H

#### Design features

- Integrated vertical handle
- Bright interior LED fridge light
- Standard door Stainless steel look
- Separate, electronic temperature control with LED display
- Two separate cooling circuits allow independent temperature control and prevents the transference of humidity between the fridge and freezer cavity
- Optical and accoustical

#### Design features

##### Food freshness system

- MultiAirflow system - improves circulation of air around the fridge
- 1 VitaFresh drawer - Fish and meat stay fresh for longer
- 1 VitaFresh drawer with humidity control - Fruits and vegetables retain vitamins and stay fresh for longer

##### Key features - Fridge section

- White glossy back wall
- Super Cooling: automatic deactivation
- 5 safety glass shelves of which 3 are height adjustable
- Metal bottle rack
- Door shelves in fridge door: 1 large and 3 small.

##### Dimension and installation

- Dimensions: 203 cm H x 60 cm W x 66.5 cm D
- Right hinged door, door reversible
- Height adjustable front feet
- 220 - 240 V

##### Key features - Freezer section

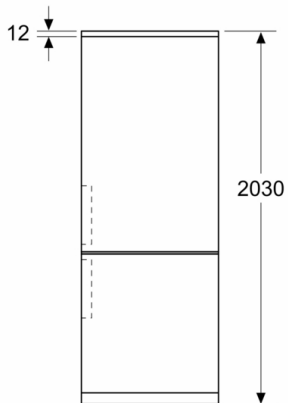
- Freezer malfunction warning signal: optical and acoustical warning system
- 3 freezer drawers
- Net freezer capacity: 103 litres
- Freezing capacity in 24 hours: 9.5 kg
- Maximum freezer storage time in power failure: 15 hours
- 5 safety glass shelves (3 height adjustable)
- 3 x egg tray, 1 x ice cube tray

##### Country Specific Options

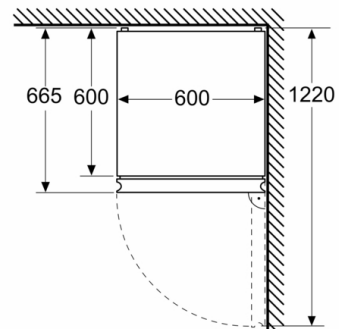
- Based on the results of the standard 24-hour test. Actual consumption depends on usage/position of the appliance.

**Series 4, Free-standing fridge-freezer with freezer at bottom, 203 x 60 cm, Inox-look KGN392LDFG**

Measurements in mm



Measurements in mm



Measurements in mm

