

Series 4, Free-standing fridge-freezer with freezer at bottom, 203 x 60 cm, White
KGN392WDFG



Included accessories

3 x egg tray
 1 x ice cube tray

NoFrost bottomfreezer : no need to defrost your freezer

- **VitaFresh XXL Pro near 0°C:** climate-controlled compartments lock in freshness and nutrients for longer.
- **Glossy backwall with MultiAirflow:** evenly circulates cool, fresh air to maintain consistent temperatures.
- LED lights bring a completely new lighting concept to fridges
- **Perfect Fit:** place your fridge right next to walls and other appliances to save space.
- **NoFrost:** you'll never have to defrost your fridge-freezer again.

Technical Data

Energy Efficiency Class: D

Average annual energy consumption in kilowatt hour per year (kWh/a): 203 kWh/annum

Sum of volume of frozen compartments: 103 l

Sum of volume of chill compartments: 260 l

Airborne acoustical noise emissions : 35 dB(A) re 1 pW

Airborne acoustical noise emission class: B

Construction type: Free-standing

Door panel options: Not possible

Height: 2030 mm

Width of the appliance: 600 mm

Depth of the product: 665 mm

Net weight: 69.7 kg

Fuse protection: 13 A

Door hinge: Right reversible

Voltage: 220-240 V

Frequency: 50 Hz

Length of electrical supply cord: 240 cm

Storage Period in Event of Power Failure (h): 15 h

Number of compressors: 1

Number of independent cooling systems: 2

Interior ventilator: No

Reversible Door Hinge: Yes

Number of Adjustable Shelves in fridge compartment (Stck): 3

Shelves for Bottles: Yes

Installation type: N/A



Series 4, Free-standing fridge-freezer with freezer at bottom, 203 x 60 cm, White KGN392WDFG

NoFrost bottomfreezer : no need to defrost your freezer

Performance and Consumption

- EU19_EEK_D: D
- Total Volume : 363 l
- Net Fridge Volume : 260 l
- Net Freezer Volume : 103 l
- Freezing capacity 24h : 9.5 kg
- Annual Energy Consumption: 203 kWh/a
- Climate Class: SN-T
- EU19_Fast freezer facility_D
- Noise Level : 35 dB , EU19_Noise emission class_D: B
- Temperature rise time : EU19_Temperature rise time_D: 15 H

Functions

Design features

- Standard door White
- Two separate cooling circuits allow independent temperature control and prevents the transference of humidity between the fridge and freezer cavity
- Integrated vertical handle
- Bright interior LED fridge light
- Separate, electronic temperature control with LED display
- Super Cooling: automatic deactivation
- Optical and acoustical
- Freezer malfunction warning signal: optical and acoustical warning system

Food freshness system

- MultiAirflow system - improves circulation of air around the fridge
- 1 VitaFresh drawer - Fish and meat stay fresh for longer
- 1 VitaFresh drawer with humidity control - Fruits and vegetables retain vitamins and stay fresh for longer

Dimension and installation

- Dimensions: 203 cm H x 60 cm W x 66.5 cm D
- Height adjustable front feet
- 220 - 240 V

Key features - Fridge section

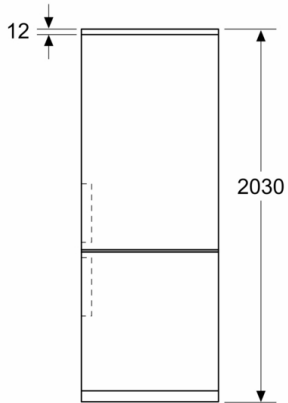
- 5 safety glass shelves of which 3 are height adjustable
- Metal bottle rack
- Door shelves in fridge door: 1 large and 3 small.
- Right hinged door, door reversible
- 5 safety glass shelves (3 height adjustable)
- White glossy back wall

Key features - Freezer section

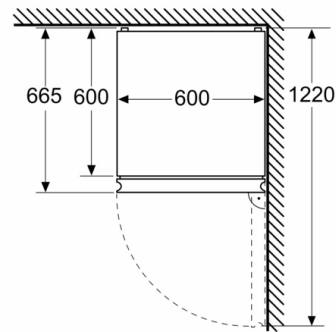
- 3 freezer drawers
- 3 x egg tray, 1 x ice cube tray
- Maximum freezer storage time in power failure: 15 hours
- Net freezer capacity: 103 litres
- Freezing capacity in 24 hours: 9.5 kg
- Based on the results of the standard 24-hour test. Actual consumption depends on usage/position of the appliance.

**Series 4, Free-standing fridge-freezer with
freezer at bottom, 203 x 60 cm, White
KGN392WDFG**

Measurements in mm



Measurements in mm



Measurements in mm

