

**Series 6, Free-standing fridge-freezer with freezer at bottom, 203 x 60 cm, White  
KGN39AWCTG**



**Included accessories**

3 x egg tray  
1 x ice cube tray

**Optional accessories**

KSZ39AW00 : Connection set white

**NoFrost bottomfreezer : no need to defrost your freezer**

- **NoFrost:** you'll never have to defrost your fridge-freezer again.
- **Flex Interior:** adjust the interior of the fridge to your needs thanks to Flex Trays and Flex Shelf.
- **Metal backwall with MultiAirflow:** evenly circulates cool, fresh air to maintain consistent temperatures.
- **Perfect Fit:** place your fridge right next to walls and other appliances to save space.
- **VitaFresh XXL Pro near 0°C:** climate-controlled compartments lock in freshness and nutrients for longer.

**Technical Data**

Energy Efficiency Class: C

Average annual energy consumption in kilowatt hour per year (kWh/a): 162 kWh/annum

Sum of volume of frozen compartments: 103 l

Sum of volume of chill compartments: 260 l

Airborne acoustical noise emissions : 35 dB(A) re 1 pW

Airborne acoustical noise emission class: B

Construction type: Free-standing

Door panel options: Not possible

Height: 2030 mm

Width of the appliance: 600 mm

Depth of the product: 665 mm

Net weight: 73.7 kg

Fuse protection: 13 A

Door hinge: Right reversible

Voltage: 220-240 V

Frequency: 50 Hz

Length of electrical supply cord: 240 cm

Storage Period in Event of Power Failure (h): 15 h

Number of compressors: 1

Number of independent cooling systems: 2

Interior ventilator: No

Reversible Door Hinge: Yes

Number of Adjustable Shelves in fridge compartment (Stck): 3

Shelves for Bottles: Yes

Installation type: N/A



4 242005 281626

## Series 6, Free-standing fridge-freezer with freezer at bottom, 203 x 60 cm, White KGN39AWCTG

### NoFrost bottomfreezer : no need to defrost your freezer

---

#### Performance and Consumption

- EU19\_EEK\_D: C
- Total Volume : 363 l
- Net Fridge Volume : 260 l
- Net Freezer Volume : 103 l
- Freezing capacity 24h : 10 kg
- Annual Energy Consumption: 162 kWh/a
- Climate Class: SN-T
- EU19\_Fast freezer facility\_D
- Noise Level : 35 dB , EU19\_Noise emission class\_D: B
- Temperature rise time : EU19\_Temperature rise time\_D: 15 H

#### Design features

- Standard door White
- Vertical door handle
- Bright interior LED fridge light

#### Functions

- Separate, electronic temperature control with LED display
- Optical and acoustical
- Freezer malfunction warning signal: optical and acoustical warning system

#### Design features

- MultiAirflow system - improves circulation of air around the fridge

#### Freshness System

- Two separate cooling circuits allow independent temperature control and prevents the transference of humidity between the fridge and freezer cavity
- 1 VitaFresh drawer - Fish and meat stay fresh for longer
- 1 VitaFresh drawer with humidity control - Fruits and vegetables retain vitamins and stay fresh for longer

#### Dimension and installation

- Right hinged door, door reversible
- Height adjustable front feet
- 220 - 240 V
- Dimensions: 203 cm H x 60 cm W x 66.5 cm D

#### Key features - Fridge section

- Metal backwall
- Super Cooling: automatic deactivation
- Metal bottle rack
- 5 safety glass shelves of which 3 are height adjustable
- Door shelves in fridge door: 1 large and 3 small.
- 5 safety glass shelves (3 height adjustable)

#### Key features - Freezer section

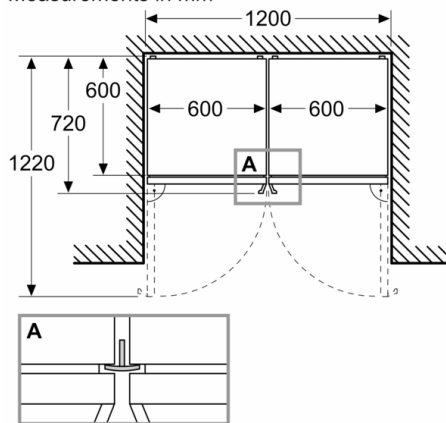
- 3 freezer drawers
- Net freezer capacity: 103 litres
- Freezing capacity in 24 hours: 10 kg
- Maximum freezer storage time in power failure: 15 hours
- 3 x egg tray, 1 x ice cube tray

#### Country Specific Options

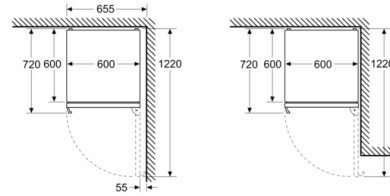
- Based on the results of the standard 24-hour test. Actual consumption depends on usage/position of the appliance.

**Series 6, Free-standing fridge-freezer with  
freezer at bottom, 203 x 60 cm, White  
KGN39AWCTG**

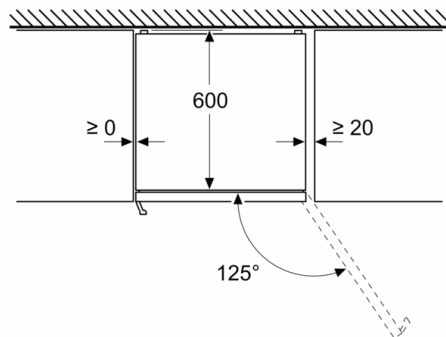
Measurements in mm



Measurements in mm



Measurements in mm



Measurements in mm

