

KI120XE

Product family	Hood
Hood Type	Island Cooker Hoods
Design	T flat
Extraction	Ducted out or re-circulation possible
Electronic control	Yes
Material	Stainless steel
Type of steel	Brushed
EAN code	8017709204051
Aesthetics	Universal
Colour	Stainless steel
Finishing	Brushed
Logo	Embossed



Controls

Control setting	Electronic buttons	Led colour	White
-----------------	--------------------	------------	-------

Program / Functions

No. of speeds	3
Intensive speed	
Time-setting options	

Technical Features



No. of lights	4	Anti-grease filters	Aluminium
Light type	LED	Filter replacement indicator	Yes
Light power	1 W	Vent outlet	150 mm
Light colour	4000 °K	Minimum distance from GAS hob	750 mm
Free outlet maximum capacity	820 m ³ /h	Minimum distance from ELECTRIC hob	650 mm
Motor power	275 W	Non return valve	Yes
No. of filters	4		

	Extraction rate IEC 61591 [m ³ /h]	Noise level IEC 60704-2-13 [dBA]
Speed 1	316	48

Speed 2	385	59
Speed 3	529	62
Intensive speed	783	70

Accessories Included

Tube reduction Yes

Performance / Energy Label



Annual Efficiency Consumption (AEChood) 64 KWh/year

Energy efficiency class (EEC) B

Fluid Dynamic Efficiency (FDE) 28,7

Fluid Dynamic Efficiency class (FDEC) A

Lighting Efficiency (LE) 70,9 lux/W

Lighting Efficiency Class (LEC) A

Grease Filtering Efficiency (GFE) 79,8 %

Grease Filtering Efficiency Class (GFEC) C

Air flow at minimum speed (Qmin) 316 m³/h

Maximum extraction rate 529 m³/h

Intensive extraction rate 783 m³/h

Airbourne acoustical A-weighted sound Power Emission at minimum speed (SPEmin) 48 dBA

Airborne acoustical A-weighted sound Power Emission at maximum speed (SPEmax) 62 dBA

Airbourne acoustical A-weighted sound power emission at boost speed (SPEboost) 70 dBA

Time increase factor (F) 1,00

Energy Efficiency Index per first cavity 58,7

Measured air flow rate at best efficiency point (Qbep) 394 m³/h

Measured air pressure at best efficiency point (Qbep) 449 Pa

Measured electric power input at best efficiency point (Wbep) 171 W

Normal Power of the light system (WI) 4 W

Average illumination of the light on the cooking surface (Emiddle) 312 lux

Sound power level at highest setting (Lwa) 62 dBA

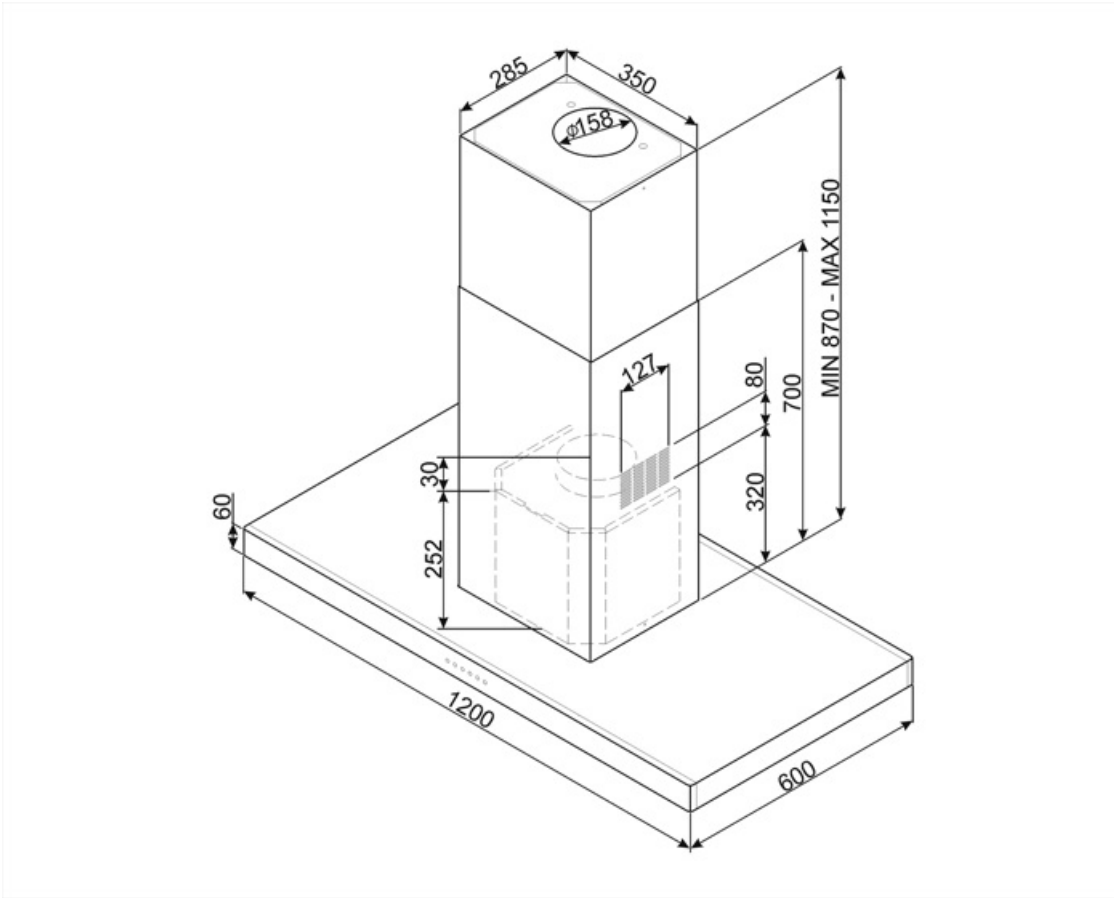
Electrical Connection

Nominal power 279 W

Voltage 220-240 V

Frequency (Hz) 50-60 Hz

Power supply cable length 1500 mm



Compatible Accessories

FLT6

Round Charcoal filters (kit 2 pieces)



KITALLFC

Universal Charcoal filter Stainless Steel AISI 304 The filter can be washed in dishwasher 50 °C (water and suitable detergent) and to dry it put in the oven 180°C 25 minutes

Symbols glossary



Filters: Model has filters to help remove grease from the steam emanating from the pans during cooking.



Lights: All cooker hoods feature lights to illuminate the cooking area or add to the ambience of the kitchen.



Switch off automatically: A special setting, to run after the end of cooking for a pre-set time and then switch off automatically.



Warning light(s): to advise when filters need changing.



Intensive/turbo setting: when extra fast extraction is required.