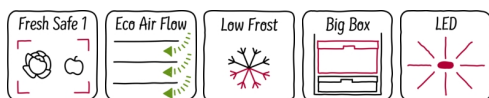


N 50, Built-in fridge-freezer with freezer at bottom, 177.2 x 54.1 cm, flat hinge
KI5872FE0G



This built-in fridge-freezer with Fresh Safe keeps fruits and vegetables fresher for longer

- ✓ Fresh Safe 1 – Flexible fridge drawer for fruit and vegetables.
- ✓ Eco Air Flow – Even air circulation for constant temperatures and fast cooling.
- ✓ LowFrost: Reduces frost in the freezer compartment for faster defrosting.
- ✓ BigBox: An abundance of storage space even for large and bulky items.
- ✓ LED Light – Illuminate your fridge with long-life LEDs.

Features

Technical Data

Energy Efficiency Class : E
 Average annual energy consumption in kilowatt hour per year (kWh/a) : 216 kWh/annum
 Sum of volume of frozen compartments : 70 l
 Sum of volume of chill compartments : 200 l
 Airborne acoustical noise emissions : 35 dB(A) re 1 pW
 Airborne acoustical noise emission class : B
 Construction type : Built-in
 Door panel options : Not possible
 Height : 1772 mm
 Width of the appliance : 541 mm
 Depth of the product : 548 mm
 Min. required niche size for installation (HxWxD) : 1775.0 x 560 x 550 mm
 Net weight : 53.4 kg
 Fuse protection : 10 A
 Door hinge : Right reversible
 Voltage : 220-240 V
 Frequency : 50 Hz
 Length of electrical supply cord : 230 cm
 Storage Period in Event of Power Failure (h) : 12 h
 Number of compressors : 1
 Number of independent cooling systems : 1
 Interior ventilator : No
 Reversible Door Hinge : Yes
 Number of Adjustable Shelves in fridge compartment (Stck) : 4
 Shelves for Bottles : No
 Frost free system : No
 Installation type : Full-integrated
 Type of hinge : Flush-folding



4 242004 251866

N 50, Built-in fridge-freezer with freezer at bottom,
177.2 x 54.1 cm, flat hinge
KI5872FE0G

Features

- easy Installation

Functions

- Bright interior LED fridge light

Design features

- Electronic control (LED chain)
- Super Cooling: No
- SuperFreeze function with automatic deactivation
- acoustic alarm

Design features

- 5 safety glass shelves in fridge compartment of which 4 are height adjustable
- 4 door trays, including 1x dairy compartment
- 1 removable door storage compartments.
- 4 door bins

Freshness System

- 1 FreshSafe drawer with humidity control retains freshness for longer.

Food freshness system

- lowFrost freezer
- 2 transparent freezer drawers, 1 bigbox

Dimension and installation

- Dimensions: 177.2 cm H x 54.1 cm W x 54.8 cm D
- Niche Dimensions: 177.5 cm H x 56 cm W x 55 cm D

Key features - Fridge section

- Right hinged door, reversible
- 220 - 240 V

Key features - Freezer section

- 2 x egg tray, 1 x ice cube tray

Country Specific Options

- Based on the results of the standard 24-hour test. Actual consumption depends on usage/position of the appliance.

Design features

Dimension and installation

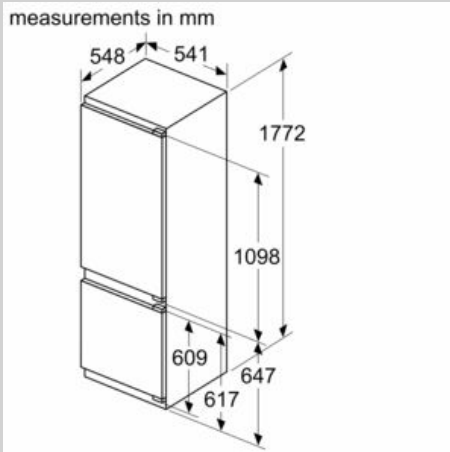
Additional features

Performance and Consumption

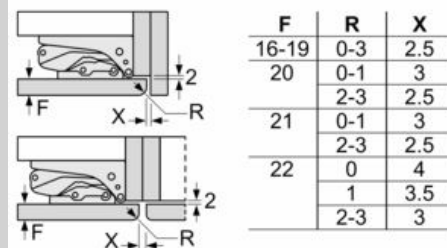
- EU19_EEK_D: E
- Total Volume : 270 l
- Net Fridge Volume : 200 l
- Net Freezer Volume : 70 l
- Net 4* compartment volume : 70 l
- Freezing capacity 24h : 3.2 kg
- Annual Energy Consumption: 216 kWh/a
- Climate Class: SN-ST
- Noise Level : 35 dB , EU19_Noise emission class_D: B
- Temperature rise time : EU19_Temperature rise time_D: 12 H

N 50, Built-in fridge-freezer with freezer at bottom,
177.2 x 54.1 cm, flat hinge
KI5872FE0G

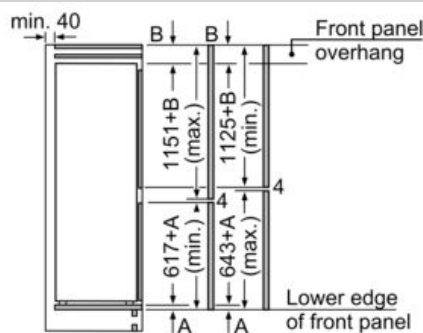
Dimensioned drawings



measurements in mm
Recommended gap dimensions for flat hinges



The gap dimensions recommended in the table must be adhered to in order to ensure that appliance doors do not collide with anything when they are opened, and to avoid causing damage to kitchen units.



The specified unit door dimensions are valid for a door gap of 4 mm.
measurements in mm

