

N 30, Built-in fridge-freezer with freezer at bottom, 177.2 x
54.1 cm, flat hinge
KI7861FFOG



This No Frost built-in fridge-freezer with Eco Air Flow ensures ideal air circulation in the entire fridge.

- ✓ Fresh Safe – Fridge drawer for flexible storage of your fresh fruit and vegetables.
- ✓ Eco Air Flow – Even air circulation for constant temperatures and fast cooling.
- ✓ No Frost – No more defrosting your freezer.
- ✓ Adjustable Glass Shelves – Height adjustable shelves create the space you need for inspiring dishes in your fridge
- ✓ LED Light – Illuminate your fridge with long-life LEDs.

Features

Technical Data

Energy Efficiency Class : F

Average annual energy consumption in kilowatt hour per year (kWh/a) : 293 kWh/annum

Sum of volume of frozen compartments : 76 l

Sum of volume of chill compartments : 184 l

Airborne acoustical noise emissions : 39 dB(A) re 1 pW

Airborne acoustical noise emission class : C

Construction type : Built-in

Door panel options : Possible but accessory

Height : 1772 mm

Width of the appliance : 541 mm

Depth of the product : 548 mm

Min. required niche size for installation (HxWxD) : 1775.0 x 560 x 550 mm

Net weight : 53.1 kg

Fuse protection : 10 A

Door hinge : Right reversible

Voltage : 220-240 V

Frequency : 50 Hz

Length of electrical supply cord : 230 cm

Storage Period in Event of Power Failure (h) : 10 h

Number of compressors : 1

Number of independent cooling systems : 1

Interior ventilator : No

Reversible Door Hinge : Yes

Number of Adjustable Shelves in fridge compartment (Stck) : 3

Shelves for Bottles : No

Frost free system : Freezer

Installation type : Full-integrated

Type of hinge : Flush-folding



4 242004 257622

*N 30, Built-in fridge-freezer with freezer at bottom,
177.2 x 54.1 cm, flat hinge
KI7861FFOG*

Features

- Built-in fridge-freezer combination
- easy Installation

Performance and Consumption

- EU19_EEK_D: F
- Total Volume : 260 l
- Net Fridge Volume : 184 l
- Net Freezer Volume : 76 l
- Freezing capacity 24h : 4 kg
- Annual Energy Consumption: 293 kWh/a
- Climate Class: SN-ST
- Noise Level : 39 dB , EU19_Noise emission class_D: C
- Temperature rise time : EU19_Temperature rise time_D: 10 H

Functions

- Bright interior LED fridge light

Design features

- Electronic control (LED chain)
- Super Cooling: No
- SuperFreeze function with automatic deactivation
- optical, acoustic for Fridge and Freeze

Design features

- 4 safety glass shelves in fridge compartment of which 3 are height adjustable
- 3 door trays, including 0x dairy compartment
- 1 removable door storage compartments.

Freshness System

- 1 FreshSafe drawer- The ideal place to store your fruit and vegetables safely.

Food freshness system

- 3 freezer drawers

Dimension and installation

- Dimensions: 177.2 cm H x 54.1 cm W x 54.8 cm D
- Niche Dimensions: 177.5 cm H x 56 cm W x 55 cm D

Key features - Fridge section

- Right hinged door, reversible
- 220 - 240 V

Key features - Freezer section

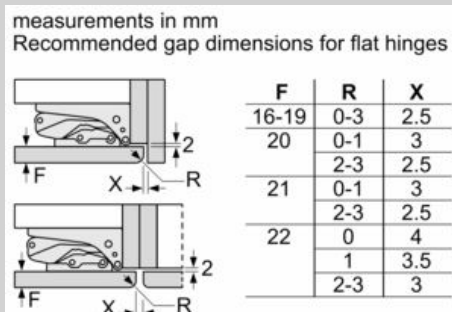
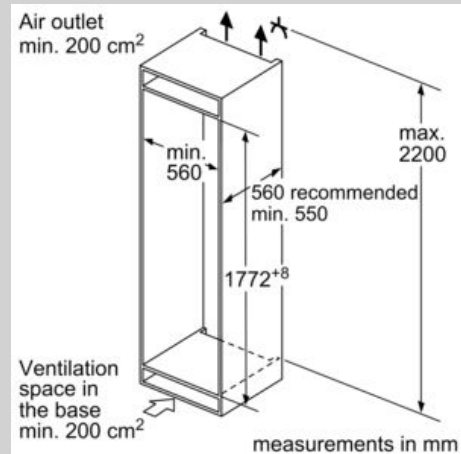
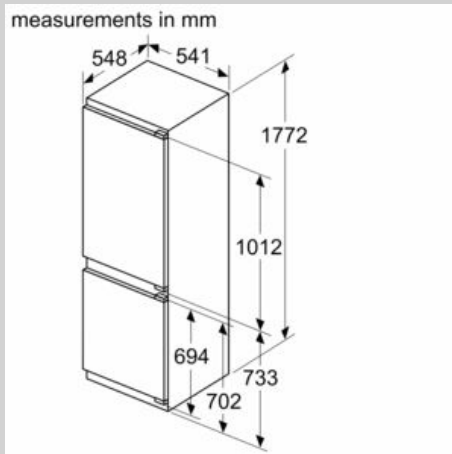
- 2 x egg tray, 1 x ice cube tray

Country Specific Options

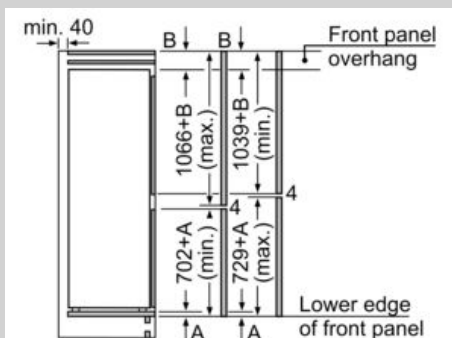
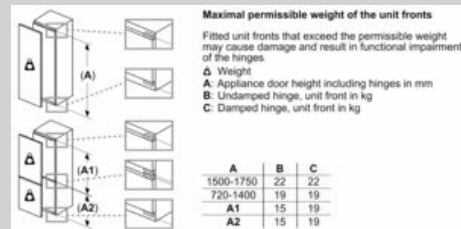
- Based on the results of the standard 24-hour test. Actual consumption depends on usage/position of the appliance.
- noFrost freezer, never have to defrost ever again

N 30, Built-in fridge-freezer with freezer at bottom,
 177.2 x 54.1 cm, flat hinge
 KI7861FFOG

Dimensioned drawings



The gap dimensions recommended in the table must be adhered to in order to ensure that appliance doors do not collide with anything when they are opened, and to avoid causing damage to kitchen units.



The specified unit door dimensions are valid for a door gap of 4 mm.
 measurements in mm

