

N 50, Built-in fridge-freezer with freezer at bottom, 177.2 x 54.1 cm, sliding hinge  
KI7862SE0G



This No Frost built-in fridge-freezer with Fresh Safe 1 <math><0^{\circ}\text{C}</math> keeps food fresh and ensures ideal air circulation in the fridge.

- ✓ Fresh Safe 1 – Flexible fridge drawer for fruit and vegetables.
- ✓ Eco Air Flow – Even air circulation for constant temperatures and fast cooling.
- ✓ No Frost – No more defrosting your freezer.
- ✓ Adjustable Glass Shelves – Height adjustable shelves create the space you need for inspiring dishes in your fridge
- ✓ LED Light – Illuminate your fridge with long-life LEDs.

#### Features

##### Technical Data

Energy Efficiency Class : E

Average annual energy consumption in kilowatt hour per year (kWh/a) : 234 kWh/annum

Sum of volume of frozen compartments : 76 l

Sum of volume of chill compartments : 184 l

Airborne acoustical noise emissions : 35 dB(A) re 1 pW

Airborne acoustical noise emission class : B

Construction type : Built-in

Door panel options : Not possible

Width of the appliance : 541 mm

Depth of the product : 548 mm

Required niche size for installation (HxWxD) : 1775.0 x 560 x 550 mm

Net weight : 52.1 kg

Fuse protection : 10 A

Door hinge : Right reversible

Voltage : 220-240 V

Frequency : 50 Hz

Approval certificates : CE, E17D UKCA marking, VDE

Length of electrical supply cord : 230 cm

Storage Period in Event of Power Failure (h) : 10 h

Number of compressors : 1

Number of independent cooling systems : 1

Interior ventilator : No

Reversible Door Hinge : Yes

Number of Adjustable Shelves in fridge compartment (Stck) : 3

Shelves for Bottles : No

Frost free system : Freezer

Installation type : Full-integrated

Type of hinge : Follow-door



N 50, Built-in fridge-freezer with freezer at bottom,  
 177.2 x 54.1 cm, sliding hinge  
 KI7862SE0G

## Features

### Design features

- easy Installation

### Performance and Consumption

- EU19\_EEK\_D: E
- Total Volume : 260 l
- Net Fridge Volume : 184 l
- Net Freezer Volume : 76 l
- Freezing capacity 24h : 4 kg
- Annual Energy Consumption: 234 kWh/a
- Climate Class: SN-ST
- Noise Level : 35 dB , EU19\_Noise emission class\_D: B
- Temperature rise time : EU19\_Temperature rise time\_D: 10 H

### Functions

- Bright interior LED fridge light

### Design features

- Electronic control (LED chain)
- Super Cooling: No
- SuperFreeze function with automatic deactivation
- optical, acoustic for Fridge and Freeze

### Design features

- 4 safety glass shelves in fridge compartment of which 3 are height adjustable
- 3 door trays, including 1x dairy compartment
- 1 removable door storage compartments.
- 3 door bins

### Freshness System

- 1 FreshSafe drawer with humidity control retains freshness for longer.

### Food freshness system

- noFrost freezer, never have to defrost ever again
- 3 freezer drawers

### Dimension and installation

- Dimensions: 177.2 cm H x 54.1 cm W x 54.8 cm D
- Niche Dimensions: 177.5 cm H x 56 cm W x 55 cm D

### Key features - Fridge section

- Right hinged door, reversible
- 220 - 240 V

### Key features - Freezer section

- 2 x egg tray, 1 x ice cube tray

### Country Specific Options

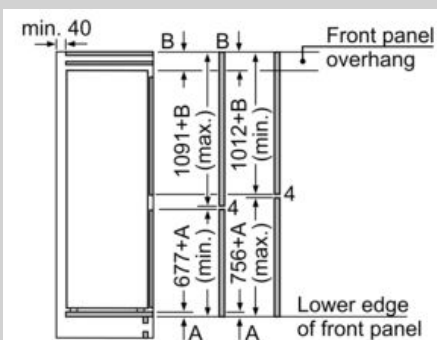
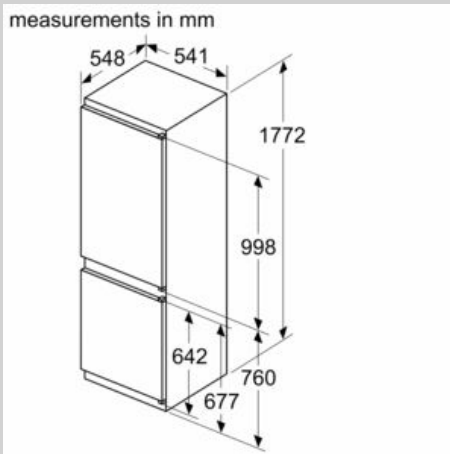
- Based on the results of the standard 24-hour test. Actual consumption depends on usage/position of the appliance.

### Additional features

- Net 4\* compartment volume : 76 l

N 50, Built-in fridge-freezer with freezer at bottom,  
 177.2 x 54.1 cm, sliding hinge  
 K17862SE0G

## Dimensioned drawings



The specified unit door dimensions  
 are valid for a door gap of 4 mm.

measurements in mm

