

N 50, BUILT-IN FRIDGE-FREEZER WITH FREEZER AT BOTTOM, 193.5 X 55.8 CM, FLAT HINGE KI7962FDOG



The spacious built-in fridge freezer has an extra shelf, additional door bins, plus more cooling volume including Fresh Safe 1 near 0°C drawer for fruit and vegetables, No Frost and flexible storage solutions.

- ✓ Extra Space – More capacity for flexible cooling.
- ✓ Fresh Safe 1 0°C – Ideal storage for fruit and veg, fish and meat.
- ✓ Eco Air Flow – Even air circulation for constant temperatures and fast cooling.
- ✓ Bottle Flex Shelf – A bottle holder and shelf in one.
- ✓ No Frost – No more defrosting your freezer.

Features

Technical Data

Energy Efficiency Class ¹ :	D
Average annual energy consumption in kilowatt hour per year (kWh/a):	184 kWh/a
Sum of volume of frozen compartments:	75 l
Sum of volume of chill compartments:	215 l
Airborne acoustical noise emissions :	34 dB(A) re 1pW
Airborne acoustical noise emission class:	B
Built-in / Free-standing:	Built-in
Door panel options:	Not possible
Height:	1935 mm
Width of the appliance:	558 mm
Depth:	548 mm
Required niche size for installation (HxWxD): ...	1940x560x550 mm
Net weight:	60.2 kg
EAN code:	4242004287247
Fuse protection:	10 A
Door hinge:	Right reversible
Voltage:	220-240 V
Frequency:	50-60 Hz
Length electrical supply cord:	230.0 cm
Number of compressors:	1
Number of independent cooling systems:	2
Interior ventilator:	No
Reversible Door Hinge:	Yes
Number of Adjustable Shelves in fridge compartment:	3
Shelves for Bottles:	No
Frost free system:	Freezer
Installation typology:	Full-integrated

Optional accessories

KSGG0MZ0 Butter box



¹ Scale of Energy Efficiency Classes from A to G

N 50, BUILT-IN FRIDGE-FREEZER WITH FREEZER
AT BOTTOM, 193.5 X 55.8 CM, FLAT HINGE
KI7962FD0G

Features

- KI7962FD0G
- noFrost freezer, Built-in fridge/freezer
- Fixed hinge, softClosing door: No

Performance and Consumption

- EU19_EEK_D: D
- Total Volume : 290 l
- Annual Energy Consumption: 184 kWh/a
- Noise Level : 34 dB , EU19_Noise emission class_D: B

Functions

- Bright interior LED fridge light in fridge section
- Built-in fridge/freezer

Design features

- NO_FROST_NEU_BL, never have to defrost ever again
- EU19_Fast freezer facility_D
- Twin LED electronic control panel
- optical and acoustical
- Automatic defrost fridge

Design features

- Net Fridge Volume : 215 l
- 4 safety glass shelves in fridge compartment of which 3 are height adjustable
- BottleFlex Shelf
- Door shelves in fridge door: 1 large and 3 small.

Freshness System

- 1 FreshSafe drawer with humidity control retains freshness for longer.

Food freshness system

- Net Freezer Volume : 75 l
- Freezing capacity 24h : 8 kg
- Temperature rise time : EU19_Temperature rise time_D: 11 H
- 3 freezer drawers

Dimension and installation

- Dimensions: 193.5 cm H x 55.8 cm W x 54.8 cm D
- Niche Dimensions: 194 cm H x 56 cm W x 55 cm D

Key features - Fridge section

- Right hinged door, reversible
- Length of power cord: 230 cm
- Climate Class: SN-ST
- 220 - 240 V

Key features - Freezer section

- 1 x ice cube tray

Country Specific Options

- Based on the results of the standard 24-hour test. Actual consumption depends on usage/position of the appliance.

Design features

Dimension and installation

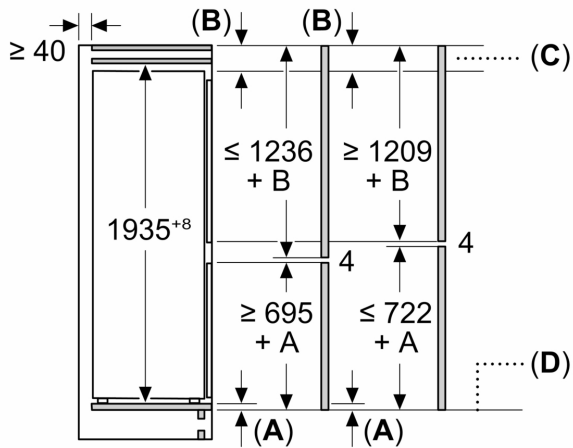
Additional features

- none
- Super Cooling: automatic deactivation

N 50, BUILT-IN FRIDGE-FREEZER WITH FREEZER AT BOTTOM, 193.5 X 55.8 CM, FLAT HINGE
K17962FDOG

Dimensioned drawings

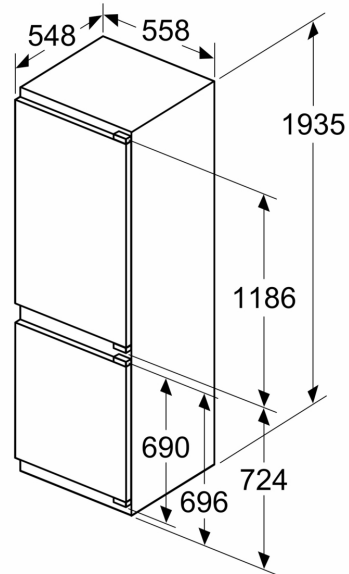
Measurements in mm



C: Front panel overhang

D: Lower edge of front panel

Measurements in mm



Measurements in mm

