

iQ300, Built-in fridge-freezer with freezer at bottom, 177.2 x 54.1 cm, sliding hinge KI86NVSE0G



Built-in fridge-freezer with hyperFresh system to keep food fresh for longer and thanks to noFrost no more ice to build up in the freezer.

- ✓ noFrost – Never defrost your freezer again.
- ✓ autoAirflow – Even cooling keeps food fresh for longer.
- ✓ LED light – Ample, even lighting helps you check what's in your fridge faster.
- ✓ superFreezing – Quick-freeze even large amounts of food.
- ✓ bottleRack – Store your bottles safely and in easy reach.

Features

Technical Data

Energy Efficiency Class: E
 Average annual energy consumption in kilowatt hour per year (kWh/a): 234 kWh/annum
 Sum of volume of frozen compartments: 76 l
 Sum of volume of chill compartments: 184 l
 Airborne acoustical noise emissions : 35 dB(A) re 1 pW
 Airborne acoustical noise emission class: B
 Construction type: Built-in
 Door panel options: Not possible
 Height: 1772 mm
 Width of the appliance: 541 mm
 Depth of the product: 548 mm
 Min. required niche size for installation (HxWxD): 1775.0 x 560 x 550 mm
 Net weight: 52.3 kg
 Fuse protection: 10 A
 Door hinge: Right reversible
 Voltage: 220-240 V
 Frequency: 50 Hz
 Length of electrical supply cord: 230 cm
 Storage Period in Event of Power Failure (h): 10 h
 Number of compressors: 1
 Number of independent cooling systems: 1
 Interior ventilator: No
 Reversible Door Hinge: Yes
 Number of Adjustable Shelves in fridge compartment (Stck): 3
 Shelves for Bottles: Yes
 Frost free system: Freezer
 Installation type: Full-integrated
 Type of hinge: Follow-door

Included accessories

- 3 x egg tray
- 1 x ice cube tray



**iQ300, Built-in fridge-freezer with
freezer at bottom, 177.2 x 54.1 cm,
sliding hinge
KI86NVSE0G**

Features

- KI86NVSE0G

Design features

- easy Installation

Performance and Consumption

- EU19_EEK_D: E
- Total Volume : 260 l
- Net Fridge Volume : 184 l
- Net Freezer Volume : 76 l
- Freezing capacity 24h : 4 kg
- Annual Energy Consumption: 234 kWh/a
- Climate Class: SN-ST
- Noise Level : 35 dB , EU19_Noise emission class_D: B
- Temperature rise time : EU19_Temperature rise time_D: 10 H

Functions

- Bright interior LED fridge light

Design features

- Electronic control (LED chain)
- Super Cooling: No
- superFreeze function with automatic deactivation
- optical, acoustic for Fridge and Freeze

Design features

- 4 safety glass shelves in fridge compartment of which 3 are height adjustable
- 3 door trays, including 0x dairy compartment
- 1 removable door storage compartments.
- 3 door bins

Freshness System

- 1 hyperFresh box with integrated humidity control
-

Food freshness system

- noFrost freezer, never have to defrost ever again
- 3 freezer drawers

Dimension and installation

- Dimensions: 177.2 cm H x 54.1 cm W x 54.8 cm D
- Niche Dimensions: 177.5 cm H x 56 cm W x 55 cm D

Key features - Fridge section

- Right hinged door, door reversible
- 220 - 240 V

Key features - Freezer section

- 3 x egg tray, 2 x ice cube tray

Country Specific Options

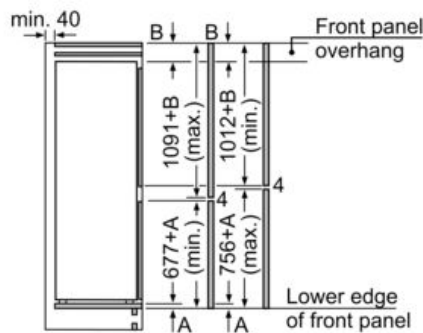
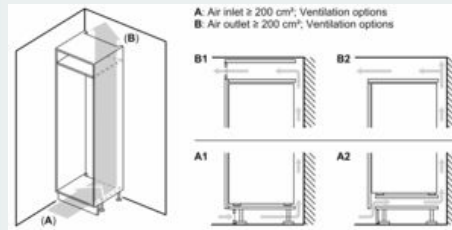
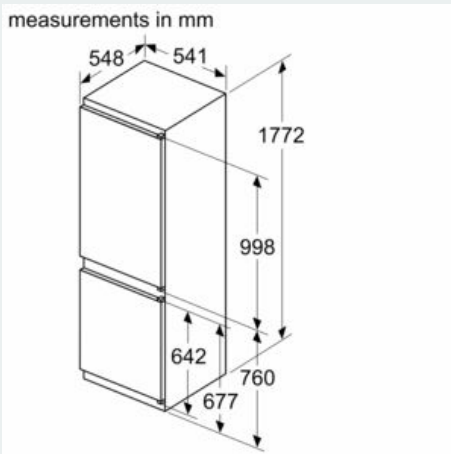
- Based on the results of the standard 24-hour test. Actual consumption depends on usage/position of the appliance.

Additional features

- Net 4* compartment volume : 76 l

**iQ300, Built-in fridge-freezer with
freezer at bottom, 177.2 x 54.1 cm,
sliding hinge
KI86NVSE0G**

Dimensioned drawings



The specified unit door dimensions are valid for a door gap of 4 mm.
measurements in mm

