

**Series 2, Built-in fridge, 177.5 x 56 cm, sliding hinge  
KIR81NSE0G**



**Included accessories**

3 x egg tray

**Optional accessories**

KSZB6R00 Bottle Rack  
KSZGGM00 Butter box

**The spacious built-in fridge with Multi Box XXL drawer for fruit and vegetables and high stability door trays provides optimal food storage.**

- **LED lighting:** all your items in perfect view.
- **Super Cool function:** cools new food faster, to protect what is already inside.

**Technical Data**

Energy Efficiency Class: ..... E  
 Average annual energy consumption in kilowatt hour per year (kWh/a): ..... 114 kWh/annum  
 Sum of volume of frozen compartments: ..... 0 l  
 Sum of volume of chill compartments: ..... 310 l  
 Airborne acoustical noise emissions : .....35 dB(A) re 1 pW  
 Airborne acoustical noise emission class: .....B  
 Built-in / Free-standing: ..... Built-in  
 Door panel options: ..... Not possible  
 Height: ..... 1772 mm  
 Width of the appliance: .....541 mm  
 Depth: .....548 mm  
 Min. required niche size for installation (HxWxD): 1775.0 x 560 x 550 mm  
 Net weight: .....51.3 kg  
 Fuse protection: .....10 A  
 Door hinge: ..... Right reversible  
 Voltage: ..... 220-240 V  
 Frequency: ..... 50 Hz  
 Length electrical supply cord: ..... 230.0 cm  
 Number of compressors: ..... 1  
 Number of independent cooling systems: ..... 1  
 Interior ventilator: ..... Yes  
 Reversible Door Hinge: ..... Yes  
 Number of Adjustable Shelves in fridge compartment: ..... 5  
 Shelves for Bottles: ..... No  
 EAN code: .....4242005365067  
 Brand: ..... Bosch  
 Product name / Commercial code: ..... KIR81NSE0G  
 Product category: ..... Refrigerator  
 Frost free system: .....No  
 Installation typology: ..... Integrated  
 Included accessories: ..... 3 x egg tray



## **Series 2, Built-in fridge, 177.5 x 56 cm, sliding hinge KIR81NSE0G**

**The spacious built-in fridge with Multi Box XXL drawer for fruit and vegetables and high stability door trays provides optimal food storage.**

---

### **Performance and Consumption**

- EU19\_EEK\_D: E
- Total Volume : 310 l
- Annual Energy Consumption: 114 kWh/a
- Climate Class: SN-ST
- Noise Level : 35 dB , EU19\_Noise emission class\_D: B

### **Functions**

- Bright interior LED fridge light

### **Design features**

- LED electronic control
- Optical and accoustical
- Super Cooling: automatic deactivation
- Automatic defrost fridge
- Easy clean interior

### **Design features**

- Net Fridge Volume : 310 L
- 7 safety glass shelves in fridge compartment of which 5 are height adjustable
- 5 door bins

### **Freshness System**

- 2 MultiBox drawers

### **Key features - Fridge section**

- Right hinged door, door reversible
- integrated
- Length of power cord:230 cm
- 220 - 240 V

### **Dimension and installation**

- Niche Dimensions: 177.5 cm H x 56 cm W x 55 cm D
- Dimensions: 177.2 cm H x 54.1 cm W x 54.8 cm D

### **Key features - Freezer section**

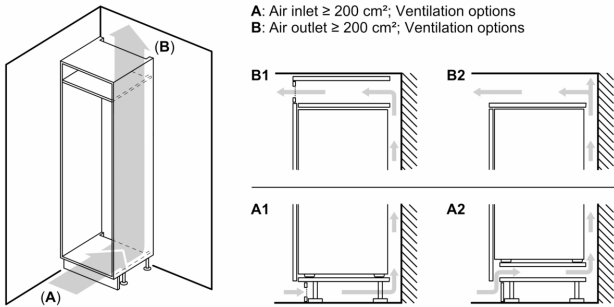
- KIR81NSE0G

### **Country Specific Options**

- Based on the results of the standard 24-hour test. Actual consumption depends on usage/position of the appliance.

### **Additional features**

**Series 2, Built-in fridge, 177.5 x 56 cm, sliding hinge  
KIR81NSE0G**



Measurements in mm

