

KM 8695-2 FL MattFinish
 Induction hob with onset controls
 936 mm | Full-surface | M Sense ready | MattFinish



- Resistant matt surface for a sophisticated kitchen design – MattFinish
- Full-surface induction for up to 6 items of cookware
- Precise settings via 6 MultiSlidesliders including intelligent networking
- Prepared for cooking and frying assistance with M Sense cookware – M Sense ready
- A width of 936 mm for surface-mounted or flush-fit installation
- Shortest heat-up times thanks to Booster level

EAN: 4002516976004 / Material number: 12948340 /
 Old Material Number: 26186955GB

General information	
Model identifier	KM 8695-2 FL MattFinish
Manufacturer material number	12948340
EAN number	4002516976004
Marketing class	Platinum
Heating type	
Heating type	Induction
Construction type	
Independent of cooker	•
Design	
Elegant glass ceramic surface	•
Ceramic surface colour	Matt black
Scratch-resistant surface	MattFinish
Flush	•
Surface-mounted installation	•
Cooking zone details	
Number of cooking zones	1
Number of cooking areas	1
Maximum number of pans	6
1st cooking zone/cooking area	
Position	Can be selected freely
Type	Full area
Size in mm	870x380
Max. rating in W	2600
Max. Booster power rating in W	3650
User convenience	
Networking with Miele@home	•
Con@ctivity	•
Pan and pan size recognition	•
M Sense ready	•
Operation via sensor controls	MultiSlide
Display colour	White
Intelligent pan recognition	•
Professional mode	•
Stop & Go function	•
Wipe protection	•
Recall function	•
Minute minder	•
Safety switch-off	•
Auto heat-up	•
Keeping warm	•
Individual setting options (e.g. buzzers)	•
Assistance programmes	•
Efficiency	
Power rating in off mode in W	0.3
Power rating in standby mode in W	0.8
Power rating in networked standby in W	2.0
Time until automatic switch to off mode in min	10

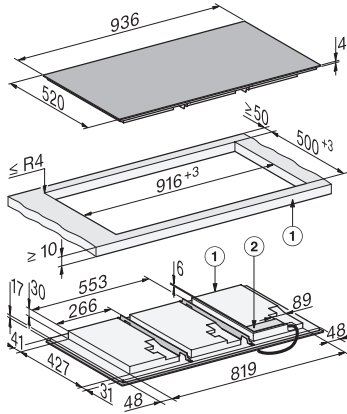
KM 8695-2 FL MattFinish
 Induction hob with onset controls
 936 mm | Full-surface | M Sense ready | MattFinish



EAN: 4002516976004 / Material number: 12948340 /
 Old Material Number: 26186955GB

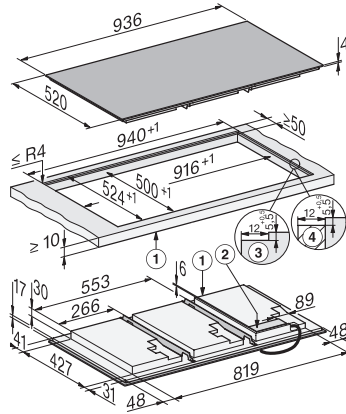
Time until automatic switch to standby in min	10
Time until automatic switch to networked standby in min	10
Cleaning and care	
Easy to clean ceramic glass	•
Safety	
Safety switch-off	•
Lock function	•
System lock	•
Integrated cooling fan	•
Overheating protection	•
Residual heat indicator	•
Technical data	
Dimensions (H x W x D) in mm	51 x 936 x 520
Dimensions (W x D) in mm	936 x 51 x 520
Dimensions in mm (width)	936
Dimensions in mm (height)	51
Dimensions in mm (depth)	520
Cut-out dimensions (W x D) with surface-mounted installation in mm	916 mm x 500 mm
Cut-out dimensions (W x D) with flush-fit installation in mm	916/940 x 500/524
Casing height incl. connection box in mm	51
Cutout dimensions in mm (width) with surface-mounted installation	916 mm
Cutout dimensions in mm (depth) with surface-mounted installation	500 mm
Internal cutout dimensions in mm (width) with flush installation	916
Internal cutout dimensions in mm (depth) with flush installation	500
Weight in kg	20
External cutout dimensions in mm (width) with flush installation	940
External cutout dimensions in mm (depth) with flush installation	524
Total rated load in kW	9.20
Length of supply lead in m	1.6
Voltage in V	230
Frequency in Hz	50-60
Accessories included	
Mains cable	Yes

KM 8695-2 FL MattFinish
 Induction hob with onset controls
 936 mm | Full-surface | M Sense ready | MattFinish



KM8695-2FL, KM8695-2FL MattFinish, surface-mounted (*Fußnote) Installation drawing

1) front, 2) Mains connection box, The mains connection cable (L = 1440 mm) is enclosed loose



KM8695-2FL, KM8695-2FL MattFinish, flush (*Fußnote) (Installation drawing)

1) front, 2) Mains connection box, The mains connection cable (L = 1440 mm) is enclosed loosely, 3) Step milling natural stone worktop, 4) Wooden strip 12 mm (no supplied accessories)