

KPF9BL New product

Portofino

WALL DECORATIVE HOOD, 90 CM, PORTOFINO, BLACK,
ENERGY RATING A+

EAN13: 8017709236304

Extraction: Expulsion

Controls

Control setting: Control knobs

No. of controls: 2

Control knobs: Portofino

Controls colour: Steel effect

Programs / Functions

No. of speeds: 3

Intensive speed

Technical Features

No. of lights: 2

Light type: LED

Light Power: 2 W

Free outlet maximum capacity: 815 m³/h

Motor power: 275 W

No. of filters: 3

Anti-grease filters: Stainless steel

Vent outlet: 150 mm

Non return valve



Speed	I	II	III	INT.
EXTRACTION RATE IEC 61591 [m ³ /h]:	288	421	630	781
NOISE LEVEL dB(A) IEC 60704-2-13:	48	63	67	72

Electrical Connection

Electrical connection rating: 277 W

Voltage: 220-240 V

Frequency (Hz): 50-60 Hz

Options

- **FLT6** - Charcoal filter

Versions

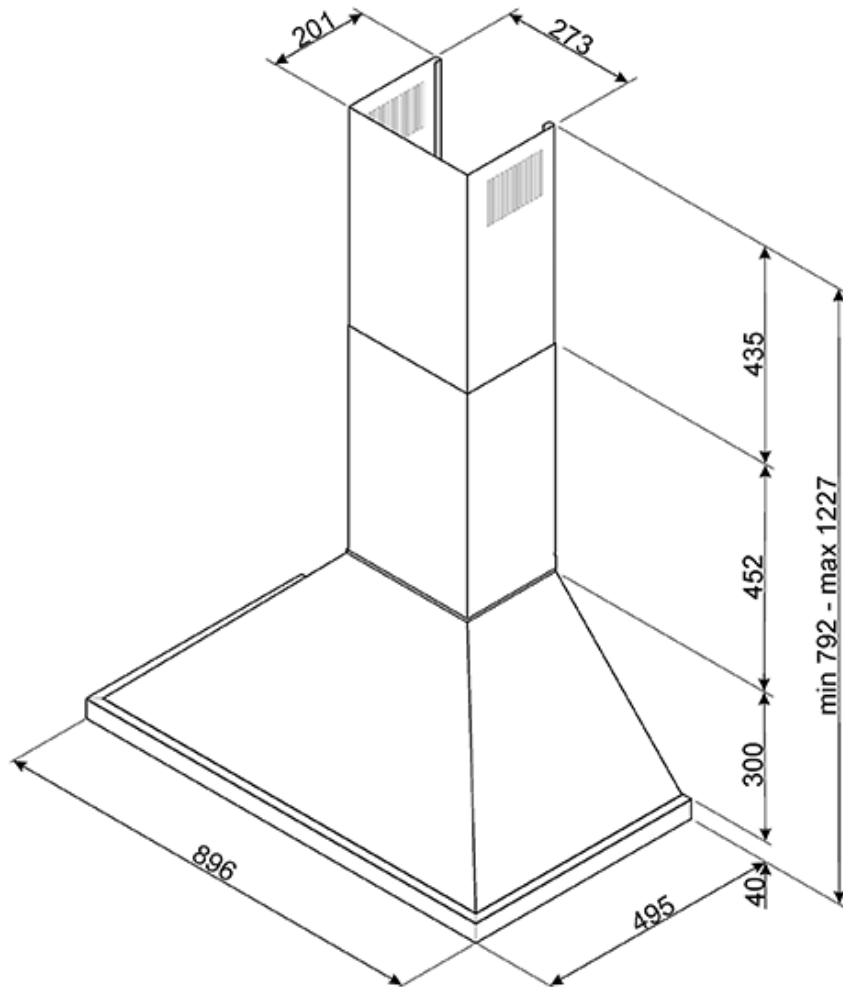
- **KPF9AN** - Anthracite
- **KPF9OG** - Olive Green
- **KPF9OR** - Orange
- **KPF9RD** - Red
- **KPF9WH** - White
- **KPF9X** - Stainless steel
- **KPF9YW** - Yellow



KPF9BL

Portofino

wall hood
90 cm
black
energy rating A+



SMEG S.p.A.
Via Leonardo da Vinci, 4
42016 Guastalla (RE)
Tel. 0522 821 1