

## KPF9X New product

### Portofino

WALL DECORATIVE HOOD, 90 CM, PORTOFINO,  
STAINLESS STEEL,  
ENERGY RATING A+

EAN13: 8017709236373

Extraction: Expulsion

#### Controls

Control setting: Control knobs

No. of controls: 2

Control knobs: Portofino

Controls colour: Steel effect

#### Programs / Functions

No. of speeds: 3

Intensive speed

#### Technical Features

No. of lights: 2

Light type: LED

Light Power: 2 W

Free outlet maximum capacity: 815 m<sup>3</sup>/h

Motor power: 275 W

No. of filters: 3

Anti-grease filters: Stainless steel

Vent outlet: 150 mm

Non return valve



Speed	I	II	III	INT.
EXTRACTION RATE IEC 61591 [m <sup>3</sup> /h]:	288	421	630	781
NOISE LEVEL dB(A) IEC 60704-2-13:	48	63	67	72

#### Electrical Connection

Electrical connection rating: 277 W

Voltage: 220-240 V

Frequency (Hz): 50-60 Hz

## Options

- **FLT6** - Charcoal filter

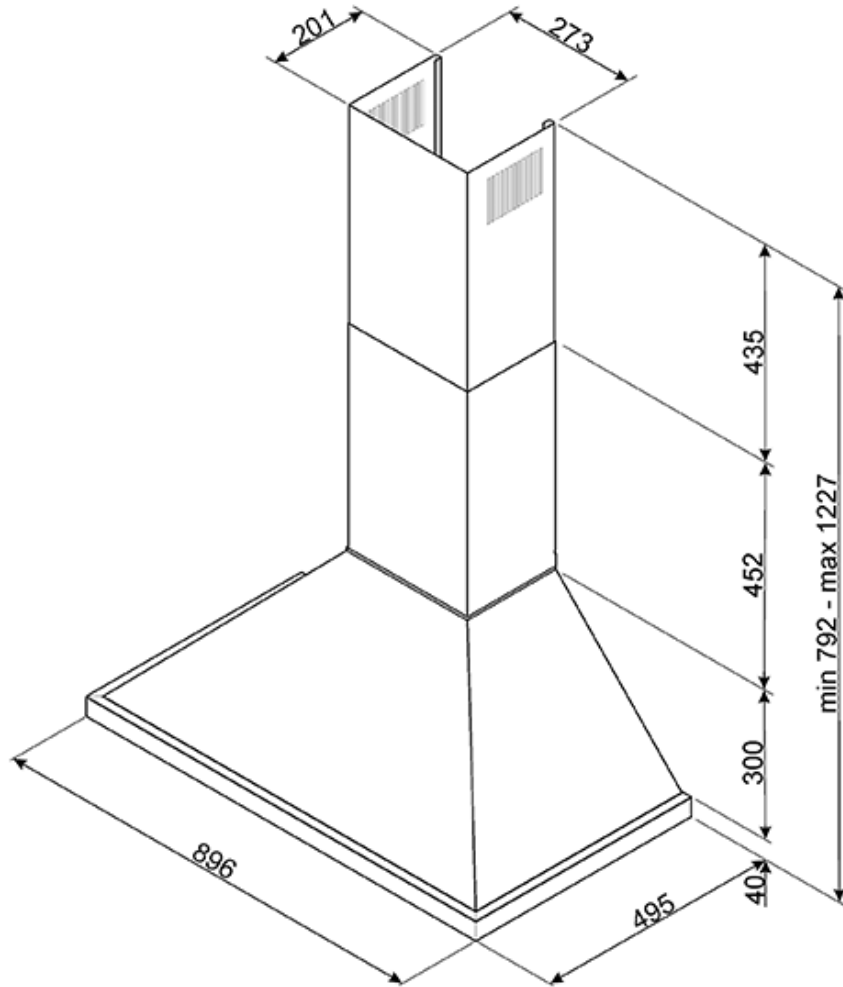
## Versions

- **KPF9AN** - Anthracite
- **KPF9BL** - Black
- **KPF9OG** - Olive Green
- **KPF9OR** - Orange
- **KPF9RD** - Red
- **KPF9WH** - White
- **KPF9YW** - Yellow



**KPF9X**  
Portofino

wall hood  
90 cm  
stainless steel  
energy rating A+



SMEG S.p.A.  
Via Leonardo da Vinci, 4  
42016 Guastalla (RE)  
Tel. 0522 821 1