

## KT100BLE

### Victoria

100cm Black Chimney Hood

EAN13: 8017709244033



- Energy rating: A
- 1 motor, 275W
- 3 speeds + Intensive
- 3 Aluminum grease filters
- 2 x 2W LED lights
- Internal re-circulation possible
- Non return valve
- Vent outlet Ø 150 mm
- Nominal power : 277W

Minimum clearance required when installing this hood above:

Electric hobs: 650mm / Gas hobs: 750mm

Speed	I	II	III	Int
Extraction Rate IEC 61591	334	424	606	787
Noise Level dB(A) IEC 60704-2-13	51	58	64	73

Co-ordinates well with 'Victoria' range cooker TR103BL



### Options

- **FLT6** - Charcoal filter
- **SP150** - Simple ducting kit (150mm wide)
- **SP150FLAT** - Comprehensive ducting kit (150mm wide)



**KT100BLE**

Victoria

Victoria

100 cm

black

chimney hood

min noise level < 50dB (A)



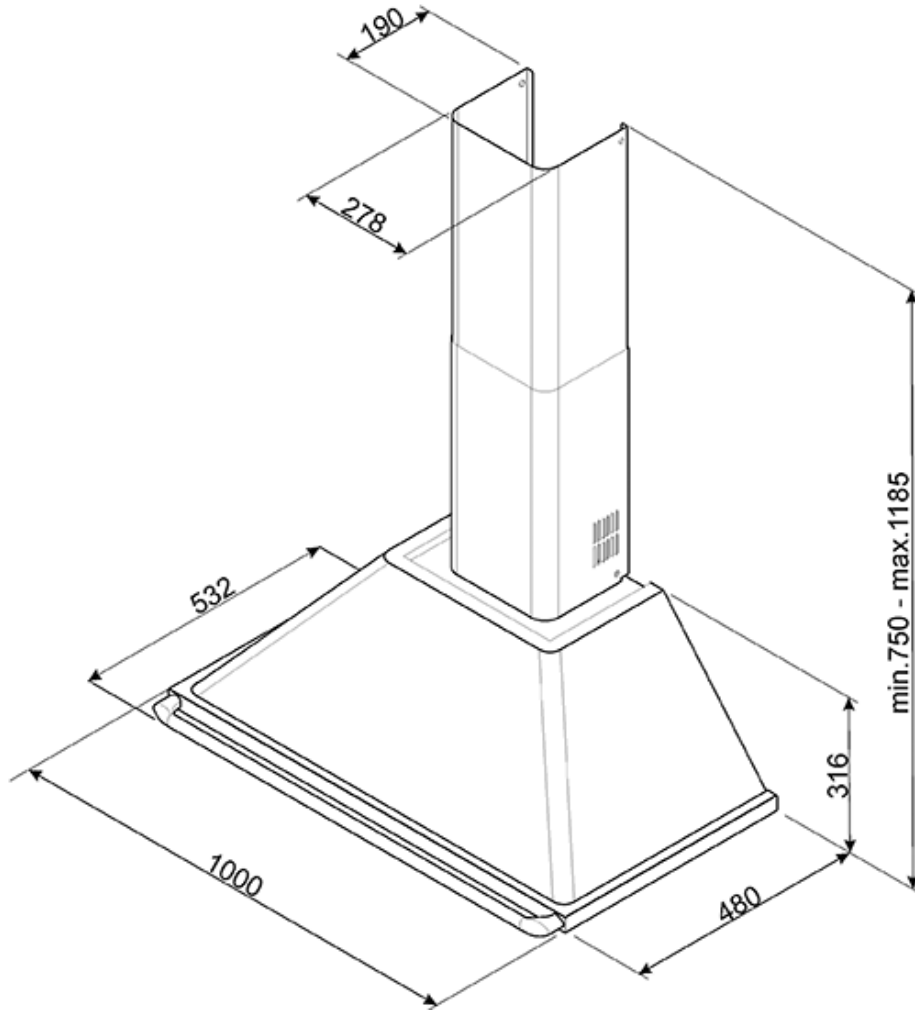
Smeg (UK) Ltd  
The Magna Building, Wyndyke Furlong, Abingdon  
OX14 1DZ  
Tel. +44 (0)844 557 9907  
Fax +44 (0)844 557 9337



# KT100BLE

Victoria

Victoria  
100 cm  
black  
chimney hood  
min noise level < 50dB (A)



Smeg (UK) Ltd  
The Magna Building, Wyndyke Furlong, Abingdon  
OX14 1DZ  
Tel. +44 (0)844 557 9907  
Fax +44 (0)844 557 9337