

iQ300, Telescopic cooker hood, 90 cm, Silver metallic LI94MA531B

A



For clean lines the powerful telescopic cooker hood disappears into an upper cabinet, perfect for modern kitchens.

- ✓ iQdrive motor - The quiet, high-performance motor ensures efficient removal of odours and steam.
- ✓ LED lights: for optimal visibility and ambience while cooking.

Features

Technical Data

Typology : Pull-out
 Length of electrical supply cord : 175 cm
 Min. required niche size for installation (HxWxD) : 162mm x 526.0mm x 290mm mm
 Minimum distance above an electric hob : 430 mm
 Minimum distance above a gas hob : 650 mm
 Net weight : 10.8 kg
 Type of control : Electronic
 Maximum output air extraction : 266 m³/h
 Boost position output recirculating : 353 m³/h
 Maximum output recirculating air : 263 m³/h
 Boost position air extraction : 412 m³/h
 Number of lights (Stck) : 3
 Noise level : 63 dB(A) re 1 pW
 Diameter of air outlet : 120 / 150 mm
 Grease filter material : Washable aluminium
 EAN code : 4242003880234
 Connection rating : 76 W
 Fuse protection : 10 A
 Voltage : 220-240 V
 Frequency : 50; 60 Hz
 Plug type : GB plug
 Installation type : Built-in

Optional accessories

LZ11IT14 Clean Air Standard recirculation kit



iQ300, Telescopic cooker hood, 90 cm, Silver metallic LI94MA531B

Features

Features

- Soft touch button control with Electronic display
- 3 x power levels plus intensive setting
- 3 x 1,5W LED
- Efficient BLDC motor
- Automatic intensive revert (6mins)
- Automatic after running (Automatic after running (10 minutes))
- 3 x metal grease filter cassettes - dishwasher safe

Design

- 90 cm wide
- Silver metallic lacquer
- Handle strip specification: stainless steel with logo
-
- Filter cover stainless steel, perforated and dishwasher safe

Performance

- Suitable for ducted and re-circulating operation
- For recirculated extraction recirculating kit (accessory) needed
- Energy Efficiency Class: A (at a range of energy efficiency classes from A+++ to D)
- Extraction rate according to EN 61591 ø 15 cm:
 - max. Normal use 266m³/h
 - Intensive 412 m³/h
- Noise level according to EN 60704-3 and EN 60704-2-13 at max. normal use exhaust air: 63 dB(A) re 1 pW
- Noise level according to EN 60704-3 and EN 60704-2-13 exhaust air:
 - Max. normal use: 63dB(A) re 1 pW
 - Intensive: 70 dB(A) re 1 pW
- Colour Temperature: 3500 K
- Light Intensity: 355 lux
- Power rating: 76 W
- Average Energy Consumption: 22.2 kWh/year*
- Blower Efficiency Class: B*
- Lighting Efficiency Class: A*
- Grease Filtering Efficiency Class: C*

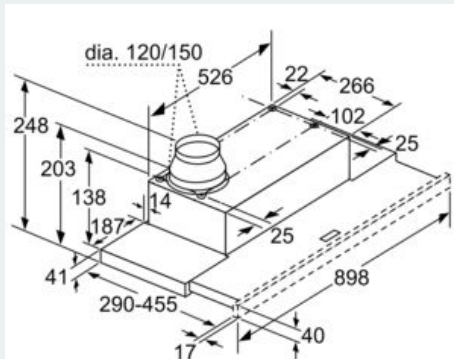
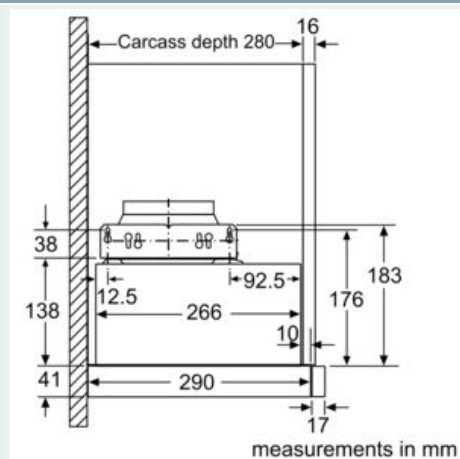
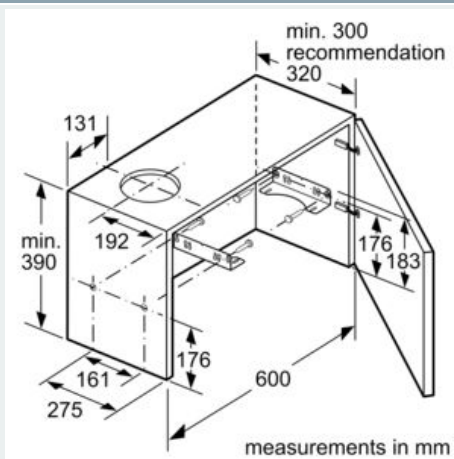
Planning and installation information

- Dimensions (HxWxD): 203 x 898 x 290 mm
- Built-in dimensions (HxWxD): 162 x 526 x 290 mm
- Diameter pipe ø 150 mm (ø 120 mm enclosed)
- Electrical cable length 1.75 m

* In accordance with the EU-Regulation No 65/2014

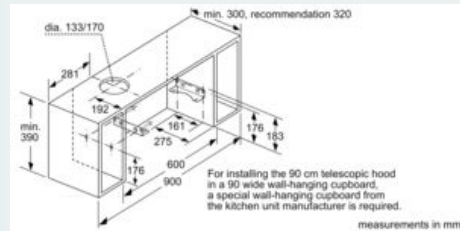
iQ300, Telescopic cooker hood, 90 cm, Silver metallic LI94MA531B

Dimensioned drawings

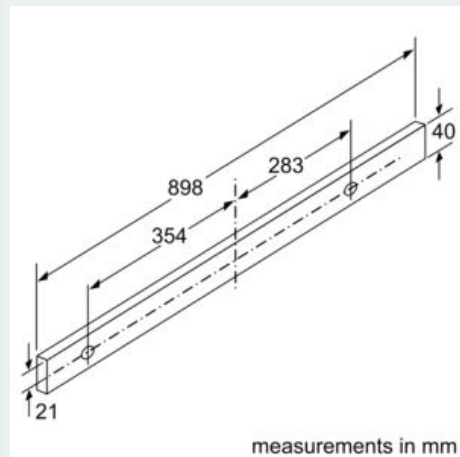
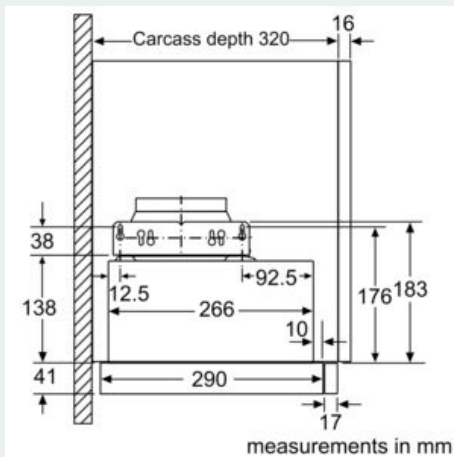


Depth of the filter drawer can be adjusted by up to 29 mm

measurements in mm



For installing the 90 cm telescopic hood in a 90 wide wall-hanging cupboard, a special wall-hanging cupboard from the kitchen unit manufacturer is required.



iQ300, Telescopic cooker hood, 90 cm,
Silver metallic
LI94MA531B

Dimensioned drawings

