



USER GUIDE & INSTALLATION INSTRUCTIONS

1000 Mercury Dual Fuel

MERCURY

DESIGNED FOR PERFECTION

U110086-12b

Contents

1. Before You Start...	1	7. Troubleshooting	21
Personal Safety	1	8. Installation	23
Electrical Connection Safety	1	Dear Installer	23
Gas Connection Safety	2	Safety Requirements and Regulations	23
If You Smell Gas	3	Provision of Ventilation	23
Peculiar Smells	3	Location of Cooker	24
Cooling Fan	3	Conversion	24
Ventilation	3	Positioning the Cooker	25
Maintenance	3	Moving the Cooker	25
Oven Care	4	9. Fitting the Flue, Flue Vent	
Oven Shelves	5	and Side Panels	26
Grill/Glide-out Grill™ Care	5	Fitting the Flue	26
Cooker Care	6	Fitting the Flue Vent	26
Cleaning	6	Setting the height	26
2. Cooker Overview	7	Fitting the Side Panel Rear	
Hotplate Burners	7	Retaining Brackets	27
Wok Burner	8	Remove the Transit Brackets	28
Wok Cradle	8	Fitting the Obscuring Trims	28
Griddle (<i>Optional Extra</i>)	8	Fitting the Side Panels	29
The Glide-out Grill™ (Fig. 2.13)	9	Fitting the Front Mounting Brackets	30
Ovens	10	Fitting the Bottom Panel (<i>Plinth</i>)	30
Accessories	12	Completing the Move	31
3. Using the Glide-out Grill™	14	10. Removing the Side Panels	32
4. Cooking Tips	15	11. Conversion to LP Gas	34
Cooking with a Multifunction Oven	15	Injectors	34
General Oven Tips	15	Tap Adjustment	35
5. Cooking table	16	Reassembling to Liquid Propane Gas	35
6. Cleaning Your Cooker	17	Stick on Label	35
Essential Information	17	Pressure Testing	35
Daily Care	17	12. Gas Connection	36
Griddle (<i>Optional Extra</i>)	18	13. Electrical connection	37
Glide-out Grill™	18	14. Circuit Diagram	38
Control Panel and Oven Doors	19	15. Technical Data	39
Ovens	19		
Tall Oven	19		
Cleaning Table	20		

1. Before You Start...

Your cooker should give you many years of trouble-free cooking if installed and operated correctly. It is important that you read this section before you start.

Personal Safety

This appliance is for cooking purposes only. It must not be used for other purposes, for example heating a room. Using it for any other purpose could invalidate any warranty or liability claim. Besides invalidating claims this wastes fuel and may overheat the control knobs.

This appliance is for use in Great Britain and the Republic of Ireland. It is a Cat II_{2H3+} cooker and is set for G20 at 20 mbar. (A conversion kit for LPG is available for the cooker).

- This appliance can be used by children aged from 8 years and above and persons with reduced physical, sensory or mental capabilities or lack of experience and knowledge if they have been given supervision or instruction concerning use of the appliance in a safe way and understand the hazards involved.
- **WARNING:** Children **less** than 8 years of age should be kept away unless continuously supervised. Children shall not play with the appliance. Cleaning and user maintenance shall not be made by children without supervision.
- The cooker should not be placed on a base.
- This appliance is designed for domestic cooking only. Use for any other purpose could invalidate any warranty or liability claim.
- Before operating the ovens please refer to the oven shelf installation, in the Accessories section.
- **WARNING:** The appliance and its accessible parts become hot during use and will retain heat even after you have stopped cooking. Care should be taken to avoid touching heating elements. Children less than 8 years of age shall be kept away unless continuously supervised.
- **CAUTION:** A long term cooking process has to be supervised from time to time. A short term cooking process has to be supervised continuously.
- At the risk of fire **DO NOT** store items on the cooking surfaces.
- To avoid overheating, **DO NOT** install the cooker behind a decorative door.
- **WARNING:** Accessible parts will become hot during use and will retain heat even after you have stopped cooking. Keep babies and children away from the cooker and never wear loose-fitting or hanging clothes when using the appliance.
- **DO NOT** use a steam cleaner on your cooker.
- Always keep combustible materials, e.g. curtains, and flammable liquids a safe distance away from the cooker.
- **DO NOT** spray aerosols in the vicinity of the cooker while it is on.

Electrical Connection Safety

A Gas Safe registered engineer should service the cooker and only approved spare parts should be used.

The electrical installation must be installed in accordance with all relevant British Standards/Codes of Practice, BS 7671. Or with the relevant national and local regulations and with the local gas and electricity supply companies' requirements.

Otherwise, all installations must be in accordance with the relevant instructions in this booklet.

Fig. 1.1

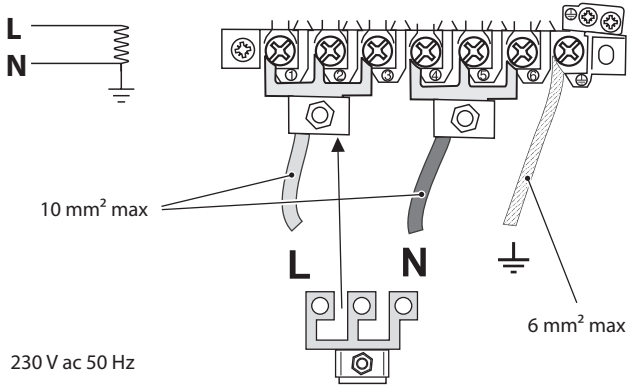
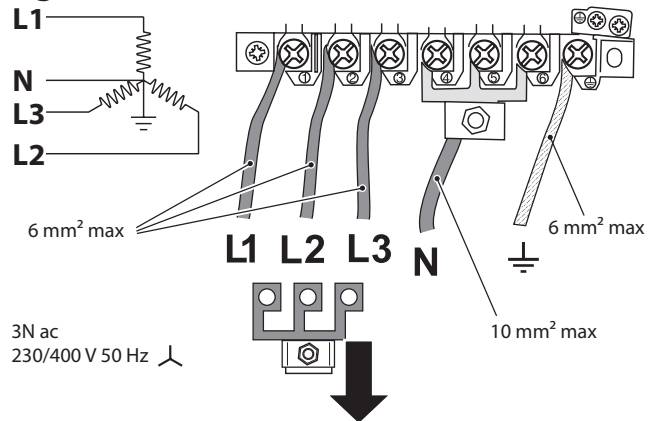


Fig. 1.2



⚠ WARNING: THE APPLIANCE MUST BE EARTHED.

Note: The cooker must be connected to the correct electrical supply as stated on the voltage label on the cooker, through a suitable cooker control unit incorporating a double-pole switch, having a contact separation of at least 3 mm in all poles.

⚠ THE COOKER MUST NOT BE CONNECTED TO AN ORDINARY DOMESTIC POWER POINT.

Access to the mains terminal is gained by removing the electrical terminal cover box on the back panel. Connect the mains cable to the correct terminals for your electrical supply type (**Fig. 1.1** and **Fig. 1.2**). Check that the links are correctly fitted and that the terminal screws are tight. Secure the mains cable using the cable clamp.

Minimum temperature rating T105.

Read the instructions before installing or using this appliance.

Gas Connection Safety

- This cooker is a Class 2 Subclass 1 appliance.
- This appliance can be converted for use on another gas.
- Before installation, make sure that the cooker is suitable for your gas type and supply voltage. See the data badge.
- **DO NOT** use reconditioned or unauthorised gas controls.
- Disconnect from the electricity and gas supply before servicing.
- When servicing or replacing gas-carrying components disconnect from the gas supply before starting operation. Check the appliance is gas sound after completion.
- Make sure that the gas supply is turned on and that the cooker is wired in and switched on.

- In your own interest and that of safety, it is law that all gas appliances be installed by a qualified person(s).
- An appliance for use on LPG must not be installed in a room or internal space below ground level, e.g. in a basement.

This cooker must be installed in accordance with:

- British Standards/Codes of Practice, BS 5440 Part 2
- Natural Gas: BS 6172 and BS 6891
- LP Gas: BS 5482-1 (when the installation is in a permanent dwelling)
- Gas Safety (Installation and Use) regulations
- Relevant Building/IET regulations

If You Smell Gas

- **DO NOT** turn electric switches on or off
- **DO NOT** smoke
- **DO NOT** use naked flames
- Turn off the gas at the meter or cylinder
- Open doors and windows to get rid of the gas
- Keep people away from the area affected
- Call your gas supplier
- **If you are using Natural Gas in the UK, ring the National Grid on: 0800 111 999**

Peculiar Smells

When you first use your cooker it may give off an odour. This should stop after use.

Before using for the first time, make sure that all packing materials have been removed and then, to dispel manufacturing odours, turn the ovens to 200°C and run for at least an hour.

Before using the grill for the first time you should also turn on the grill and run for 30

minutes with the grill pan in position, pushed fully back and the grill door open.

Make sure the room is well ventilated to the outside air (see 'Ventilation' below). People with respiratory or allergy problems should vacate the area for this brief period.

Cooling Fan

This appliance may have a cooling fan. When the grill or ovens are in operation the fan will run to cool the fascia and control knobs.

Ventilation

The use of a cooking appliance results in the production of heat and moisture in the room in which it is installed. Therefore, make sure that the kitchen is well ventilated: keep natural ventilation holes open or install a powered cookerhood that vents outside. If you have several hotplates/burners on, or use the cooker for a long time, open a window or turn on an extractor fan

Maintenance

- It is recommended that this appliance is serviced annually.
- **WARNING:** Before replacing the bulb, turn off the power supply and make sure that the oven is cool.
- **DO NOT** use cooking vessels on the hotplate that overlap the edges.
- Unless specified otherwise in this guide, always allow the cooker to cool and then switch it off at the mains before cleaning or carrying out any maintenance work.
- **DO NOT** use the control knobs to manoeuvre the cooker.
- **NEVER** operate the cooker with wet hands.
- **DO NOT** use a towel or other bulky cloth in place of a glove – it might catch fire if brought into contact with a hot surface.

- **DO NOT** use hotplate protectors, foil or hotplate covers of any description. These may affect the safe use of your hotplate burners and are potentially hazardous to health.
- **NEVER** heat unopened food containers. Pressure build up may make the containers burst and cause injury.
- **WARNING:** Use only hob guards designed by the manufacturer of the cooking appliance or indicated by the manufacturer of the appliance in the instructions for use as suitable or hob guards incorporated in the appliance. The use of inappropriate guards can cause accidents.
- **DO NOT** use unstable saucepans. Always make sure that you position the handles away from the edge of the hotplate.
- **NEVER** leave the hotplate unattended at high heat settings. Pans boiling over can cause smoking, and greasy spills may catch on fire. Use a deep fat thermometer whenever possible to prevent fat overheating beyond the smoking point.

⚠ WARNING: UNATTENDED COOKING ON A HOB WITH FAT OR OIL CAN BE DANGEROUS AND MAY RESULT IN FIRE.

- **NEVER** try to extinguish a fire with water, but switch off the appliance and then cover the flame e.g. with a lid or a fire blanket.
- **NEVER** leave a chip pan unattended. Always heat fat slowly, and watch as it heats. Deep fry pans should be only one third full of fat.

⚠ WARNING: DANGER OF FIRE: DO NOT STORE ITEMS ON THE COOKING SURFACES.

- **NEVER** try to move a pan of hot fat, especially a deep fat fryer. Wait until the fat is cool. Filling the pan too full of fat can

cause spill over when food is added. If you use a combination of oils or fats in frying, stir them together before heating, or as the fats melt.

- Foods for frying should be as dry as possible. Frost on frozen foods or moisture on fresh foods can cause hot fat to bubble up and over the sides of the pan. Carefully watch for spills or overheating of foods when frying at high or medium high temperatures.
- **DO NOT** use the top of the flue (the slot along the back of the cooker) for warming plates, dishes, drying tea towels or softening butter.
- **DO NOT** use water on grease fires and never pick up a flaming pan. Turn the controls off and then smother a flaming pan on a surface unit by covering the pan completely with a well fitting lid or baking tray. If available, use a multi-purpose dry chemical or foam-type fire extinguisher.
- **DO NOT** modify this appliance. This appliance is not intended to be operated by means of external timer or separated remote-control system.
- If flammable materials are stored in the drawer, oven(s) or grill(s) it may explode and result in fire or property damage.

Oven Care

- When the oven is not in use and before attempting to clean the cooker always be certain that the control knobs are in the **OFF** position.
- Use oven gloves to protect your hand from potential burns.
- Cooking high moisture content foods can create a 'steam burst' when the oven door is opened (**Fig. 1.3**). When opening the oven, stand well back and allow any steam to disperse.

- The inside door face is constructed with toughened safety glass. Take care NOT to scratch the surface when cleaning the glass panel.
- Accidental damage may cause the door glass panel to fracture.
- Keep oven vent ducts unobstructed.
- **DO NOT** use harsh abrasive cleaners or sharp metal scrapers to clean the oven door glass since they can scratch the surface, which may result in shattering of the glass.
- Make sure the shelves are pushed firmly to the back of the oven. **DO NOT** close the door against the oven shelves.
- **DO NOT** use aluminium foil to cover shelves, linings or the oven roof.
- When the oven is on, **DO NOT** leave the oven door open for longer than necessary, otherwise the control knobs may become very hot.
- **DO NOT** use the timed oven if the adjoining oven is already warm.
- **DO NOT** place warm food in the oven to be timed.
- **DO NOT** use a timed oven that is already warm.
- Use dry oven gloves when applicable – using damp gloves might result in steam burns when you touch a hot surface.

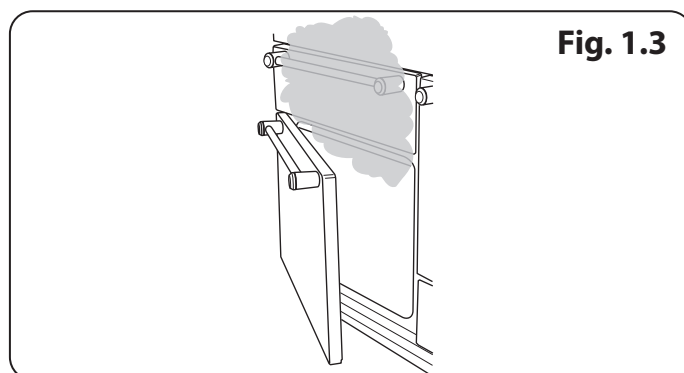


Fig. 1.3

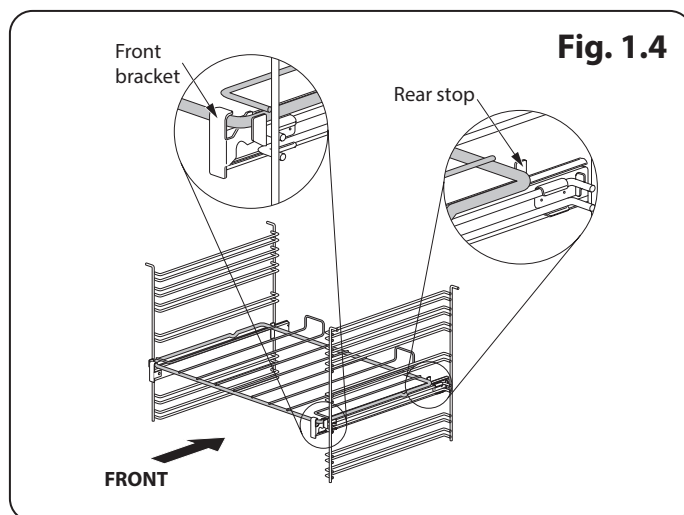


Fig. 1.4

Oven Shelves

To fit the glide-out shelf, hook the front of the shelf onto the runners as shown (**Fig. 1.4**). The rear of the shelf should rest on the runners, in front of the rear stop (**Fig. 1.4**).

Standard oven shelves can be fitted by lining up the shelf with a groove in the oven ladders. Push the shelf back until the ends hit the shelf stop. Lift the front so the shelf clears the stops, then lower the front so the shelf is level and push it fully back.

Grill/Glide-out Grill™ Care

⚠ **WARNING: UNATTENDED COOKING UNDER THE GRILL CAN BE DANGEROUS AND MAY RESULT IN FIRE.**

- When using the grill, make sure that the grill pan is in position and pushed fully in, otherwise the control knobs may become very hot.
- **DO NOT** leave the grill on for more than a few moments without the grill pan underneath it, otherwise the knobs may become hot.
- **NEVER** close the grill door when the grill is on.
- Accessible parts may be hot when the grill is in use. Young children should be kept away

Cooker Care

As steam can condense to water droplets on the cool outer trim of the oven, it may be necessary during cooking to wipe away any moisture with a soft cloth. This will also help to prevent soiling and discolouration of the oven exterior by cooking vapours.

Cleaning

- Isolate the electricity supply before carrying out any thorough cleaning. Allow the cooker to cool.
- In the interests of hygiene and safety, the cooker should be kept clean at all times as a build up in fats and other food stuff could result in a fire.
- Clean only the parts listed in this guide.
- Clean with caution. If a wet sponge or cloth is used to wipe spills on a hot surface, be careful to avoid steam burns. Some cleaners can produce noxious fumes if applied to a hot surface.

- **NEVER** use paint solvents, washing soda, caustic cleaners, biological powders, bleach, chlorine based bleach cleaners, coarse abrasives or salt.
- **DO NOT** mix different cleaning products – they may react together with hazardous results.
- All parts of the cooker can be cleaned with hot soapy water.
- Take care that no water seeps into the appliance.
- Before you remove any of the grill parts for cleaning, make sure that they are cool or use oven gloves.
- **DO NOT** use any abrasive substances on the grill and grill parts.
- **DO NOT** put the side runners in a dishwasher.
- **DO NOT** put the burner heads in a dishwasher.
- **NEVER** use caustic or abrasive cleaners as these will damage the surface.
- **DO NOT** use steel wool, oven cleaning pads or any other materials that will scratch the surface.
- **NEVER** store flammable materials in the drawer. This includes paper, plastic and cloth items, such as cookbooks, plastic ware and towels, as well as flammable liquids.
- **DO NOT** store explosives, such as aerosol cans, on or near the appliance.
- **DO NOT** use steel wool, oven cleaning pads, or any other materials that will scratch the surface.
- **DO NOT** attempt to disassemble or clean around any burner while another burner is on, otherwise an electric shock could result.

2. Cooker Overview

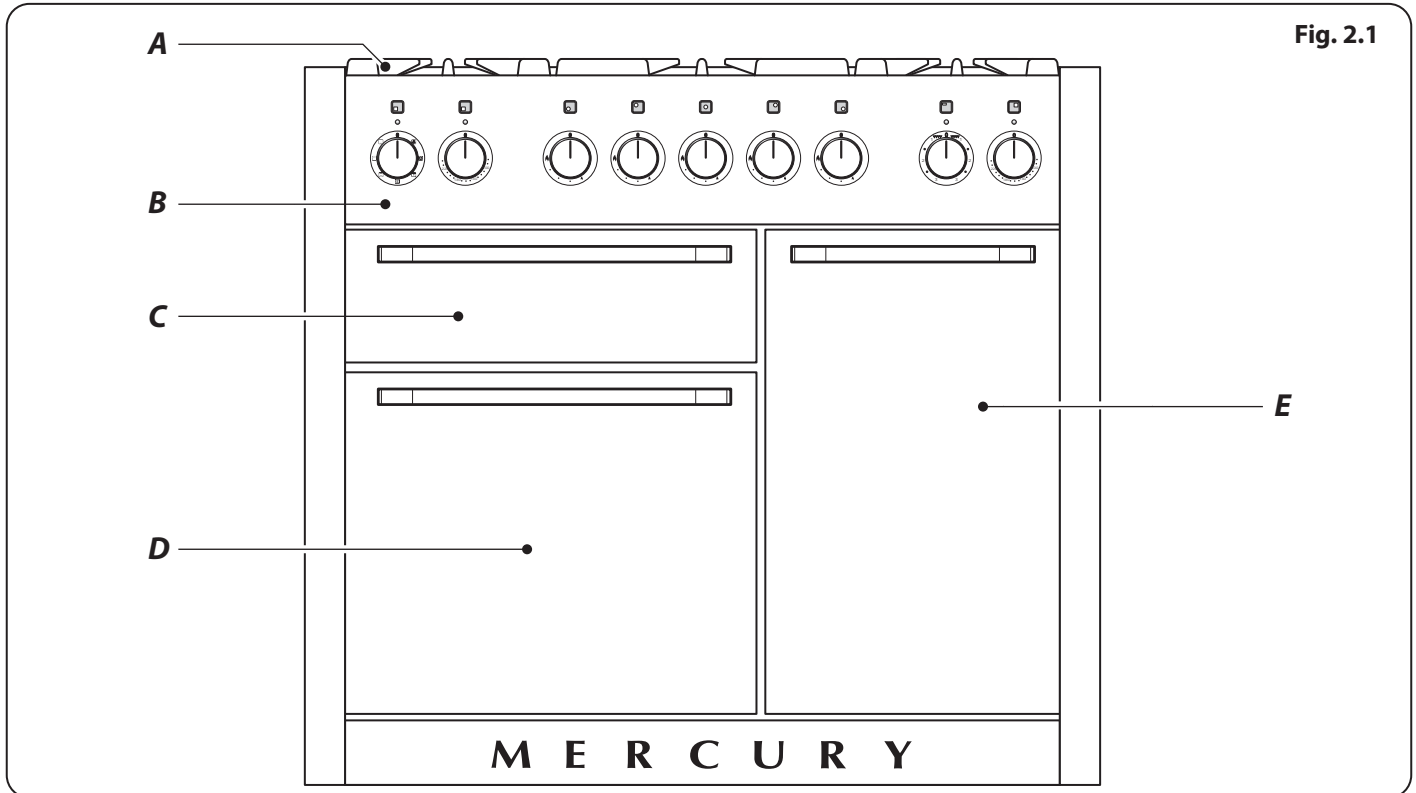


Fig. 2.1

The 1000 dual fuel cooker (Fig. 2.1) has the following features:

- A. 5 hotplate burners including 1 wok burner
- B. A control panel
- C. A glide-out grill
- D. Main multifunction oven
- E. Tall fan oven

Hotplate Burners

The drawing by each of the central knobs indicates which burner that knob controls.

Each burner has a Flame Supervision Device (FSD) that prevents the flow of gas if the flame goes out.

When a hotplate control knob is pressed in, sparks will be made at every burner – this is normal. Do not attempt to disassemble or clean around any burner while another burner is on, otherwise an electric shock could result.

To light a burner, push in the selected burner control knob and turn it to the high position, as indicated by the large flame symbol (🔥) (Fig. 2.2).

The igniter should spark and light the gas. Keep holding the knob pressed in to let the gas through to the burner for about ten seconds.

If, when you let go of the control knob the burner goes out, then the FSD has not been bypassed. Turn the control knob to the OFF position and wait for one minute before you try again, this time making sure to hold in the control knob for slightly longer.

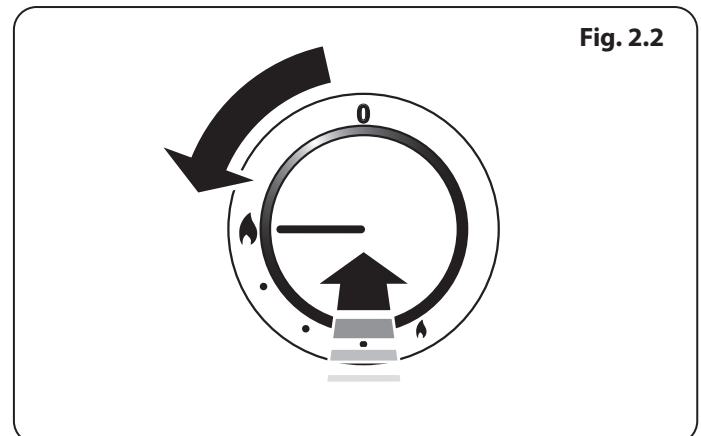
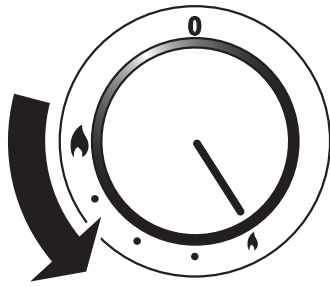


Fig. 2.2

Fig. 2.3



Adjust the flame height to suit by turning the knob counter-clockwise (**Fig. 2.3**). On this cooker the low position is beyond high, **not** between high and off.

If a burner flame goes out, turn off the control knob and leave it for one minute before relighting it.

Make sure that the flames are under the pans. Using a lid will help the contents boil more quickly (**Fig. 2.4**).

Large pans should be spaced well apart.

Pans and kettles with concave bases or down-turned base rims should not be used (**Fig. 2.5**).

Simmering aids, such as asbestos or mesh mats, are NOT recommended (**Fig. 2.6**). They will reduce burner performance and could damage the pan supports.

You should also avoid using unstable and misshapen pans that may tilt easily, and pans with a very small base diameter, e.g. milk pans, single egg poachers (**Fig. 2.7**).

The minimum recommended pan diameter is 160 mm. The maximum allowable pan base diameter is 260 mm.

DO NOT use cooking vessels on the hotplate that overlap the edges.

Fig. 2.4

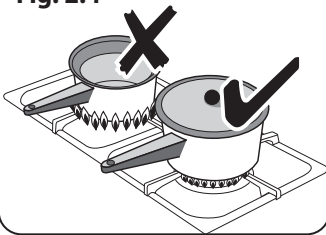


Fig. 2.5

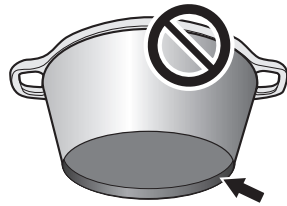


Fig. 2.6

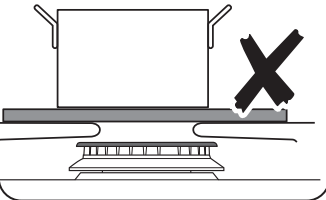
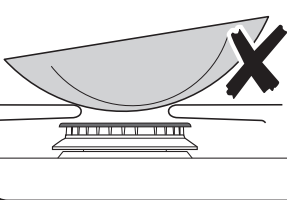


Fig. 2.7



Wok Burner

The wok burner is designed to provide even heat over a large area. They are ideal for large pans and stir-frying (**Fig. 2.8**).

For heating smaller pans, the aforementioned hotplate burners may be more efficient.

You should wipe the enamel top surface of the cooker around the hotplate burners as soon as possible after spills occur. Try to wipe them off while the enamel is still warm.

Note: The use of aluminium pans may cause metallic marking of the pan supports. This does not affect the durability of the enamel and may be cleaned off with an appropriate metal cleaner.

Fig. 2.8

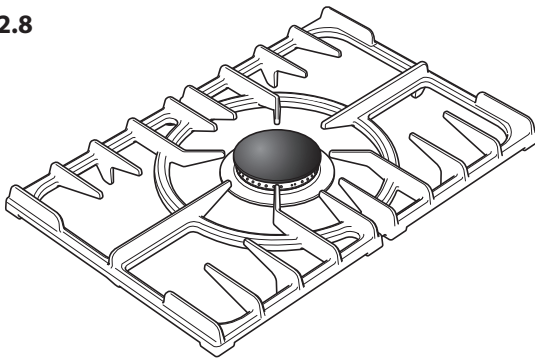
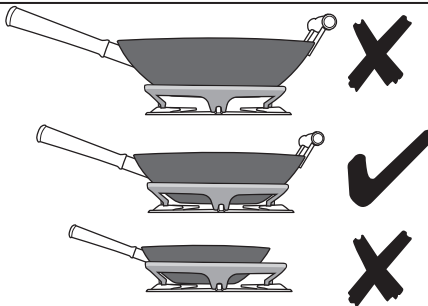


Fig. 2.9



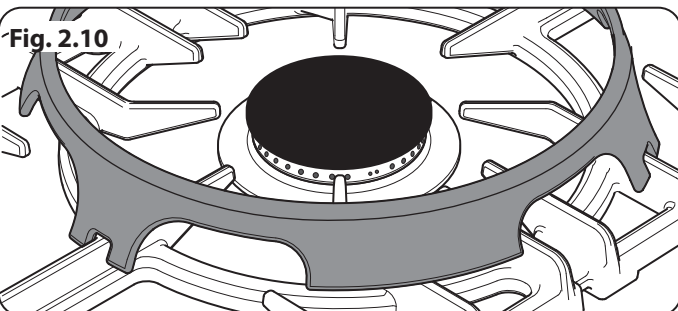
Wok Cradle

The wok cradle is designed to fit a Professional 35 cm wok. If you use a different wok, make sure that it fits the cradle. Woks vary very widely in size and shape. It is important that the wok sits down on the pan support – however, if the wok is too small, the cradle will not support it properly (**Fig. 2.9**).

The cradle should be used on the wok burner only. When you fit the cradle, make sure that it is supported properly on a pan support and the wok is sitting level in the cradle (**Fig. 2.10**).

The cradle will get very hot in use – allow plenty of time for it to cool before you pick it up.

Fig. 2.10



Griddle *(Optional Extra)*

The griddle fits over the left-hand pan supports, front to back (**Fig. 2.11**). It is designed for cooking food on directly. **DO NOT** use pans of any kind on it. The griddle surface is non-stick and metal cooking utensils (e.g. spatulas) will damage the surface. Use heat resistant plastic or wooden utensils.

⚠ DO NOT put it crossways – it will not fit properly and will be unstable (Fig. 2.12).

⚠ DO NOT put it on any other burners – it is not designed to fit in any of the other pan supports.

Position the griddle over the hotplate burners resting on the pan support. Check that it is securely located.

The griddle can be lightly brushed with cooking oil before use. Light the hotplate burners. Adjust the flame heights to suit.

Preheat the griddle for **a maximum of 5 minutes** before adding food. Leaving it longer may cause damage. Turn the control knobs towards the low position, marked with the small flame symbol, to reduce the burner flames.

⚠ Always leave space around the griddle for the gases to escape.

⚠ NEVER fit two griddles side by side.

After cooking, allow the griddle to cool before cleaning.

The Glide-out Grill™ (Fig. 2.13)

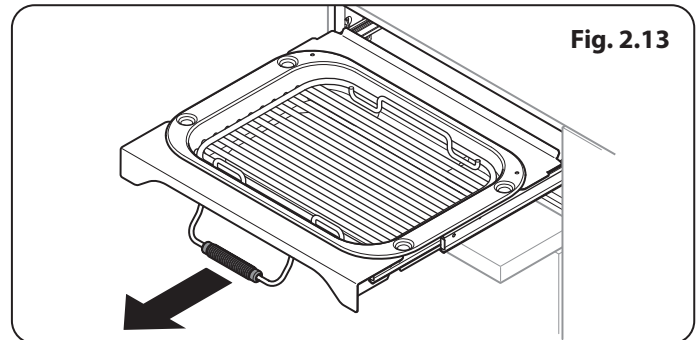
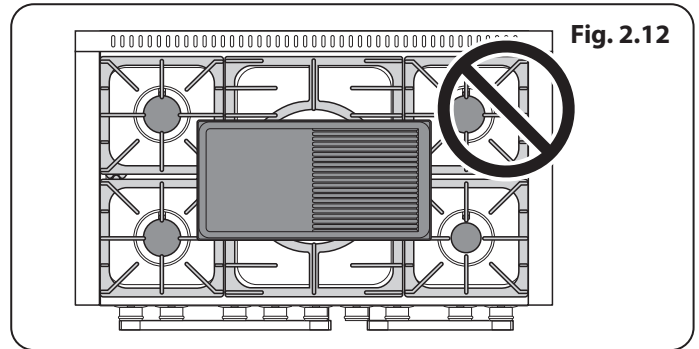
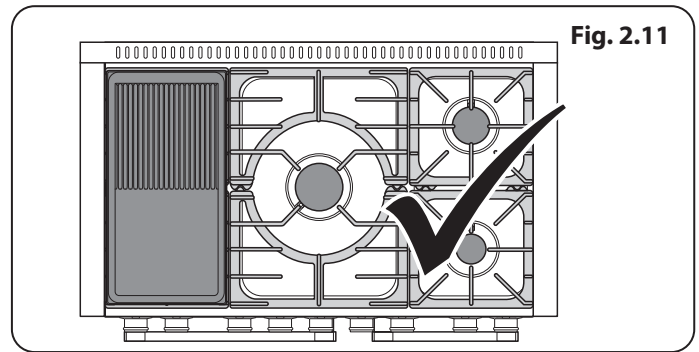
⚠ WARNING: When the trivet has been removed from the grill pan, please ensure that the grill pan and cradle are fully returned into the grill chamber. The grill pan door MUST remain open.

⚠ Accessible parts may be hot when the broiler is in use. Young children should be kept away.

⚠ Never close the grill door when the grill is on.

1. For best results, slide the carriage back into the grill chamber. The grill trivet can be removed and the food placed on it while you are waiting for the grill to preheat.
2. **DO NOT** leave the grill on for more than a few moments without the grill pan underneath it, otherwise the knobs may become hot.
3. Once the grill has preheated, slide the carriage out again. With the trivet back in place with the food on it, slide the carriage back into the grill chamber. Make sure that it is pushed right in.

The grill pan trivet can be turned to give four grilling heights by a combination of turning it back to front and turning it upside down. See chapter **Using the Glide-out Grill™**.



Ovens

References to 'left-hand' and 'right-hand' ovens apply as viewed from the front of the appliance.

The left-hand oven is a multifunction oven, while the right-hand tall oven is a fan oven.

Multifunction Oven

As well as the oven fan and fan element, they are fitted with two extra heating elements, one visible in the top of the oven and the second under the oven base. Take care to avoid touching the top element and element deflector when placing or removing items from the ovens.

The multifunction oven has 3 main cooking functions: **fan**, **fan assisted** and **conventional cooking**. These functions should be used to complete most of your cooking.

The **browning element** and **base heat** can be used in the latter part of the cooking process to fine tune the results to your particular requirements.

Use **fanned grilling** for all your grilling needs and **defrost** to safely thaw small items of frozen food.

Table 2.1 gives a summary of the multifunction modes.

The multifunction ovens have many varied uses. We suggest you keep a careful eye on your cooking until you are familiar with each function. Remember – not all functions will be suitable for all food types.

Please remember that all cookers vary – temperatures in your new ovens may differ to those in your previous cooker.

Multifunction Oven Functions

Defrost



This function operates the fan to circulate cold air only. Make sure the temperature control is at 0°C and that no heat is applied. This enables small items such as desserts, cream cakes and pieces of meat, fish and poultry to be defrosted.

Defrosting in this way speeds up the process and protects the food from flies. Pieces of meat, fish and poultry should be placed on a rack, over a tray to catch any drips. Be sure to wash the rack and tray after defrosting.

Defrost with the oven door closed.

Large items, such as whole chickens and joints should not be defrosted in this way. We recommend this be carried out in a refrigerator.

Defrosting should not be carried out in a warm oven or when an adjoining oven is in use or still warm.

Make sure that dairy foods, meat and poultry are completely defrosted before cooking.

Fan Oven



This function operates the fan and the heating element around it. An even heat is produced throughout the oven, allowing you to cook large

amounts quickly.

Fan oven cooking is particularly suitable for baking on several shelves at one time and is a good 'all-round' function. It may be necessary to reduce the temperature by approximately 10°C for recipes previously cooked in a conventional oven.

If you wish to preheat the oven, wait until the indicator light has gone out before inserting the food.

Fanned Grilling



This function operates the fan whilst the top element is on. It produces a more even, less fierce heat than a conventional grill. For best results, place the food to be grilled, on a grid over a roasting tin, which should be smaller than a conventional grill pan. This allows greater air circulation. Thick pieces of meat or fish are ideal for grilling in this way, as the circulated air reduces the fierceness of the heat from the grill.

The oven door should be kept closed while grilling is in progress, so saving energy.

You will also find that the food needs to be watched and turned less than for normal grilling. Preheat this function before cooking.

For best results we recommend that the grill pan is not located on the uppermost shelf.

Fan Assisted Oven



This function operates the fan, circulating air heated by the elements at the top and the base of the oven. The combination of fan and conventional cooking (top and base heat) makes this function ideal for cooking large items that need thorough cooking, such as a large meat roast.

It is also possible to bake on two shelves at one time, although they will need to be swapped over during the cooking time, as the heat at the top of the oven is greater than at the base, when using this function.

This is a fast intensive form of cooking; keep an eye on the food cooking until you have become accustomed to this function.

Conventional Oven (*Top and Base Heat*)



This function combines the heat from the top and base elements. It is particularly suitable for roasting and baking pastry, cakes and biscuits.

Food cooked on the top shelf will brown and crisp faster than on the lower shelf, because the heat is greater at the top of the oven than at the base, as in 'Fan Assisted Oven' function. Similar items being cooked will need to be swapped around for even cooking. This means that foods requiring different temperatures can be cooked together, using the cooler zone in the lower half of the oven and hotter area to the top.

The exposed top element may cook some foods too quickly, so we recommend that the food be positioned in the lower half of the oven to cook. The oven temperature may also need to be lowered.

Browning Element



This function uses the element in the top of the oven only. It is a useful function for the browning or finishing of pasta dishes, vegetables in sauce, shepherds pie and lasagne, the item to be browned being already hot before switching to the top element.

Base Heat



This function uses the base element only. It will crisp up your pizza or quiche base or finish off cooking the base of a pastry case on a lower shelf. It is also a gentle heat, good for slow cooking of casseroles in the middle of the oven or for plate warming.

The Browning and Base Heat functions are useful additions to your oven, giving you flexibility to finish off items to perfection.

Fan Oven

The right-hand oven is a fan oven that circulates hot air continuously, which means faster, more even cooking.

The recommended cooking temperatures for a fan oven are generally lower than a conventional oven.

Note: Please remember that all cookers vary so temperatures in your new ovens may differ to those in your previous cooker.

Operating the Ovens

Operating the Multifunction Oven

The multifunction oven has two controls: a function selector and a temperature setting knob (**Fig. 2.14**).

Turn the function selector control to a cooking function. **Fig. 2.15** shows the control set for convectional oven cooking.

Turn the oven temperature knob to the temperature required (**Fig. 2.15**).

The oven heating light will glow until the oven has reached the temperature you selected. It will then cycle on and off during cooking as the oven maintains the selected temperature.

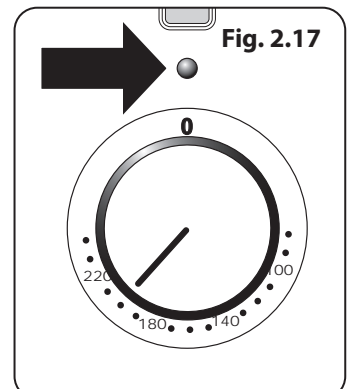
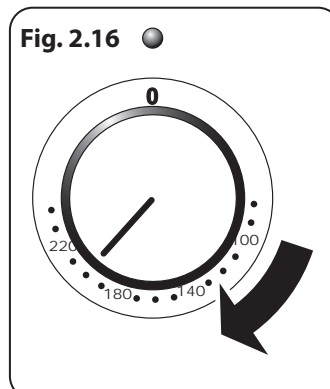
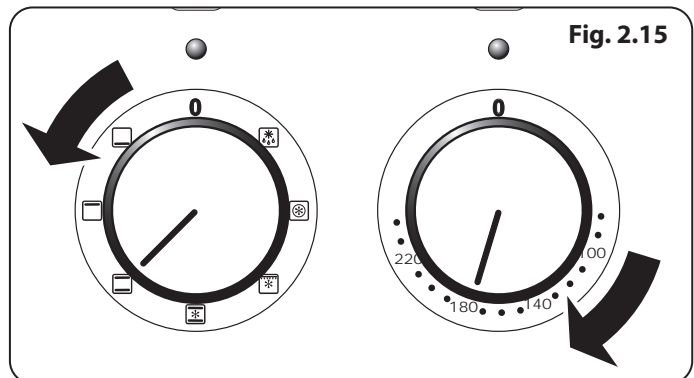
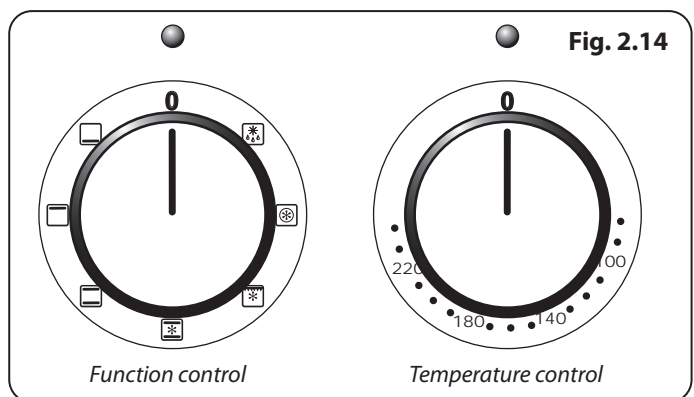
Operating the Fan Oven

Turn the oven knob to the desired temperature (**Fig. 2.16**).

The oven indicator light will glow until the oven has reached the temperature selected. It will then cycle on and off during cooking (**Fig. 2.17**).

Function	Use
Defrost	To thaw small items in the oven without heat
Fan oven	A full cooking function, even heat throughout, great for baking
Fanned grilling	Grilling meat and fish with the door closed
Fan assisted	A full cooking function good for roasting and baking
Conventional oven	A full cooking function for roasting and baking in the lower half of the oven
Browning element	To brown and crisp cheese topped dishes
Base heat	To crisp up the bases of quiche, pizza or pastry

Table 2.1



Accessories

Oven Shelves

The cooker is supplied with the following:

Left-hand Oven

- 1 standard shelf (**Fig. 2.18**)
- 1 drop shelf (**Fig. 2.19**)
- 1 telescopic shelf with runners (**Fig. 2.20**)
- 1 set of side supports (**Fig. 2.21**)

Right-hand Oven

- 4 flat cooking shelves (**Fig. 2.22**)
- 1 plate warming shelf (**Fig. 2.23**)
- 1 set of side supports (**Fig. 2.24**)

To Fit the Telescopic Shelf Runners

With the runner arm in the closed position locate the opening of the upper rear slot onto the side support (**Fig. 2.25**). Do not locate any further than the opening at this point.

Lift the front of the runner arm to locate the front slot against the side support (**Fig. 2.25**).

Push the runner arm towards the rear of the oven. The catch at the front will lift and drop to secure the runner arm in place (**Fig. 2.25**).

To Fit a Shelf to the Telescopic Shelf Runners

Slide the telescopic runners forward until they stop. Holding the shelf above the runners, tilt the front downward and locate into the front of the runners. Lay the shelf flat. Press on the rear of the shelf to secure in place.

To Remove a Shelf from the Telescopic Shelf Runners

Slide the shelf out on the runners. While holding one of the runners securely, carefully lift the rear of the shelf upwards: the shelf will spring clear of the central restraining tab. Repeat for the opposite side of the shelf.

Note: To aid the removal of the shelf you can insert a suitable flat tool through the opening in the side of the runners and lever the shelf clear (**Fig. 2.26**).

Tilt the front of the shelf downwards and then lift clear of the runners (**Fig. 2.27**).

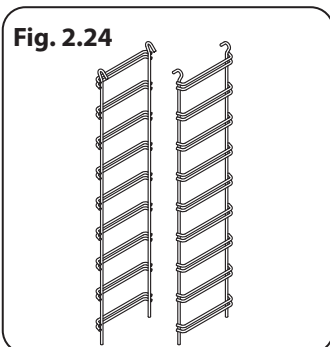
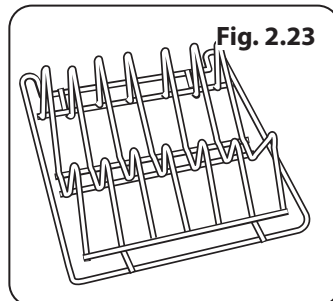
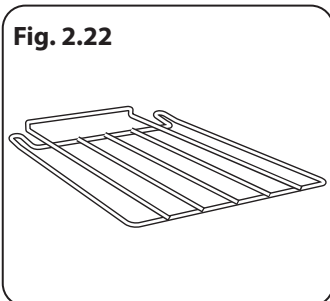
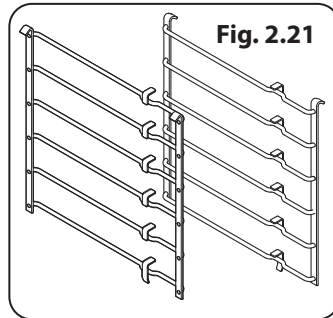
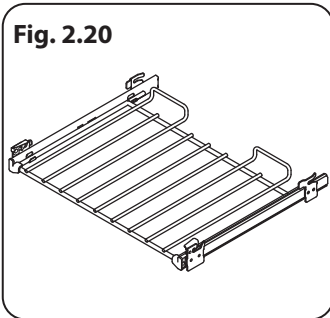
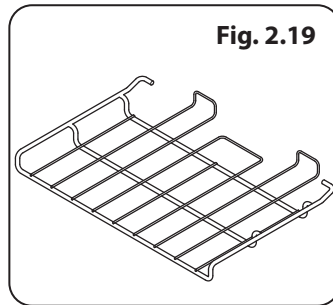
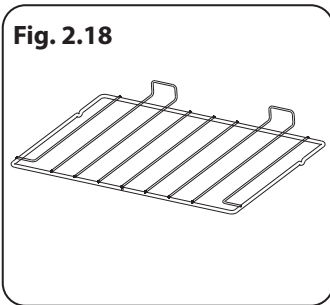
To Remove the Telescopic Shelf Runners

Firstly, remove the shelf as in the 'To Remove a Shelf from the Telescopic Shelf Runners' section.

Place a finger on the underside of the telescopic runner and lift.

Open the catch on top of the runner and pull the runner forward and down to remove.

To Remove and Fit a Shelf to the Side Supports



The shelf has a small kink on either side (**Fig. 2.28**). To remove the shelf, line these up with the stops in the shelf support (**Fig. 2.29**). Lift the rear of the shelf upward so that it will pass over the shelf stop and then pull it forward (**Fig. 2.30**).

Fit in the reverse order, making sure to push it fully back.

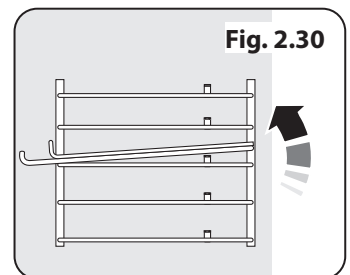
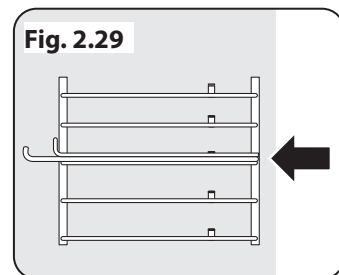
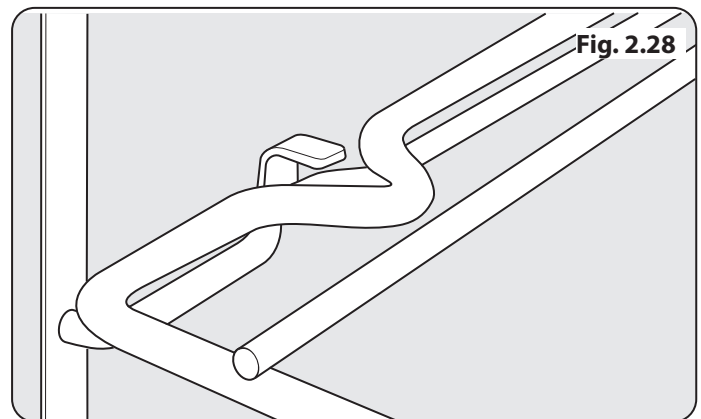
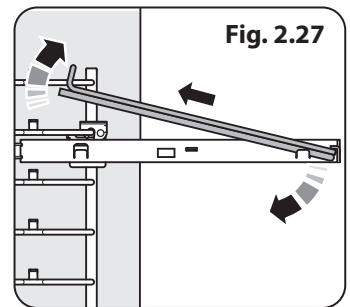
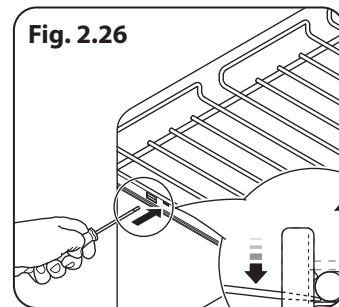
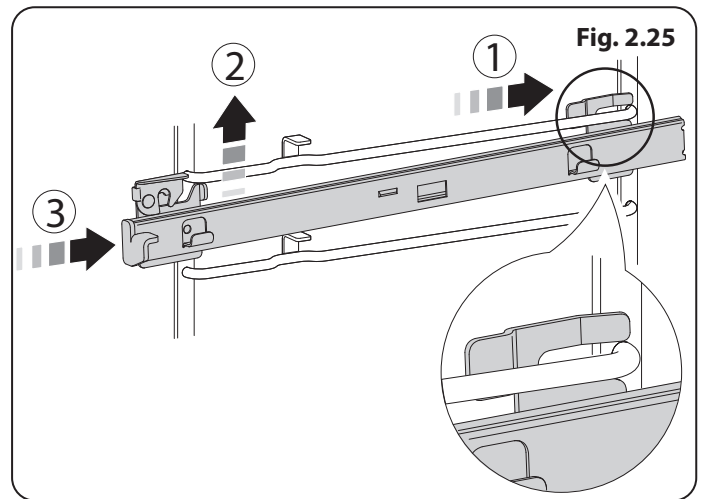
To Remove and Refit the Ladder Shelf Supports

Lift the ladder support hooks out of the two locating holes in the oven side (or divider) before lifting the support clear of the bottom ladder restraint.

Refit by inserting the bottom of the ladder into the restraint before fitting the hooks through the locating holes.

Oven Shelves – Right-hand (Tall) Oven

When using the tall oven, you can cook on all four shelves at the same time, but make sure that they are well spaced out allow the hot air to circulate.



3. Using the Glide-out Grill™

Fig. 3.1

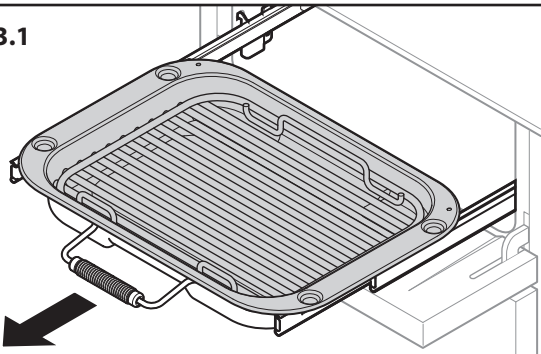
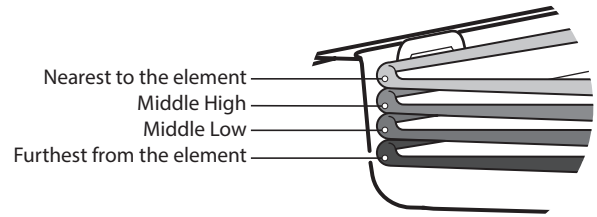
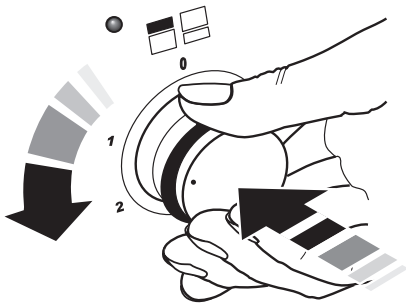


Fig. 3.2



Four grill height positions refer to Fig. 3.5

Fig. 3.3



To switch on the right half element

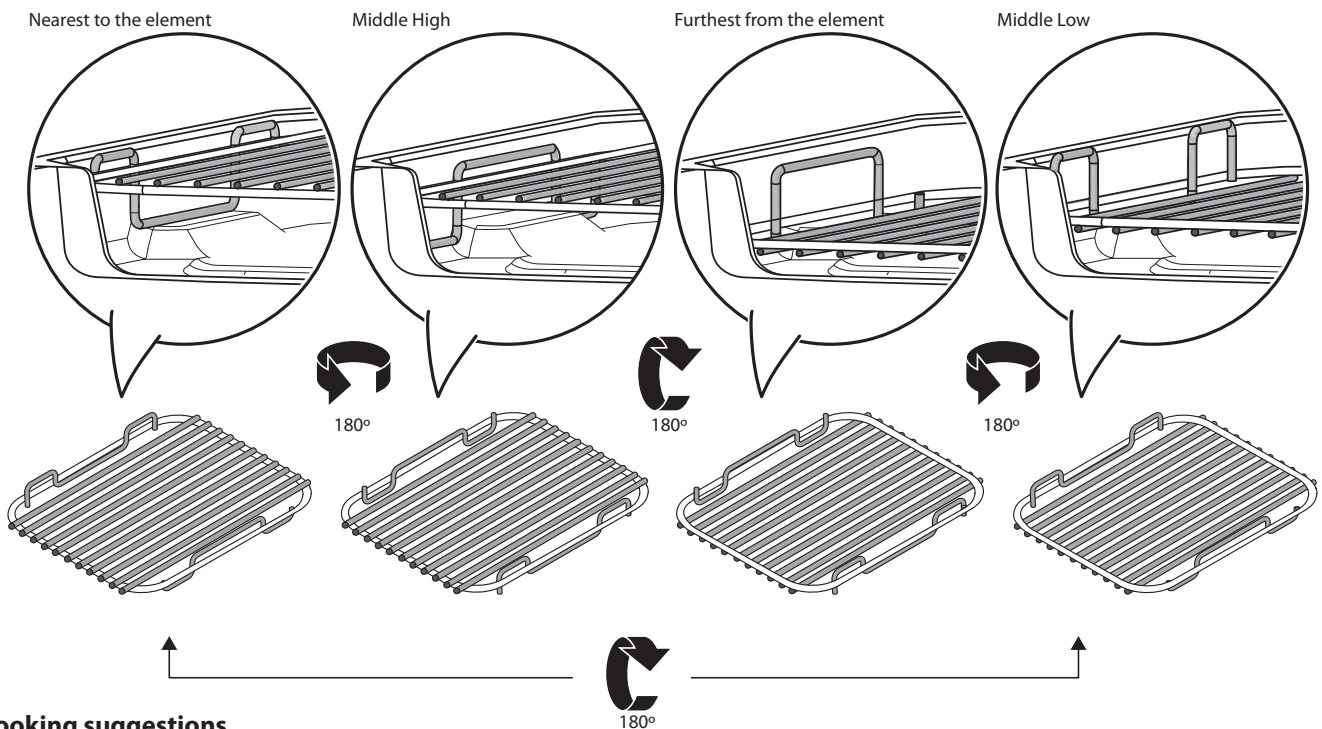
Fig. 3.4



To switch on both elements

Four grill height positions

Fig. 3.5



Cooking suggestions

1. Nearest to the element – Toast, streaky bacon.
2. Middle high – cheese on toast, welsh rarebit, courgette slices, back bacon.
3. Middle low – fish fillets, vegetable skewers.
4. Furthest from the element – whole fish, thick pork chops, chicken breasts, chicken or beef skewers.

NOTE: A short term cooking process has to be supervised continuously.

4. Cooking Tips

Cooking with a Multifunction Oven

Remember: not all modes are suitable for all food types. The oven cooking times given are intended for a guide only.

General Oven Tips

The wire shelves should always be pushed firmly to the back of the oven.

Baking trays with food cooking on them should be placed level with the front edge of the oven's wire shelves. Other containers should be placed centrally. Keep all trays and containers away from the back of the oven, as overbrowning of the food may occur.

For even browning, the maximum recommended size of a baking tray is 340 mm (13 ½") by 340 mm (13 ½") and 232 mm (9 ⅛") by 321 mm (12 ⅝") in the tall oven.

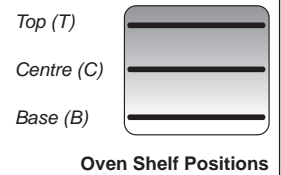
When the oven is on, do not leave the door open for longer than necessary, otherwise the knobs may get very hot.

- Always leave a "finger's width" between dishes on the same shelf. This allows the heat to circulate freely around them.
- To help keep your oven clean, cover meat when roasting, with foil or use a roasting bag.
- To reduce fat splashing when you add vegetables to hot fat around a roast, dry them thoroughly or brush lightly with cooking oil.
- Where dishes may boil and spill over during cooking, place them on a baking tray.
- Sufficient heat rises out of the oven while cooking to warm plates in the grill compartment.
- If you want to brown the base of a pastry dish, preheat the baking tray for 15 minutes before placing the dish in the centre of the tray.

5. Cooking table

The oven control settings and cooking times given in the table below are intended to be used **AS A GUIDE ONLY**. Individual tastes may require the temperature to be altered to provide a preferred result.

Food is cooked at lower temperature in a fan oven than in a conventional oven. When using recipes, reduce the fan oven temperature by 10°C and the cooking time by 5-10 minutes. The temperature in the fan oven does not vary with height in the oven so you can use any shelf.



Food	Conventional Oven	Fan Oven	Approximate Cooking Time	
	Temperature °C (Shelf Position)	Temperature °C		
Meat				
Beef (no bone)	160 (C)	150	30-35 minutes per 500g +30-35 minutes.	<i>Thoroughly thaw frozen joints before cooking. Meat may be roasted at 220°C (210°C for fan oven) and the cooking time adjusted accordingly. For stuffed and rolled meats, add approximately 10 minutes per 500g, or cook at 200°C (190°C) for 20 minutes then 160°C (150°C) for the remainder.</i>
	200 (C)	190	20-25 minutes per 500g +20-25 minutes.	
Lamb	160 (C)	150	30-35 minutes per 500g +30-35 minutes.	
	200 (C)	190	25-30 minutes per 500g +25-30 minutes.	
Pork	160 (C)	150	35-40 minutes per 500g +35-40 minutes.	
	200 (C)	190	25-30 minutes per 500g +25-30 minutes.	
Poultry				
Chicken	160 (C)	150	20-25 minutes per 500g +20-25 minutes.	<i>For stuffed poultry, you could cook at 200°C (190°C) for 20 minutes then 160°C (150°C) for remainder. Do not forget to include the weight of the stuffing.</i>
	200 (C)	190	15-20 minutes per 500g +15-20 minutes.	
Turkey	160 (C)	150	20 minutes per 500g +20 minutes.	
	200 (C)	190	15 minutes per 500g +15 minutes.	
Duck	160 (C)	150	25-30 minutes per 500g.	<i>For fresh or frozen prepacked poultry, follow instructions on the pack. Thoroughly thaw frozen poultry before cooking.</i>
	200 (C)	190	20 minutes per 500g.	
Casserole	140-150 (C)	130-140	2-4 hours according to recipe.	
Yorkshire Pudding	220 (C)	210	Large tins 30-35 minutes; individual 10-20 minutes.	
Cake				
Very rich fruit - Christmas, wedding, etc.	140 (C/B)	130	45-50 minutes per 500g of mixture.	<i>Using the conventional oven: when two tier cooking leave at least one runner space between shelves. Position the baking tray with the front edge along the front of the oven shelf.</i>
Fruit 180 mm tin	150 (C/B)	140	2-2½ hours.	
Fruit 230 mm tin	150 (C/B)	140	Up to 3½ hours.	
Madeira 180 mm	160 (C/B)	150	80-90 minutes.	
Small cakes	170 (C/B)	160	15-25 minutes.	
Scones	200 (C/B)	190	10-15 minutes.	
Victoria sandwich				
180 mm tin	170 (C/B)	160	20-30 minutes.	<i>Up to three tiers can be cooked in a fan oven at the same time but make sure to leave at least one runner space between each shelf being cooked on.</i>
210 mm tin	170 (C/B)	160	30-40 minutes.	
Desserts				
Shortcrust tarts	200 (C/B)	190	20-30 minutes on a preheated tray.	<i>Using the conventional oven: for even browning the maximum size of baking tray recommended is 340 mm x 340 mm. This ensures free heat circulation.</i>
Fruit pies	180 (C/B)	170	35-45 minutes.	
Tartlets	180 (C/B)	170	10-20 minutes according to size.	
Puff pastry	210 (C/B)	200	20-40 minutes according to size.	
Meringues	100 (C/B)	90	2-3 hours.	<i>If cooking a two tier load, the trays should be interchanged approximately halfway through the cooking time.</i>
Baked egg custard	160 (C/B)	150	45-60 minutes.	
Baked sponge pudding	180 (C/B)	170	40-45 minutes.	
Milk pudding	140-150 (C/B)	130-140	2 to 3 hours.	
Bread	210 (C)	200	20-30 minutes.	
Fish				
	Fanned Grilling			
Fillet	190 (C/B)	190 (C/B)	15-20 minutes.	
Whole	190 (C/B)	190 (C/B)	15-20 minutes per 500g.	
Steak	190 (C/B)	190 (C/B)	Steaks according to thickness.	

6. Cleaning Your Cooker

Fig. 6.1

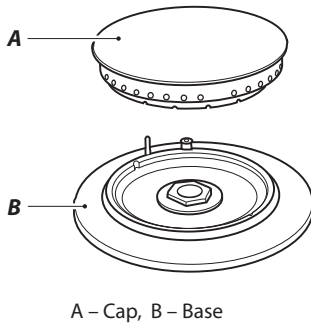


Fig. 6.2

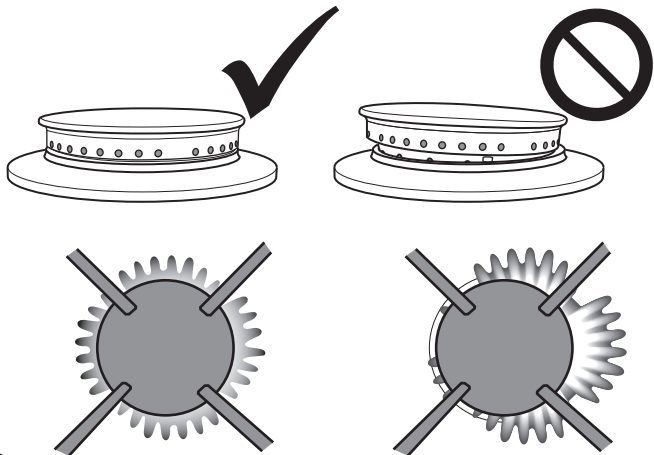
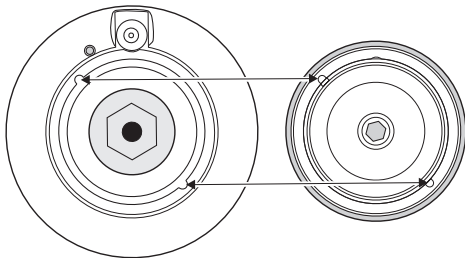


Fig. 6.3



Essential Information

Isolate the electricity supply before carrying out any thorough cleaning. Allow the cooker to cool.

⚠ NEVER use paint solvents, washing soda, caustic cleaners, biological powders, bleach, chlorine based bleach cleaners, coarse abrasives or salt.

⚠ DO NOT mix different cleaning products – they may react together with hazardous results.

All parts of the cooker can be cleaned with hot soapy water – **but take care that no surplus water seeps into the appliance.**

Remember to switch on the electricity supply before re-using the cooker.

Daily Care

Cleaning the cooker is not a welcomed chore, but it has to be done to maintain efficiency and appearance. Remember it is better to wipe up any spills as they occur, this will prevent them burning on and becoming more difficult to remove later.

⚠ Make sure the flow of combustion and ventilation air to the cooker is unobstructed – for example by build-up of fats or grease.

On Natural Gas the burners flames should be a bluish colour with, at most, a slight yellowish fringe.

On LP gas the flames may be “softer”. The cooktop burner flames may have a slight yellowish tip.

If the flame burns with a long white tip you should call for service.

Cleaning for Spills

For spills and boil-overs that occur while cooking, as soon as possible turn off the burner and allow to cool. Do not clean until the area is completely cooled down. Wipe up spills as soon as possible.

Do not allow surplus water to seep into the cooker.

Hotplate Burners

The burner heads and caps can be removed for cleaning. Make sure they are absolutely dry before replacing (**Fig. 6.1**).

When replacing a burner head, make sure that it locates properly within the base (**Fig. 6.2**). If you look at the bottom of the burner head you will see two ‘pips’ – these fit into the two notches in the burner base (**Fig. 6.3**).

Check the burner ports are not blocked. If a blockage occurs, remove stubborn particles using a piece of fuse wire.

Stainless Steel Main Top

Lift away pots or pans from the main top. Remove grates from spillage area and carefully place in a sink of warm soapy water.

Wipe loose debris from main top. Avoid using any abrasive cleaners including cream cleaners. For best results use a liquid detergent cleaner.

Rinse with cold water and thoroughly dry with a clean, soft cloth. Ensure all parts are dry before repositioning.

Griddle *(Optional Extra)*

Always clean the griddle after use. Allow to cool completely before removing. Immerse the griddle plate in hot soapy water. Use a soft cloth or, for stubborn stains, a nylon washing up brush.

Note: If the griddle is washed in a dishwasher then some dishwasher residue may appear on the back. This is normal and will not affect the performance of your griddle.

Glide-out Grill™

⚠ Before you remove any of the grill parts for cleaning, make sure that they are cool, or use oven gloves.

Wash the grill pan, trivet and grill tray in hot soapy water. Alternatively, wash the grill pan in a dishwasher.

After grilling meats or any foods that soil, leave to soak for a few minutes in the sink immediately after use. Stubborn particles may be removed from the grid by using a nylon brush.

To remove the grill pan pull the tray assembly forwards (**Fig. 6.4**) and then lift the grill pan clear of the grill tray assembly (**Fig. 6.5**).

For safety, push the grill tray back into the grill chamber.

If you need to remove the telescopic runners to allow cleaning of the grill chamber, first remove the grill tray then you can unhook them from the grill chamber sides (**Fig. 6.6**).

Wipe the sides clean with a soft cloth and mild detergent.

DO NOT put the side runners in a dishwasher.

Once you have finished, hook the side rails back onto the sides of the chamber. Pull the telescopic rails out and fit the grill tray onto them, making sure to locate the cut-outs onto the telescopic runner tabs (**Fig. 6.7**).

Replace the grill pan.

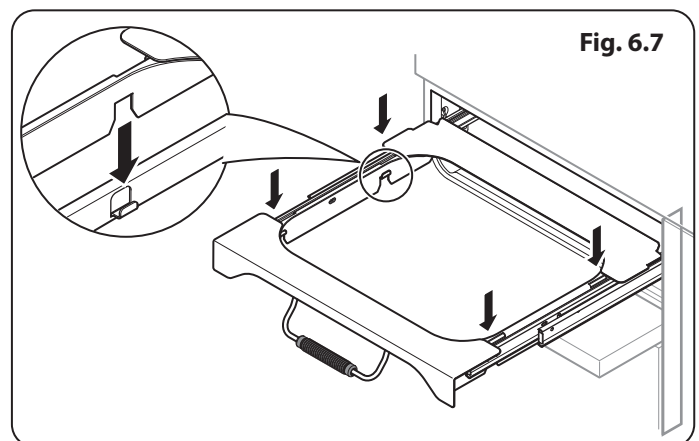
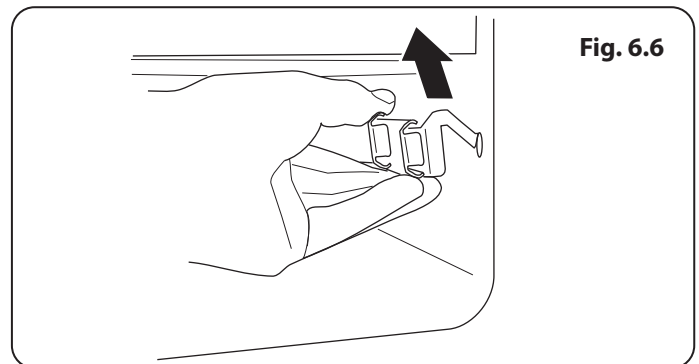
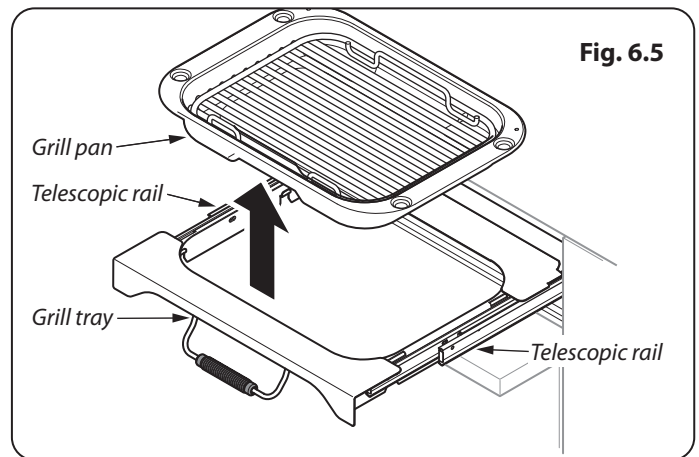
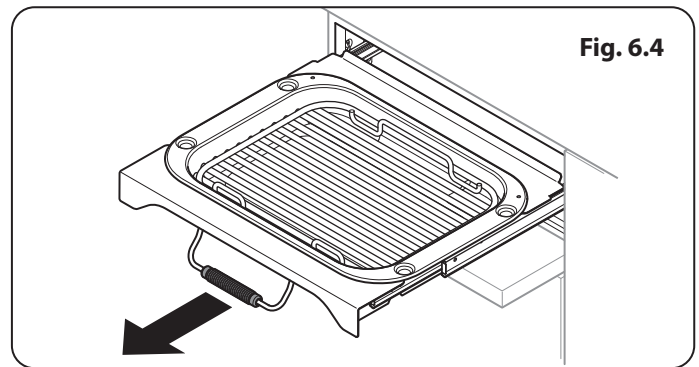


Fig. 6.8

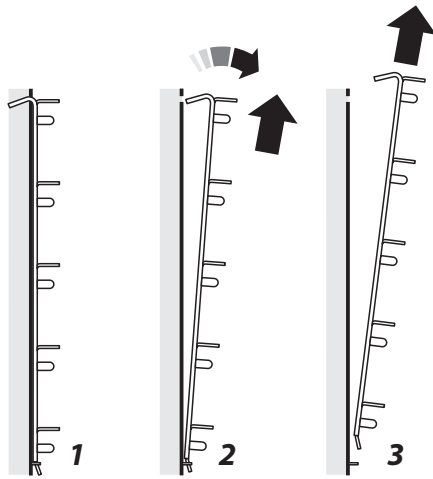


Fig. 6.9

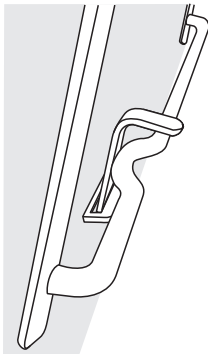
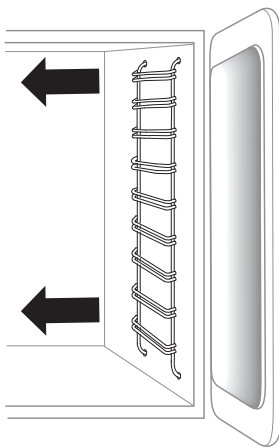


Fig. 6.10



Control Panel and Oven Doors

Avoid using any abrasive cleaners including cream cleaners. For best results, use a liquid detergent.

The control panel and control knobs should only be cleaned with a soft cloth wrung out in clean hot soapy water – but take care that no surplus water seeps into the appliance. Wipe with a clean dampened cloth then polish with a dry cloth.

The oven doors should only be cleaned with a soft cloth wrung out in clean hot soapy water.

Ovens

'Cook & Clean' Panels

The ovens have side 'Cook & Clean' panels which have been coated with a special enamel that partly cleans itself. This does not stop all marks on the lining, but helps to reduce the amount of manual cleaning needed.

These panels work better above 200 °C. If you do most of your cooking below this temperature, occasionally remove the panels and wipe with a lint free cloth and hot soapy water. The panels should then be dried and replaced and the oven heated at 200 °C for about one hour. This will make sure that the panels are working effectively.

⚠ DO NOT use steel wool (or any other materials that will scratch the surface).

⚠ DO NOT use oven cleaning pads.

The Oven Shelf Supports

The shelf supports on the oven sides can be removed for cleaning.

Removing the Oven Shelf Supports

Remove the oven shelves: Pull the top of the shelf support up and away from the oven side and then lift the support away from the locating bracket at the bottom of the oven side (**Fig. 6.8**).

Refitting the Oven Shelf Supports

To refit the side support: Locate the tag at the bottom of the support into the slot in the locating bracket in the oven side (**Fig. 6.9**). Now locate the tops of the side arms in the holes at the top and gently push down.

Tall Oven

To clean the oven sides, slide out the shelves, unhook the supports from the oven sides and lift out (**Fig. 6.10**).

Cleaning Table

Cleaners listed (**Table 6.1**) are available from supermarkets or electrical retailers as stated.

For enamelled surfaces use a cleaner that is approved for use on vitreous enamel.

Regular cleaning is recommended. For easier cleaning, wipe up any spillages immediately.

Hotplate		
Part	Finish	Recommended Cleaning Method
Hob top	Enamel or stainless steel	Hot soapy water, soft cloth. Any stubborn stains remove gently with a nylon scourer.
Ceramic/induction hob	Toughened glass	Hot soapy water; cream cleaner/scourer if necessary.
Griddle plate (some models only)	Non-stick surface	Allow to cool. Wash in hot soapy water. Do not use abrasive cleaners/scourers. Dishwasher.
Warming zone (some models only)	Toughened glass	Hot soapy water, cream cleaner/scourer if necessary.
Outside of Cooker		
Part	Finish	Recommended Cleaning Method
Door, door surround and storage drawer exterior	Enamel or paint	Hot soapy water, soft cloth. Any stubborn stains, remove gently with a liquid detergent.
	Stainless steel	E-cloth or microfibre all purpose cloth (supermarket).
Sides and plinth	Painted surface	Hot soapy water, soft cloth.
Splashback/rear grille	Enamel or stainless steel	Hot soapy water, soft cloth. Cream cleaner, with care, if necessary.
Control panel	Paint, enamel or stainless steel	Warm soapy water. Do not use abrasive cleaners on lettering.
Control knobs/handles & trims	Plastic/chrome, aluminium, copper or lacquered brass	Warm soapy water, soft cloth.
	Brass	Brass polish.
Oven door glass/glass lid	Toughened glass	Hot soapy water, cream cleaner/scourer if necessary.
Oven and Grill		
Part	Finish	Recommended Cleaning Method
Sides, floor & roof of oven NOT 'COOK & CLEAN' OVEN PANELS (see below)	Enamel	Any proprietary oven cleaner that is suitable for enamel. CAUTION: CORROSIVE/CAUSTIC OVEN CLEANERS: FOLLOW MANUFACTURER'S INSTRUCTIONS. Do not allow contact with the oven elements.
'Cook & Clean' oven panels (some models only)	Special enamel that partly cleans itself	This surface cleans itself at 200 °C and above, or the panels can be removed and washed with hot soapy water and a nylon brush.
Oven shelves, Handyrack, grill trivet, Handygrill rack	Chrome	An oven interior cleaner that is suitable for chrome. Soap filled pad. Dishwasher.
Grill pan/meat tin (some models only)	Enamel	Hot soapy water. Soap filled pad. Dishwasher.

Table 6.1

7. Troubleshooting

Hotplate/Cooktop ignition or hotplate burners faulty

Is the power on? If not, there maybe something wrong with the power supply.

Are the sparker (ignition electrode) or burner slots blocked by debris? See (Fig. 7.1 and Fig. 7.2).

Are the burner trim and caps correctly located? See the section on 'Cleaning'.

Hotplate/Cooktop burners will not light

Make sure that the burner parts have been replaced correctly after wiping or removing for cleaning.

Check that there is not a problem with your gas supply. You can do this by making sure that other gas appliances you may have are working.

Do the burners spark when you push the button?

If not, verify that the power is on by checking that the clock is illuminated.

Steam is coming from the oven

When cooking foods with high water content (e.g. oven fries) there may be some steam visible at the rear grille.

Take care when opening the oven door, as there may be a momentary puff of steam when the oven door is opened. Stand well back and allow any steam to disperse.

What cleaning materials are recommended for the cooker?

See the 'Cleaning' section for recommended cleaning materials.

⚠ Never use caustic or abrasive cleaners as these will damage the surface.

An oven fan is noisy

The note of the oven fan may change as the oven heats up – this is perfectly normal.

If there is an installation problem and I don't get my original installer to come back to fix it who pays?

You do. Service organizations will charge for their call outs if they are correcting work carried out by your original installer. It is in your interest to track down your original installer.

Power failure

In the event of a failure in the electrical supply, remember to reset the clock to make sure that the timed oven continues to operate.

Food is cooking too slowly, too quickly, or burning

Cooking times may differ from your previous oven.

Check that you are using the recommended temperatures and shelf positions – see the oven cooking guide. The oven control settings and cooking times are intended to be used only as a guide.

Individual tastes may require the temperature to be altered either way, to get the results you want.

The oven is not cooking evenly

DO NOT use a baking tray with dimensions larger than those specified in the section on 'General Oven Tips'.

If you are cooking a large item, be prepared to turn it round during cooking.

If two shelves are used, check that space has been left for the heat to circulate. When a baking tray is put into the oven, make sure that it is placed centrally on the shelf.

Check that the door seal is not damaged and that the door catch is adjusted so that the door is held firmly against the seal.

A dish of water when placed on the shelf should be the same depth all over. (For example, if it is deeper at the back, then the back of the cooker should be raised up or the front lowered.) If the cooker is not level, arrange for your supplier to level it for you.

Oven not coming on

Is the power on? If not, there may be something wrong with the power supply.

Is the cooker supply on at the isolator switch?

Oven temperature getting hotter as the cooker gets older

If turning the temperature down using the oven control knob has not worked, or has only worked for a short time, then you may need a new thermostat. This should be fitted by a qualified service person.

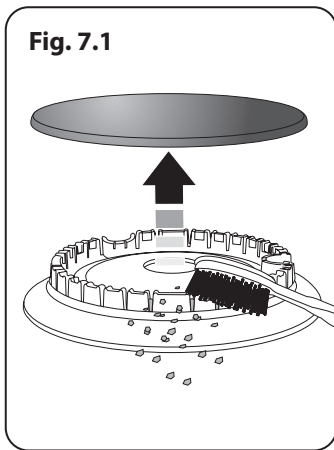


Fig. 7.1

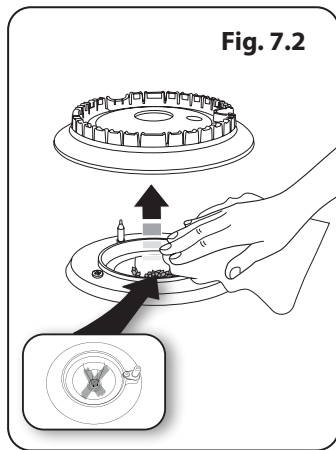


Fig. 7.2

The left-hand oven door is misaligned

The bottom hinge of the left-hand oven door can be adjusted to alter its angle (**Fig. 7.3**).

Loosen the bottom hinge fixing screws and use the notch and a flat bladed screwdriver to move the position of the hinge to set the hinge position (**Fig. 7.4**).

Retighten the hinge screws.

NOTE: The tall oven door cannot be adjusted

The fascia gets hot when I use the oven or grill

The cooker is cooled by a fan. If the fascia becomes excessively hot when the cooker is in use then the cooling fan may have failed. Should this occur please contact your installer, a qualified repair engineer or Customer Service to arrange for its repair.

The knobs get hot when I use the oven or the grill. Can I avoid this?

Yes, this is caused by heat rising from the oven or the grill, and heating them up. **DO NOT** leave the oven door open.

Make sure that the grill pan is pushed right back to the 'back stop' when grilling.

Always grill with the grill compartment door open.

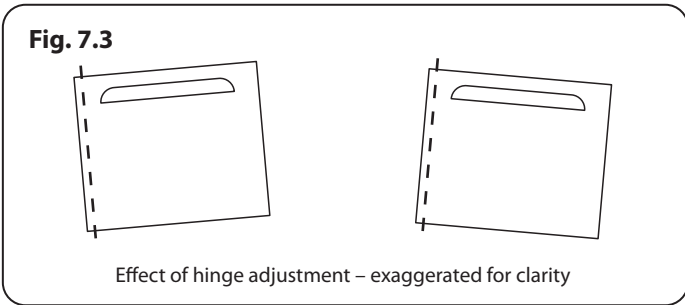


Fig. 7.3

Effect of hinge adjustment – exaggerated for clarity

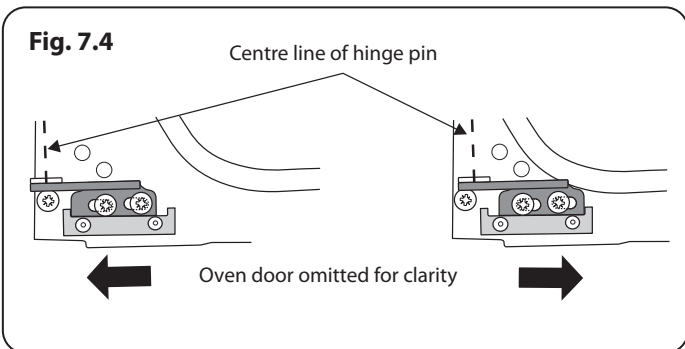


Fig. 7.4

Oven door omitted for clarity

INSTALLATION

Check the appliance is electrically safe when you have finished.

8. Installation









Dear Installer

Before you start your installation, please complete the details below, so that, if your customer has a problem relating to your installation, they will be able to contact you easily.

Installer's Name
Installer's Company
Installer's Telephone Number
Appliance Serial Number

Safety Requirements and Regulations

You must be aware of the following safety requirements & regulations.

-  **This cooker must be installed in accordance with the relevant instructions in this booklet, with the relevant national and local regulations, and with the local electricity supply companies' requirements.**
-  **The appliance must be installed in accordance with the regulations in force and only in a well-ventilated space.**
-  **Read the instructions before installing or using this appliance.**
-  **This appliance is designed for domestic cooking only. Use for any other purpose could invalidate any warranty or liability claim.**
-  **This cooker is a Class 2 subclass 1 appliance.**
-  **Before installation, make sure that the cooker is suitable for your gas type and supply voltage. See the data badge.**
-  **This appliance can be converted for use on another gas.**
-  **In your own interest and that of safety, it is law that all gas appliances be installed by competent persons. Failure to install the appliance correctly could invalidate any warranty or liability claims and lead to prosecution.**

In the UK the cooker must be installed in accordance with:

- All relevant British Standards / Codes of Practice, in particular BS 5440 Part 2.
- For Natural Gas – BS 6172 and BS 6891.
- For LP Gas – BS 5482-1 (when the installation is in a permanent dwelling), BS 5482-2 (when the installation is in a caravan or other non- permanent dwelling), or BS 5482-3 (when the installation is in a boat).
- The Gas Safety (Installation and Use) regulations.
- The relevant Building / IET regulations.

In the Republic of Ireland the cooker must be installed in accordance with:

The installation must be carried out by a competent person and installed in accordance with the current edition of IS 813 "Domestic Gas Installations", the current Building Regulations and reference should be made to the current ETCI rules for electrical installation.

Provision of Ventilation

This appliance is not connected to a combustion products evacuation device. Therefore, particular attention must be given to the relevant requirements regarding ventilation.

All rooms require a window that can be opened, or equivalent, while some rooms require a permanent vent in addition to the window.

In the UK:

The room containing the cooker should have an air supply in accordance with BS 5440 Part 2. All rooms require an openable window or equivalent, while some rooms require a permanent vent in addition to the openable window. The cooker should not be installed in a bedsitting room with volume less than 20 m³. If it is installed in a room of volume less than 5 m³ an air vent of effective area 100 cm² is required; if it is installed in a room of volume between 5 m³ and 10 m³, an air vent of effective area 50 cm² is required; while if the volume exceeds 11 m³, no air vent is required.

If there are other fuel burning appliances in the same room, BS 5440 Part 2 should be consulted to determine the requisite air vent requirements.

In the Republic of Ireland:

Reference should be made to the current edition of IS 813, which makes clear the conditions that must be met to demonstrate that sufficient ventilation is available.

INSTALLATION

Check the appliance is electrically safe when you have finished.

Location of Cooker

The cooker may be installed in a kitchen/kitchen diner but **NOT** in a room containing a bath or shower.

This appliance is designed for domestic cooking only. Use for any other purpose could invalidate any warranty or liability claim.

Note: An appliance for use on LPG must not be installed in a room or internal space below ground level, e.g. in a basement.

Conversion

This appliance is supplied set for G20 20 mbar Cat II_{2H3+}.

A conversion kit for another gas is available for the cooker.

If the appliance is to be converted to another gas we recommend that this is carried out before installation.

⚠ We recommend an overpressure shut-off device or pressure relief valve be used in any LPG installation to prevent exposure of downstream fittings / appliances to excessive pressure (over 75mbar) in event of regulator failure.

After converting the appliance, please attach the Gas Conversion sticker over the appropriate area of the data badge – this will identify the gas type for which the appliance is now set.

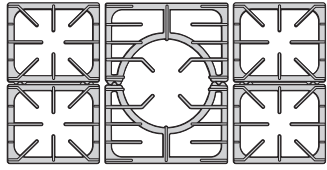
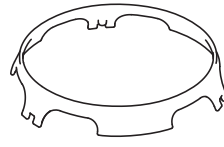
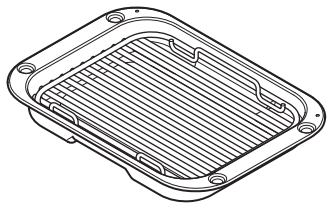
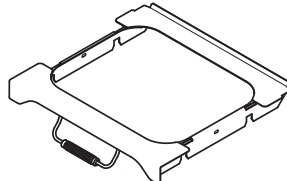
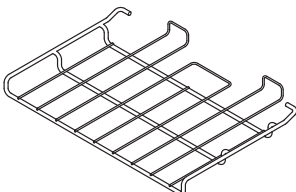
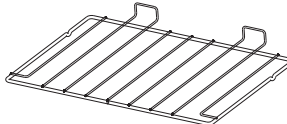
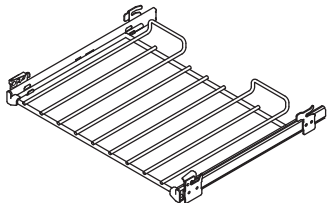
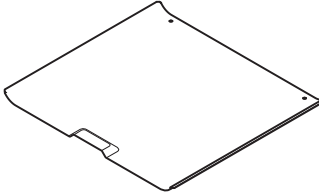

You will need the following equipment to complete the cooker installation satisfactorily:

- Stability bracket: If the cooker is to be supplied with gas through a flexible hose, a stability bracket or chain must be fitted. **These are not supplied with the cooker but are available at most builders' merchants.**
- Gas pressure tester/manometer.
- Flexible gas hose: Must be in accordance with the relevant standards.
- Multimeter (for electrical checks).

You will also need the following tools:

1. Steel tape measure
2. Cross-head screwdriver
3. Flat head screwdriver
4. Spirit level
5. 13 mm spanner or socket wrench
6. 8 mm socket wrench or ring spanner

Checking the Parts:

5 pan supports	Wok cradle
	
Grill pan & trivet	Grill pan cradle
	
1 drop shelf	1 flat shelves
	
1 telescopic shelf	Oven Base Tray
	
Tall oven shelves & supports	
	

Positioning the Cooker

Fig. 8.1 and **Fig. 8.2** shows the minimum recommended distance from the cooker to nearby surfaces.

The cooker should not be placed on a base.

Above hotplate surround should be level with, or above, any adjacent work surface.

A gap of 33 mm should be left between each side of the cooker **ABOVE** the hotplate level and any adjacent vertical surface.

For non-combustible surfaces (such as unpainted metal or ceramic tiles) this gap is not required.

A minimum space of 800 mm is required between the top of the hotplate and a horizontal combustible surface.

*Any cookerhood should be installed in accordance with the hood manufacturer's instructions.

**Any splashback must be fitted in accordance with the manufacturers instructions. Allowance should be made for the additional height of the flue trim, which is fitted to the cooker hob.

Surfaces of furniture and walls at the sides and rear of the appliance should be heat, splash and steam resistant. Certain types of vinyl or laminate kitchen furniture are particularly prone to heat damage and discolouration.

We cannot accept responsibility for damage caused by normal use of the cooker to any material that de-laminates or discolours at temperatures less than 65 °C above room temperature.

We recommend a gap of 1000 mm between units to allow for moving the cooker. Do not box the cooker in – it must be possible to move the cooker in and out for cleaning and servicing.

A clearance of 90 mm is required if the cooker is near a corner of the kitchen to allow the oven doors to open (**Fig. 8.3**). The actual opening of the doors is slightly less but this allows for some protection of your hand as you open the door.

Moving the Cooker

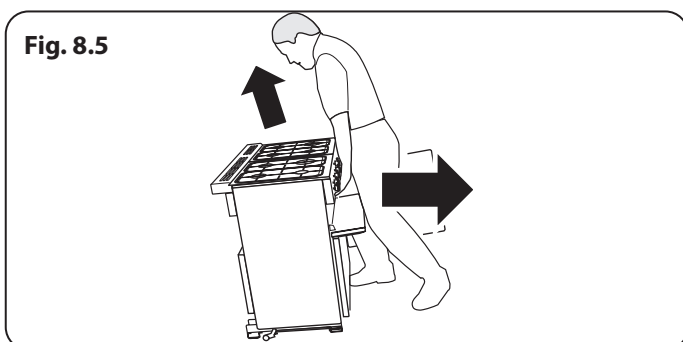
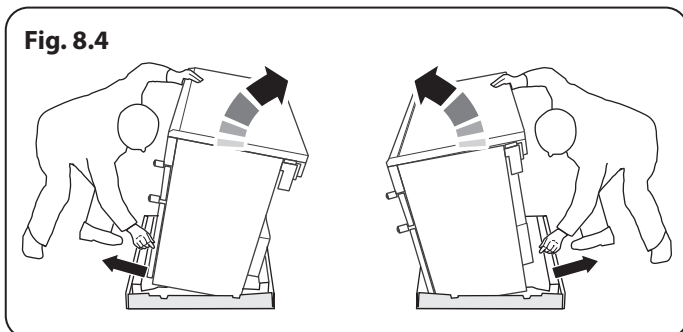
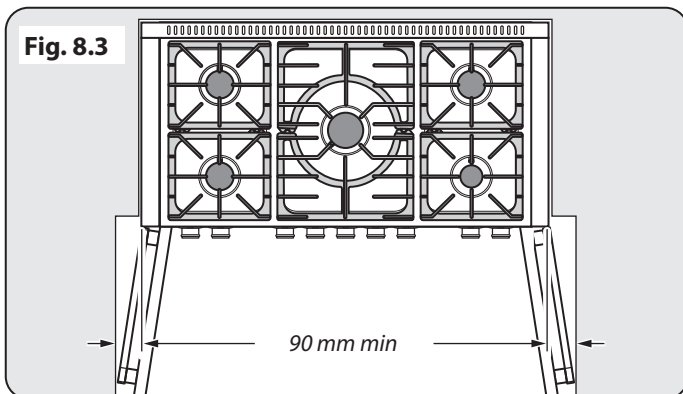
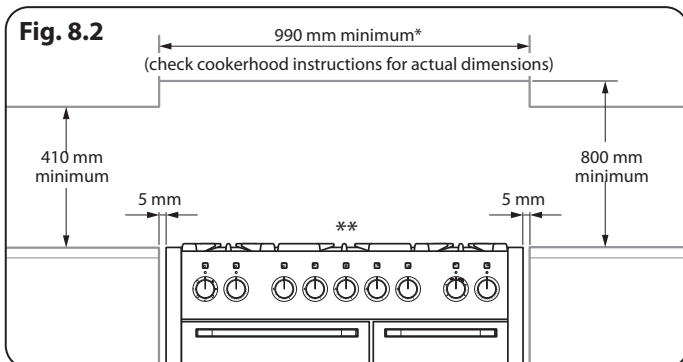
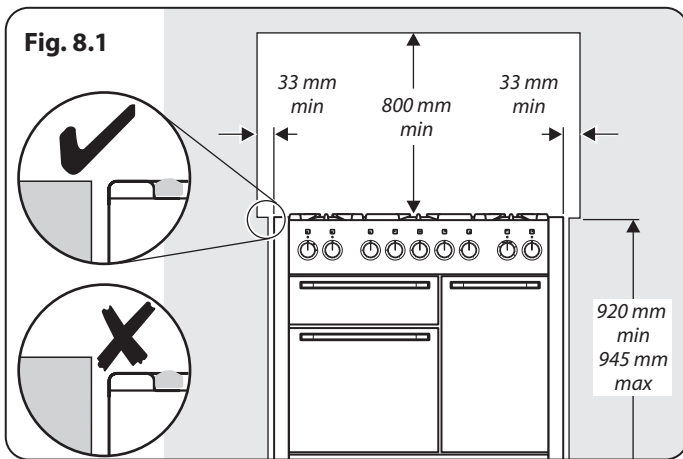
⚠ On no account try and move the cooker while it is plugged into the electricity supply.

⚠ The cooker is very heavy, so take great care.

We recommend that two people manoeuvre the cooker. Make sure that the floor covering is firmly fixed, or removed, to prevent it being disturbed when moving the cooker around.

To help you, there are two levelling rollers at the back, and two screw-down levelling feet at the front.

Remove the polystyrene base pack. From the front, tilt the cooker forward and remove the front half of the polystyrene base (**Fig. 8.5**). Repeat from the back and remove the rear half of the polystyrene base.

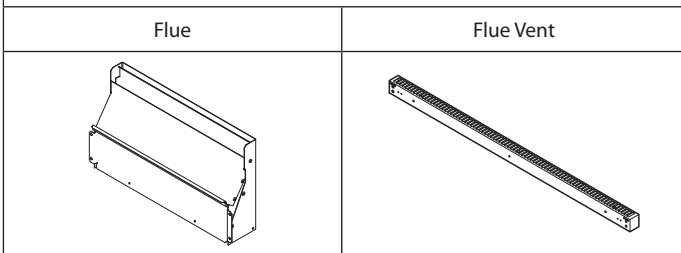


INSTALLATION

Check the appliance is electrically safe when you have finished.

9. Fitting the Flue, Flue Vent and Side Panels

Checking the Parts:



Fitting the Flue

1. Remove the four screws from the grill flue opening (**Fig. 9.1**).
2. Present the removable flue up to grill flue opening. Make sure that the bottom flange of the removable flue fits inside the fixed flue, secure in place with the four screws (**Fig. 9.1** and **Fig. 9.2**).
3. Once the flue is fitted, using the two screws supplied, secure the bottom of the flue (**Fig. 9.2**).

Fitting the Flue Vent

1. Loosen the three screws in the back of the hotplate (**Fig. 9.3**).
2. Fit the flue vent over the screws and slide down (**Fig. 9.3**). Tighten the screws to secure.

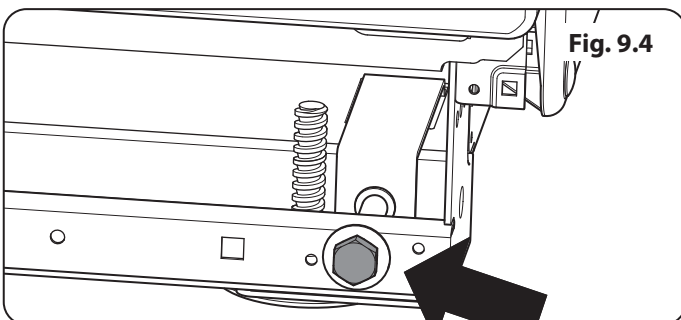
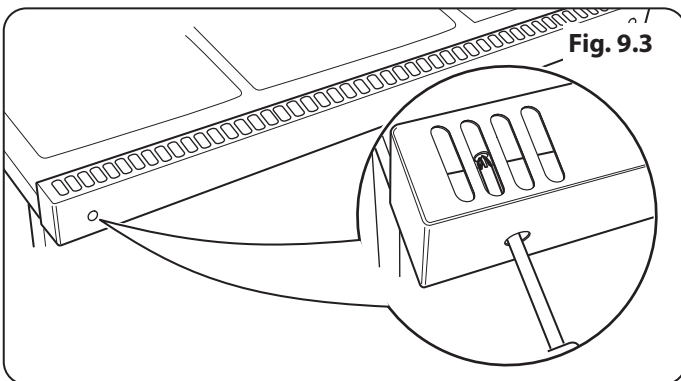
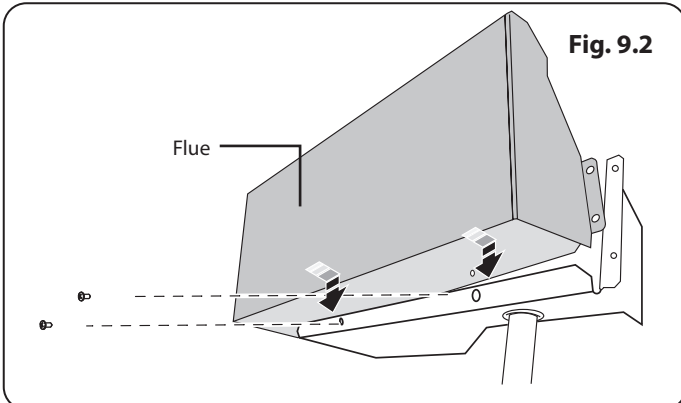
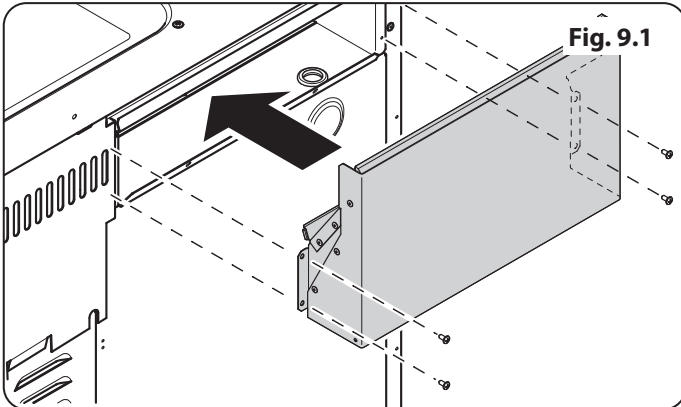
⚠ Before fitting the side panels, it is recommended that the required height of the cooker is set. This will simplify the Side Panels fitting procedure.

Setting the height

You are recommended to use a spirit level on the hotplate to check the cooker is level.

The front feet and rear rollers can be adjusted to level the cooker (**Fig. 9.4**).

1. To adjust the height of the rear of the cooker, fit a 13 mm spanner or socket wrench onto the hexagonal adjusting nut.
2. Rotate the nut – clockwise to raise – counter-clockwise to lower. Make sure to lower **BOTH REAR ROLLERS**.
3. To set the front turn the feet bases to raise or lower.



INSTALLATION

Check the appliance is electrically safe when you have finished.

Fitting the Side Panel Rear Retaining Brackets

1. Located at the bottom left and right rear corner of the cooker, remove the two screws (**Fig. 9.5**).
2. Fit the left and right retaining brackets to the base frame and refit and tighten the screws (**Fig. 9.5**).

Checking the Parts:

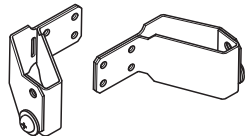
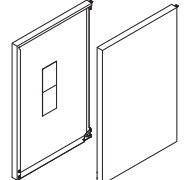
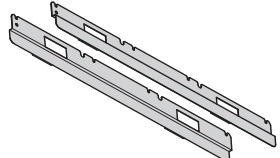
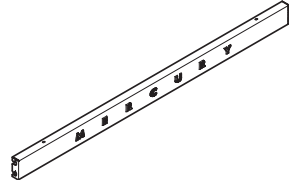
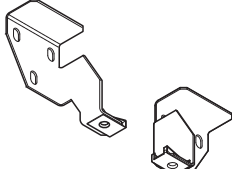
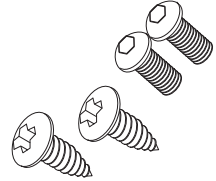
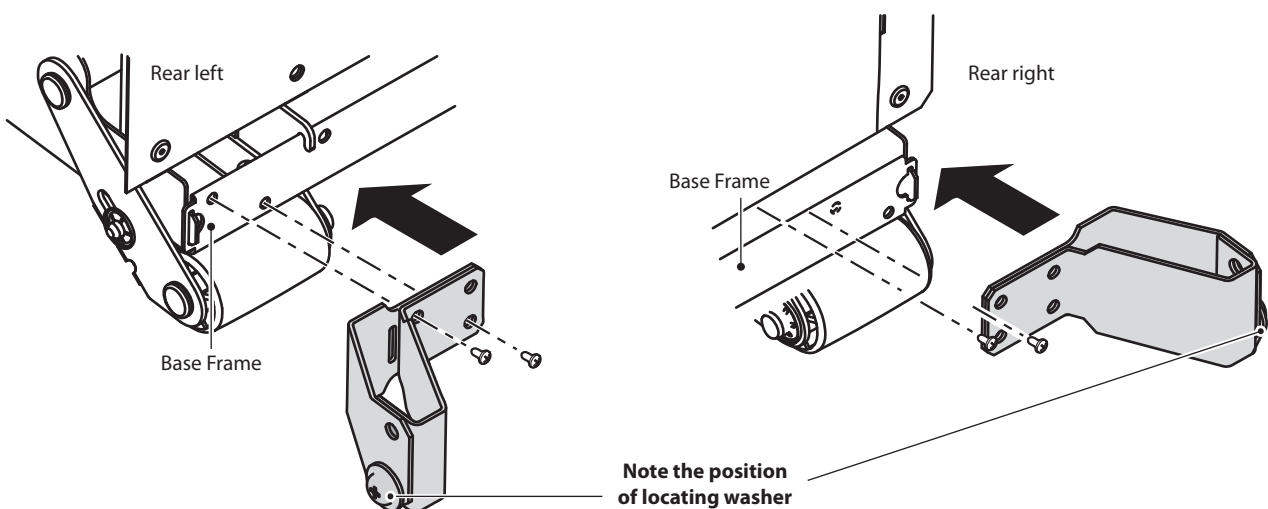
Side panel rear retaining brackets A052064 - Right-hand A052067 - Left-hand	Side panels A051761 - Right-hand A051759 - Left-hand
	
Obscuring Trim Side Panel x2 Q050718	Bottom Panel (Plinth) Colour matched to cooker
	
Bottom Panel (Plinth) Front Mounting Brackets Q050877 - Left-hand Q050878 - Right-hand	Screws supplied 2x Machine Screw 2x Self-Tapping Screw
	

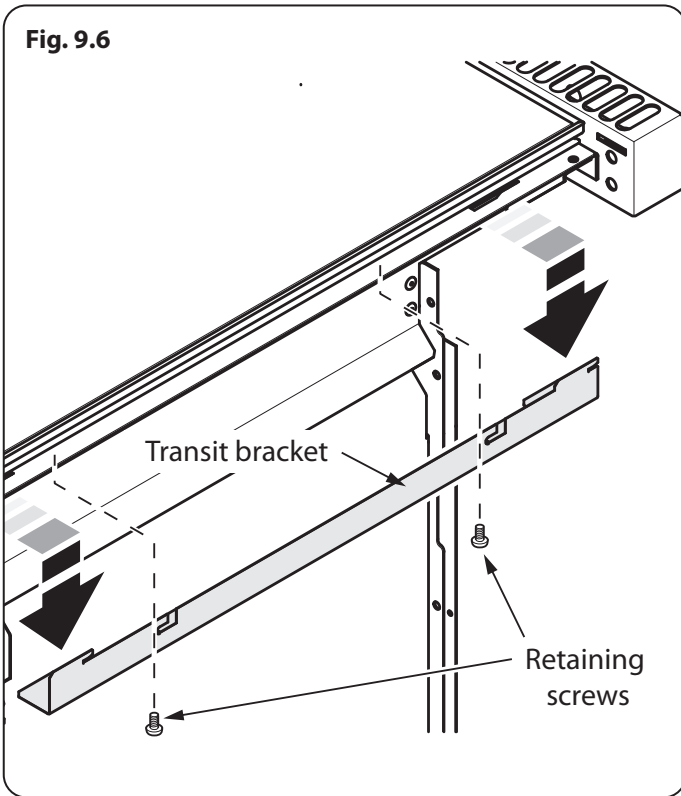
Fig. 9.5



INSTALLATION

Check the appliance is electrically safe when you have finished.

Fig. 9.6



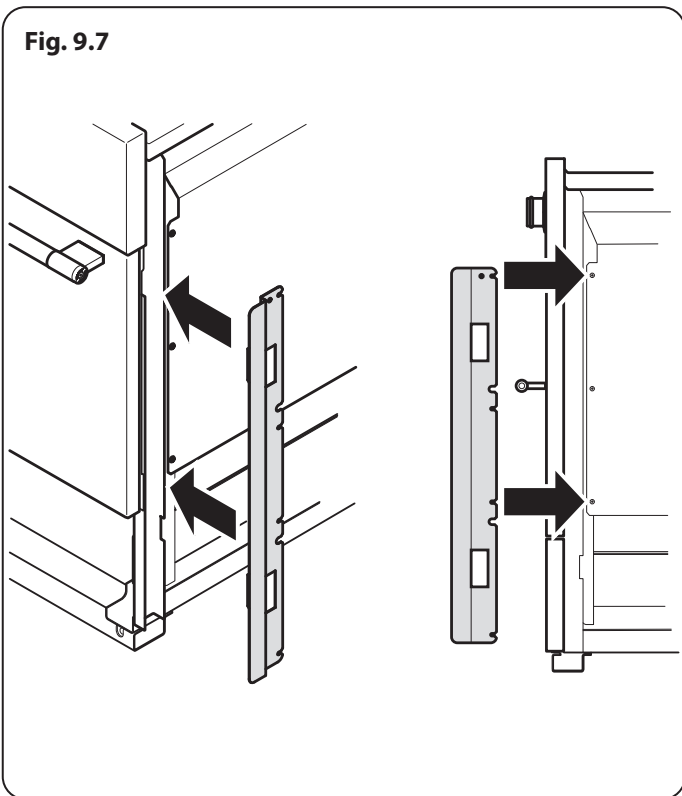
Remove the Transit Brackets

1. Loosen the two screws in the underside of the transit bracket (**Fig. 9.6**).
2. Slide the bracket forwards and remove. Discard the Transit Bracket.

Fitting the Obscuring Trims

1. Located near the front on each side of the cooker there are three screws. Loosen the top and bottom screws (**Fig. 9.7**).
2. Slide the trim onto the screws and tighten to secure.

Fig. 9.7

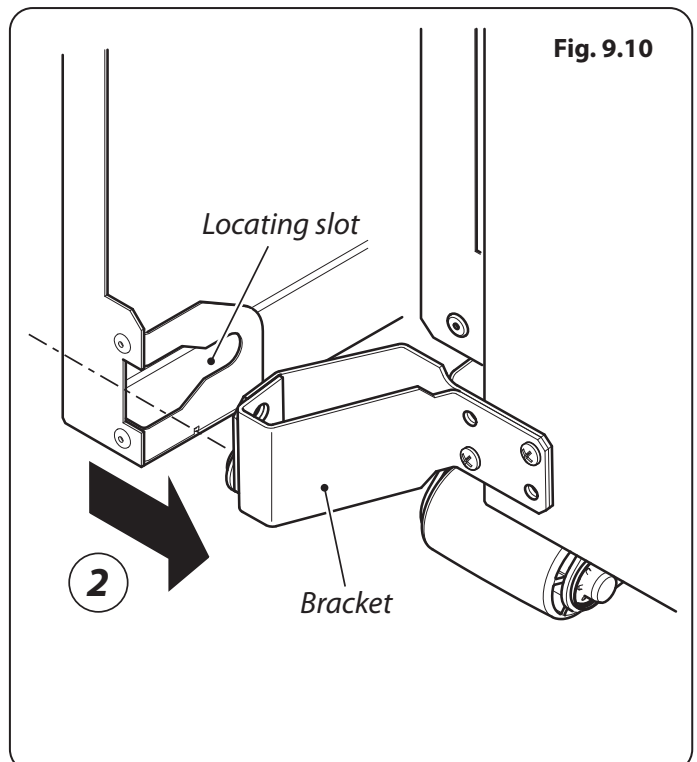
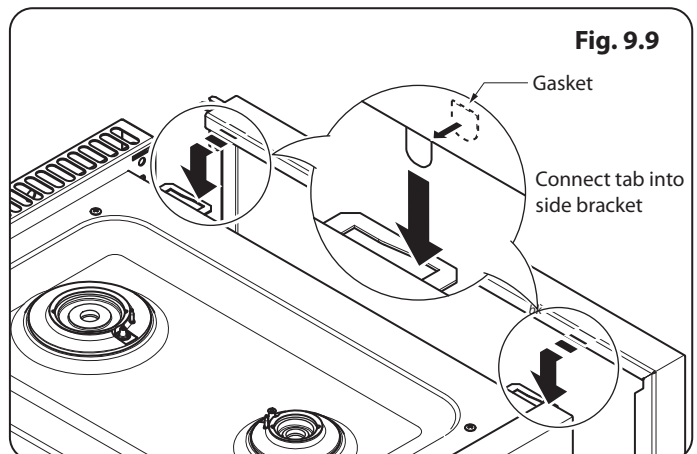
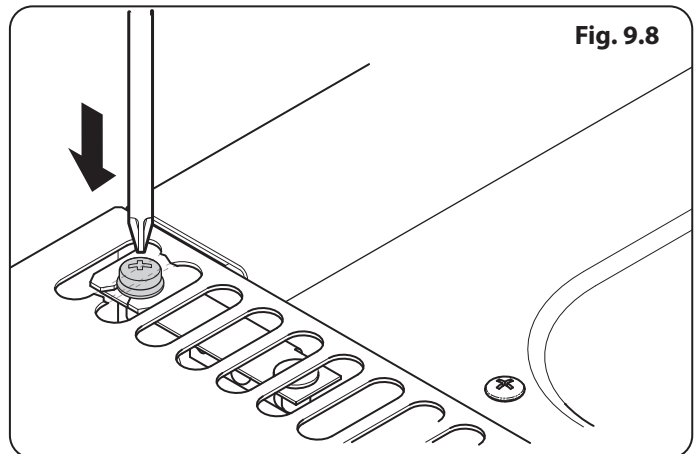


INSTALLATION

Check the appliance is electrically safe when you have finished.

Fitting the Side Panels

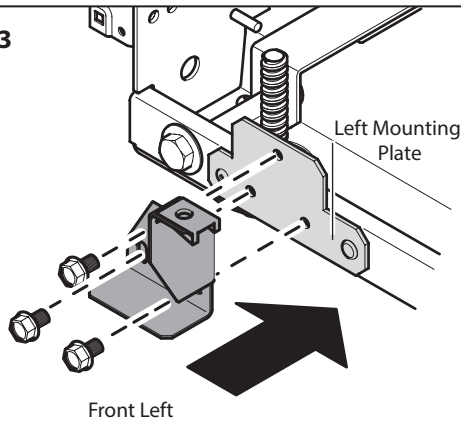
1. Loosen the screw in the flue vent (**Fig. 9.8**).
2. Inside the top of the side panel top are two tabs. Connect these tabs into the cut-outs in the top edge of the cooker (**Fig. 9.9**).
3. Slide the side panel back so that the **side panel bracket** in the base connects to the **rear retaining washer** and the slotted tab at the top rear connects onto the screw in the flue vent (**Fig. 9.10**).
4. Check everything is firmly connected and tighten the screw in the flue vent to secure the side panel in position (**Fig. 9.8**).
5. **Note:** If a side panel is loose, fit one of the extra gaskets to the inner face of the front bracket locating tabs (**Fig. 9.9**) and refit.
6. **Note:** The bottom front of the side panels will be loose. These are secured once the bottom panel (plinth) is fitted.



INSTALLATION

Check the appliance is electrically safe when you have finished.

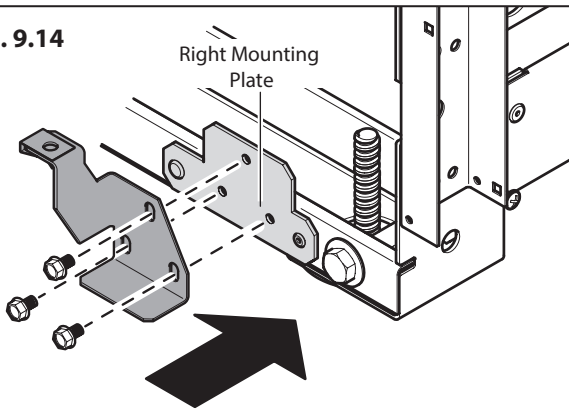
Fig. 9.13



Fitting the Front Mounting Brackets

1. Open the left and right-hand oven door
2. On the front of the cooker base there are two mounting plates. Remove the three fixing screws from each plate (**Fig. 9.13** and **Fig. 9.14**).
3. Fit the left and right-hand front mounting brackets as shown in (**Fig. 9.13** and **Fig. 9.14**). **DO NOT** over tighten the mounting screws at this stage.

Fig. 9.14



Fitting the Bottom Panel (Plinth)

1. Tilt the bottom of the panel slightly to locate the lower slots onto the washers (**Fig. 9.11**). Now rotate the panel to fit over the pins (**Fig. 9.12**).
2. Using the two screws and allen key supplied, loosely fit the bottom panel onto the mounting brackets (**Fig. 9.16**). **DO NOT** tighten at this stage.
3. Adjust the bottom panel to set the gap between the side panels and doors equally (**Fig. 9.15**). When it is positioned correctly, use a suitable flat open-ended spanner to tighten the bracket screws, and then tighten the bottom panel screws (**Fig. 9.16**) with the allen key provided.

Fig. 9.11

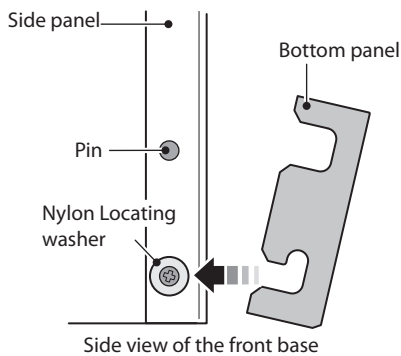
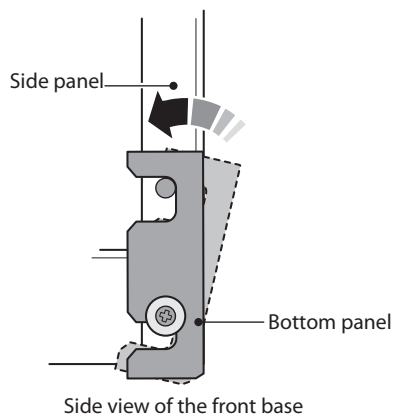


Fig. 9.12



INSTALLATION

Check the appliance is electrically safe when you have finished.

Completing the Move

Open the grill door and right-hand oven door so that you can get a good grip on the bottom of the fascia panel as you move the oven (**Fig. 9.17**).

Carefully push the cooker backwards off the pack base. Remove the pack base tray.

Position the cooker close to its final position, leaving just enough space to get behind it.

⚠ Do not use the door handles or control knobs to manoeuvre the cooker.

Final Checks

Hotplate Check

Check each burner in turn (refer to the 'Hotplate Burners' section at the front of the instructions).

Grill Check

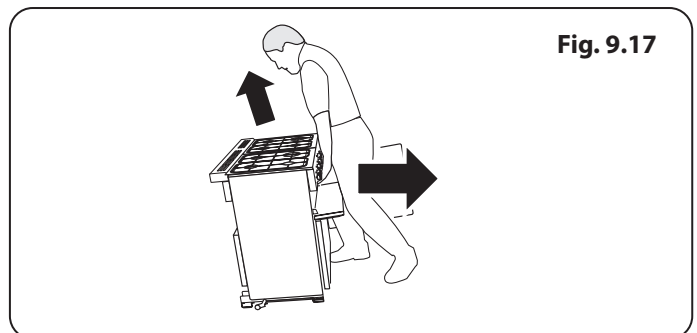
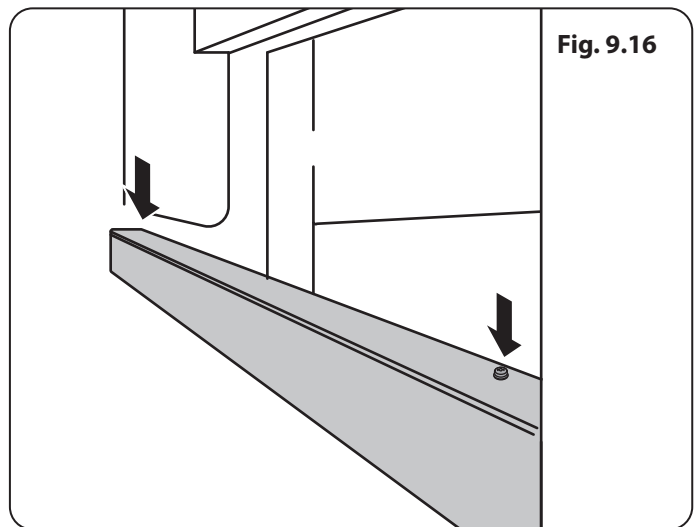
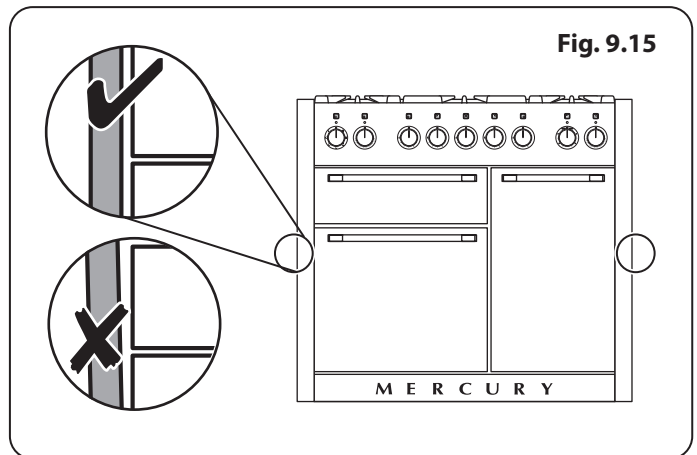
Turn on the grill control and check that the grill heats up.

Oven Check

Turn on the ovens – check that the oven fans start to turn and that the ovens start to heat up.

Customer Care

Installer: Please complete your details in this guide, inform the user how to operate the cooker and hand over the instructions.



INSTALLATION

Check the appliance is electrically safe when you have finished.

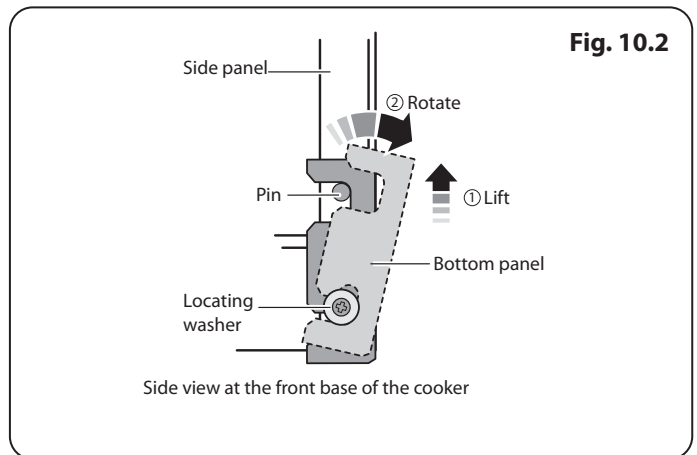
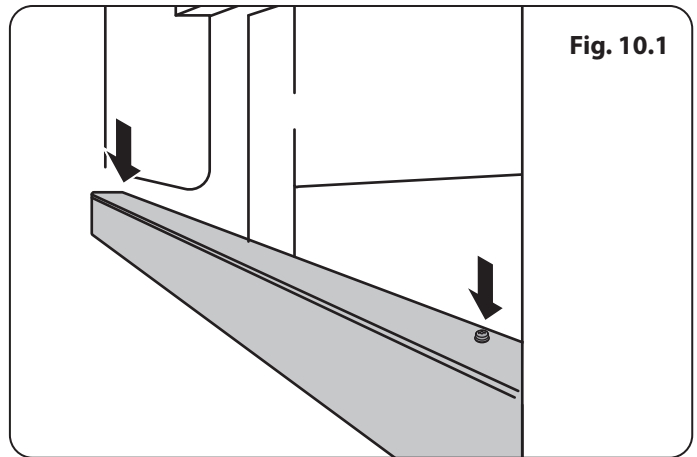
10. Removing the Side Panels

You will need the following equipment to remove the side panels:

1. Cross-head screwdriver
2. Flat head screwdriver
3. Allen keys (provided in pack).

Removing the Bottom Panel *(Plinth)*

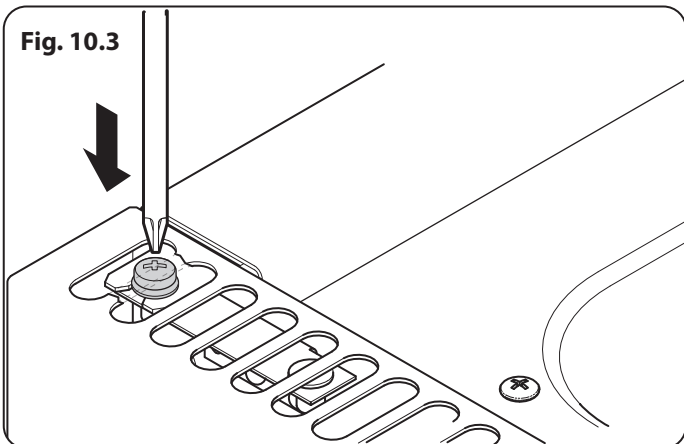
1. Open the left and right-hand oven door
2. Unscrew the two allen head screws (**Fig. 10.1**), lift the bottom panel up and slightly rotate the panel away from the pins (**Fig. 10.2**).



INSTALLATION

Check the appliance is electrically safe when you have finished.

Fig. 10.3



Removing the Side Panels

1. Loosen one screw in the vent (**Fig. 10.3**).
2. Push forward the side panel so that it moves away from the flue vent and the retaining washer (**Fig. 10.4**).
3. Inside the top of the side panel top are two tabs. Move the side panel up and away from the cooker (**Fig. 10.5**).
4. **Note:** If a side panel is loose, fit one of the extra gaskets to the inner face of the front bracket locating tabs (**Fig. 10.5**) and refit.

Fig. 10.4

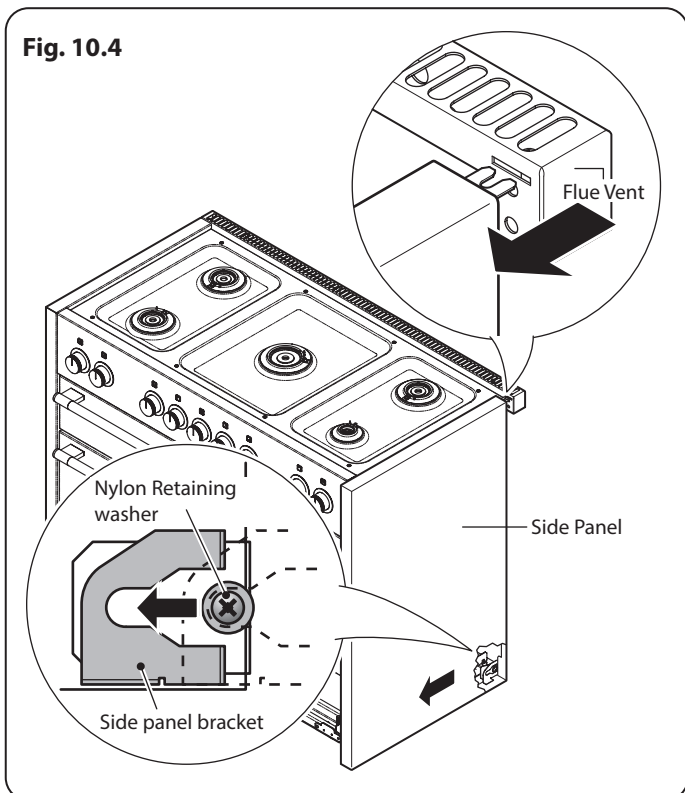
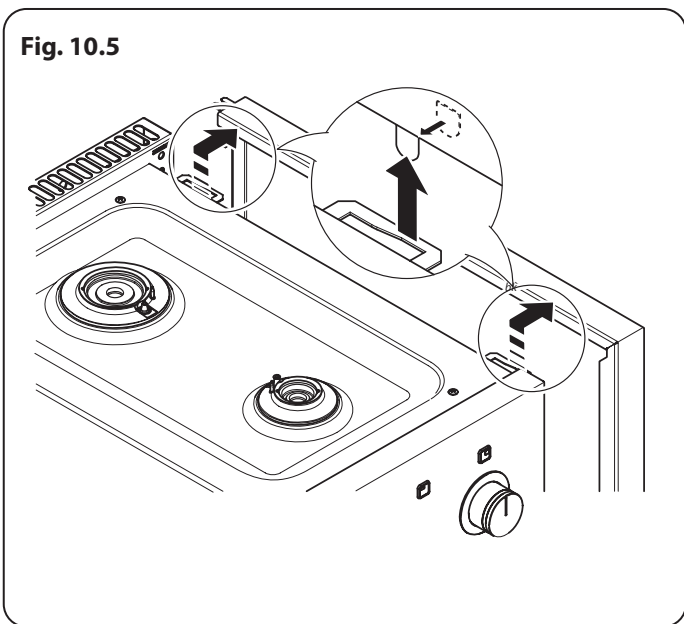


Fig. 10.5



WARNING – SERVICING TO BE CARRIED OUT ONLY BY AN AUTHORISED PERSON
 Disconnect from electricity and gas before servicing. Check appliance is safe when you have finished.

11. Conversion to LP Gas

Fig. 11.1

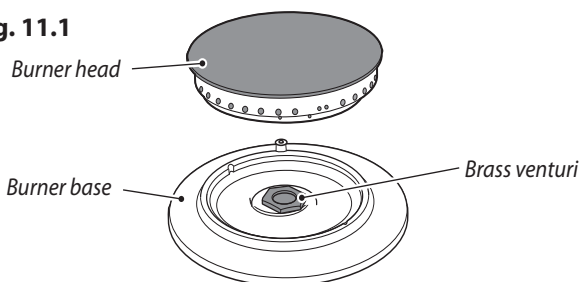


Fig. 11.2

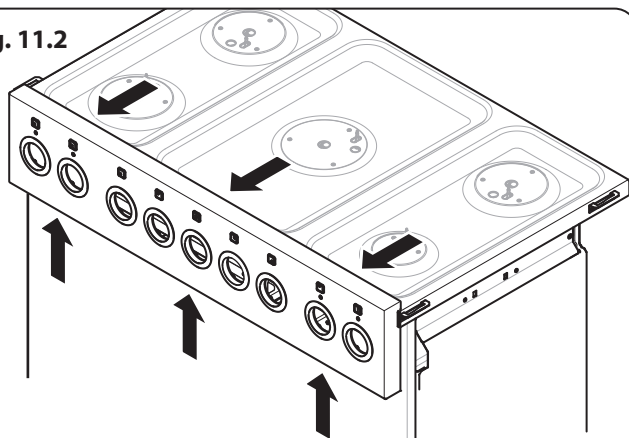
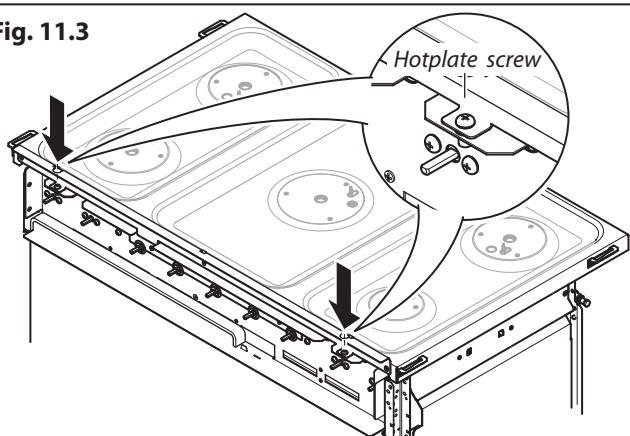


Fig. 11.3



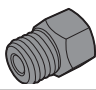
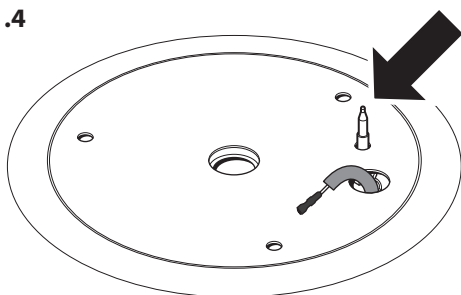
	Natural Gas	Propane Gas
Centre burner	165	107
Large burners	120	82
Right front burner	95	64

Table 11.1

Fig. 11.4



Check the 'Technical Data' section at the back of the book that the hob is convertible to the gas you want to use.

A suitably competent person must perform the conversion. After conversion the installation must comply with the relevant regulations and also the local electricity supply company requirements. Read the instructions before converting this appliance.

- ⚠ Failure to convert the appliance correctly could invalidate any warranty or liability claims and lead to prosecution.**
- ⚠ When servicing or replacing gas-carrying components disconnect from the gas supply before starting operation. Check the appliance is gas sound after completion.**
- ⚠ DO NOT use reconditioned or unauthorised gas controls.**
- ⚠ Disconnect from the electricity supply before servicing. Before electrical reconnection, check that the appliance is electrically safe.**

Injectors

Remove the pan supports and burner heads. For each burner, remove the large brass venturi on the top of the burner base (Fig. 11.1). Remove the burner base, making sure to disconnect the ignition lead from the spark electrode.

Replacing the Jets

Either:

- Use a long box spanner to access and remove the old jets. Fit the new jets: see Table 11.1 for the correct type.

Or:

- Remove the control panel and hotplate (see below). Remove the jets.

Removing the Control Panel and Hotplate

Note: To allow the control panel removal make sure the side panels are removed.

Remove the control knobs. Undo the screws holding the control panel in position (Fig. 11.2). Pull the control panel forwards, taking care not to damage it (by protecting it with cloth, for example) rest it on the open grill door and oven door. Carefully remove the 4 neon connections. Now remove the control panel.

Remove the 2 screws holding the hotplate in position (Fig. 11.3). Slide the hotplate forwards and remove.

Remove the old jets. Save the jets removed from the appliance for possible future use. Fit the new jets: see Table 11.1 for the correct type.

Refit the hotplate, making sure to feed the ignition leads back through the hotplate.

WARNING – SERVICING TO BE CARRIED OUT ONLY BY AN AUTHORISED PERSON
 Disconnect from electricity and gas before servicing. Check appliance is safe when you have finished.

Note: When refitting the hotplate, take care not to damage or displace the flame safety probes (**Fig. 11.4**).

Refit each of the burner bases; make sure to reconnect the ignition leads and slide the insulating sleeves in place. Refit the brass venturis.

Tap Adjustment

It may be possible to adjust the bypass screw by simply removing the control knobs (**Fig. 11.5**). If however you are unable to access the bypass screw using a suitable screwdriver, you will need to remove the control panel, please refer to section 'Removing the Control Panel'.

Remove the service panel above the control taps.

Turn the bypass screw on each control clockwise to the stop (**Fig. 11.6**).

Repeat for all burner control taps.

Refit the service panel and then refit the control panel.

Reassembling to Liquid Propane Gas

Centre Burner

IMPORTANT: If you are converting to LP Gas the large ring in the conversion kit **MUST** be fitted to the centre burner.

Fit the large ring (if required). Screw in the hexagon headed venturi but to make fitting the outer burners easier do not fully tighten yet (**Fig. 11.7**).

Outer Burners

Screw in the hexagon headed venturis (**Fig. 11.8**) but to make fitting the other burners easier do not fully tighten yet.

Reassemble all the burners with the venturi tubes and evenly tighten.

Refit the burner heads, making sure they are reassembled in the correct way on the burner bodies (**Fig. 11.9**).

Refit the pan supports.

Stick on Label

Stick the appropriate label on to the data badge to indicate the gas the appliance is now set for.

Pressure Testing

The gas pressure can be measured at the pressure test point on the gas connection block.

Connect the pressure gauge. Turn on and light one of the hotplate burners.

See the data badge for test pressures.

Turn off the burners and remove the pressure gauge.

⚠ Check the appliance is gas sound.

⚠ Check the operation of all the burners.

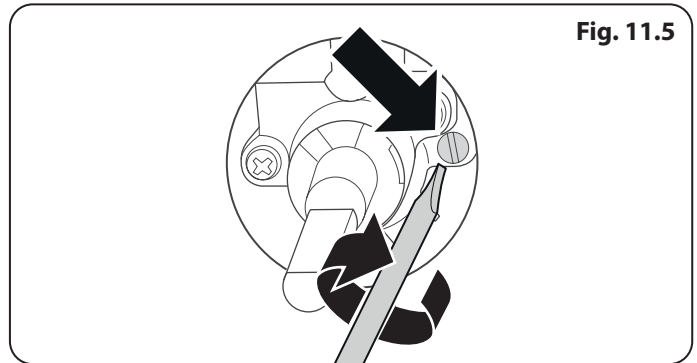


Fig. 11.5

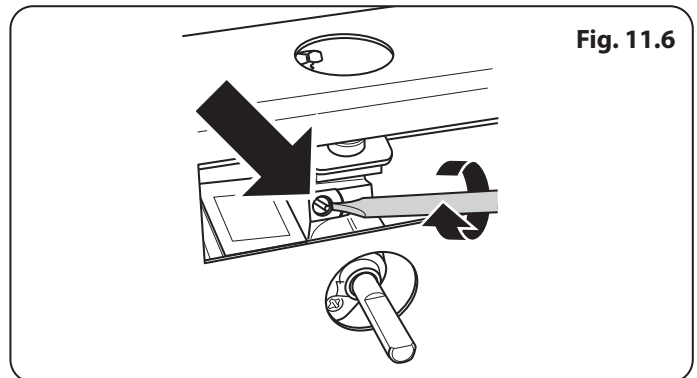


Fig. 11.6

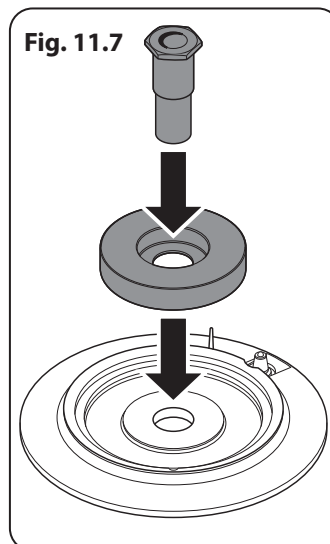


Fig. 11.7

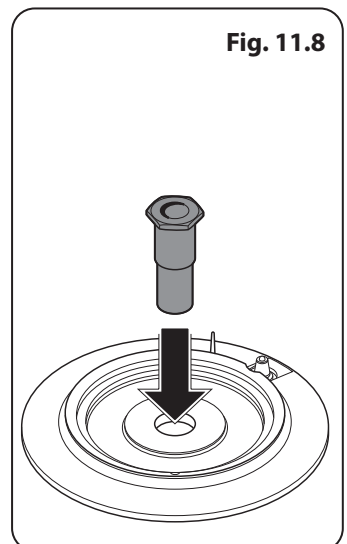


Fig. 11.8

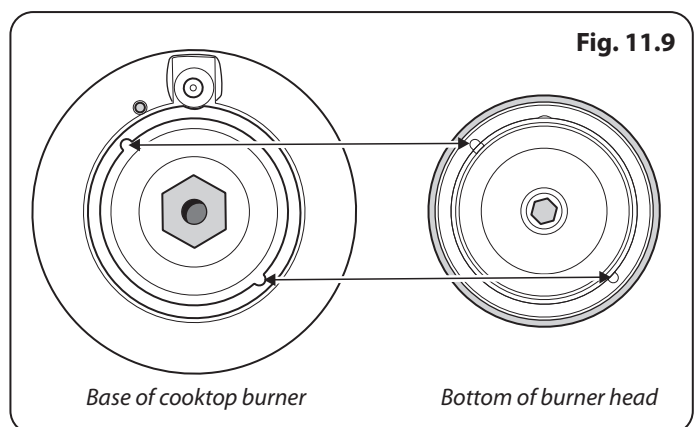


Fig. 11.9

INSTALLATION

Check the appliance is electrically safe and gas sound when you have finished.

12. Gas Connection

This must be in accordance with the relevant standards.

The flexible hose (not supplied with the cooker) must be in accordance with the relevant standards. Hoses may be purchased at most builders' merchants.

The connector is located just below the hotplate level at the rear of the cooker. If in doubt contact your supplier.

The rear cover boxes limit the position of the supply point.

Because the height of the cooker can be adjusted and each connection is different, it is difficult to give precise dimensions.

Although a 900 mm hose can be used, a 1250 mm hose will allow slightly more flexibility in the positioning of the bayonet and make moving the cooker easier.

The hose should be fitted so that both inlet and outlet connections are vertical so that the hose hangs downwards in a 'U' shape.

Ideally the hose supply connection should be within the shaded area 'A' (Fig. 12.2).

For Natural Gas, the flexible hose must be in accordance with BS 669. For LP Gas, it should be capable of 50 mbar pressure, 70°C temperature rise, and carry a red stripe, band or label. If in doubt contact your supplier.

Screw connect the threaded end of the hose into the gas inlet.

After completing the gas connection, make sure that the cooker is gas sound with a pressure test.

Pressure Testing

The gas pressure can be measured at one of the hotplate burner injectors (not a wok burner).

Lift off a burner head. Fit the pressure gauge to the injector. Turn on and light one of the other hotplate burners.

Turn on the control knob for the burner with the pressure gauge fitted to let gas through.

See the data badge for test pressures.

Turn off the burners. Make sure that you reassemble the burner top in the correct way on the burner body.

Fig. 12.1

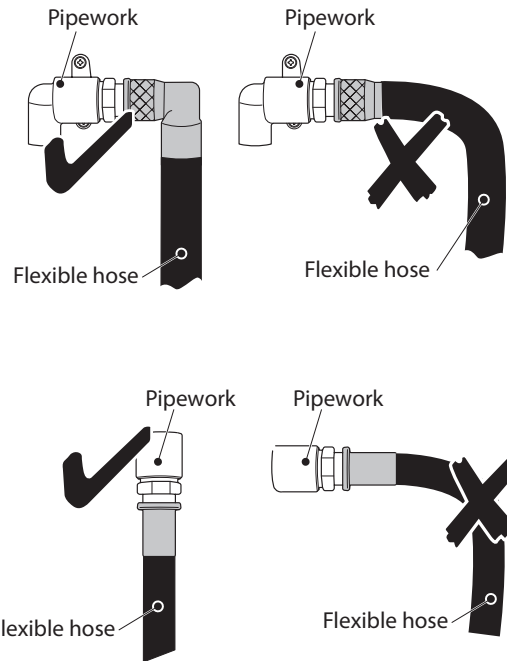
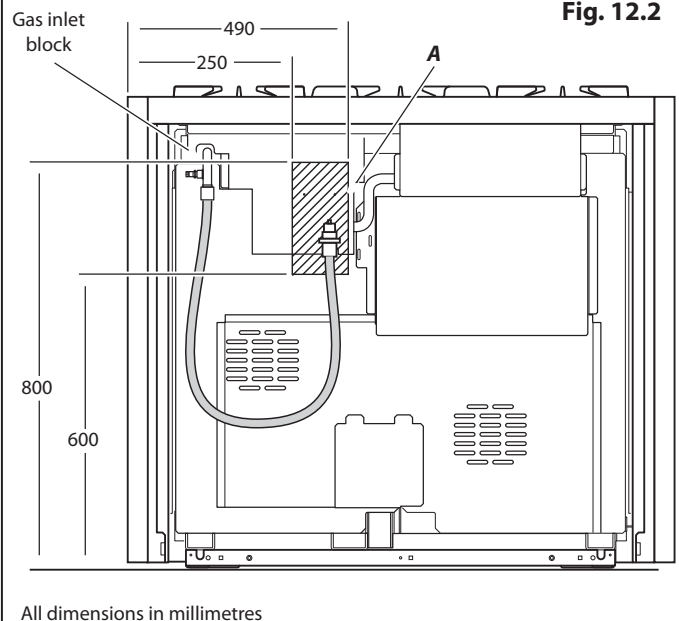


Fig. 12.2



INSTALLATION

Check the appliance is electrically safe and gas sound when you have finished.

11. Electrical connection

The cooker must be installed by a qualified electrician, in accordance with all relevant British Standards/Codes of Practice (in particular BS 7671), or with the relevant national and local regulations.

⚠ WARNING: THE APPLIANCE MUST BE EARTHED.

Note: The cooker must be connected to the correct electrical supply as stated on the voltage label on the cooker, through a suitable cooker control unit incorporating a double-pole switch, having a contact separation of at least 3 mm in all poles.

⚠ The cooker MUST NOT be connected to an ordinary domestic power point.

Access to the mains terminal is gained by removing the electrical terminal cover box on the back panel. Connect the mains cable to the correct terminals for your electrical supply type (**Fig. 11.1** and **Fig. 11.2**). Check that the links are correctly fitted and that the terminal screws are tight.

Secure the mains cable using the cable clamp.

Repositioning the cooker following connection

If you need to move the cooker once it has been connected then you need to unplug it and, having gripped under the fascia panel and lifted the front of the cooker slightly (**Fig. 11.3**), you need to check behind the cooker to make sure that the electricity cable is not caught.

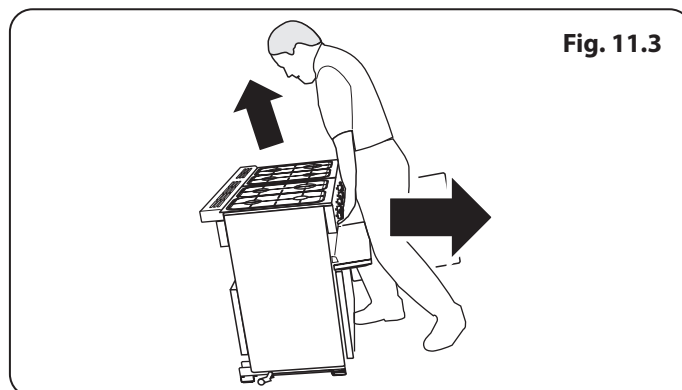
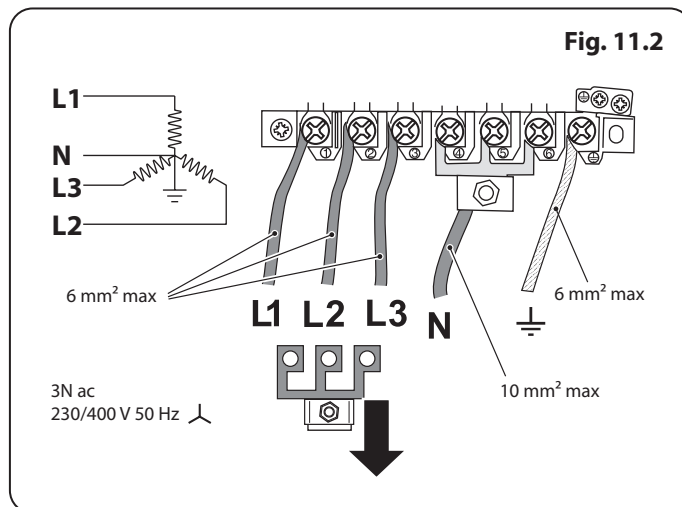
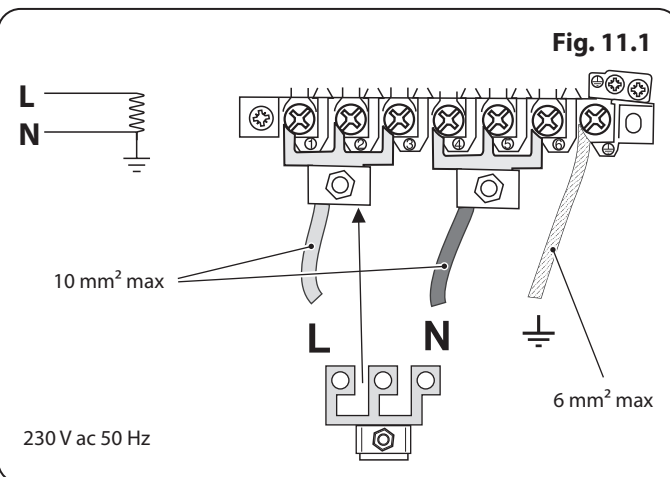
As you progress, make sure that the electricity cable always has sufficient slack to allow the cooker to move.

When you replace the cooker, again check behind to make sure that the electricity cable is not caught or trapped.

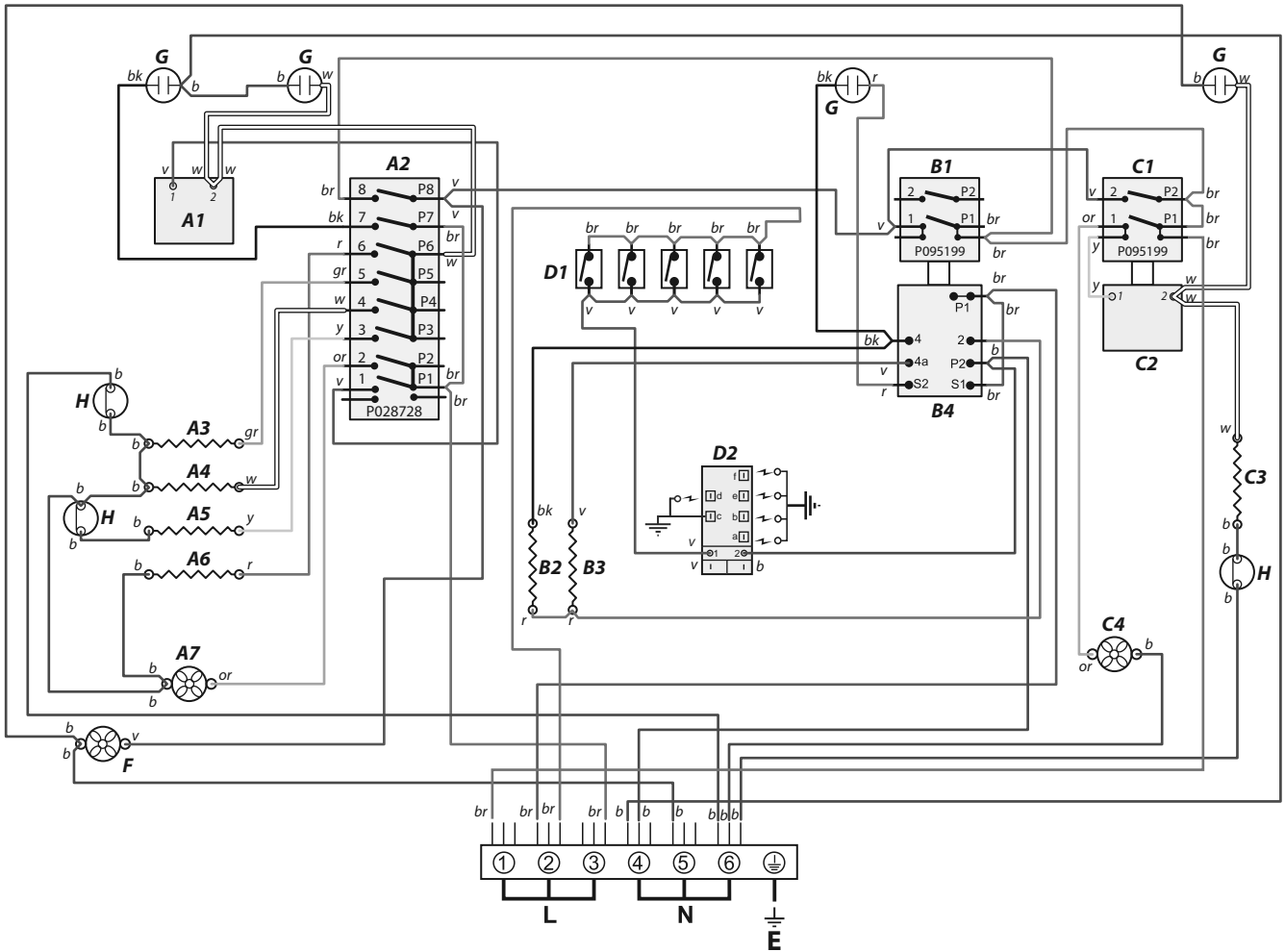
Current Operated Earth Leakage Breakers

The combined use of your cooker and other domestic appliances may cause nuisance tripping, so we recommend that the cooker is protected on an individual RCD (Residual Current Device) or RCBO (Residual Current Breaker with Overload).

IF IN DOUBT, PLEASE CONSULT A SUITABLY QUALIFIED ELECTRICIAN.



13. Circuit Diagram



Key

The connections shown in the circuit diagram are for single-phase. The ratings are for 230V 50Hz.

Code	Description
A1	Left-hand multi-function oven control
A2	Left-hand multi-function oven control switch
A3	Left-hand multi-function oven top element (outer pair)
A4	Left-hand multi-function oven browning element (inner pair)
A5	Left-hand multi-function oven fan element
A6	Left-hand multi-function oven base element
A7	Left-hand multi-function oven fan
B1	Grill control
B2	Left-hand grill element
B3	Right-hand grill element

Code	Description
C1	Right-hand fan oven control
C2	Right-hand fan oven thermostat
C3	Right-hand fan oven element
C4	Right-hand oven fan
D1	Ignition switches
D2	Ignition generator
F	Cooling fan
G	Neon
H	Thermal cut-out

Code	Colour
b	Blue
br	Brown
bk	Black
or	Orange
r	Red
v	Violet
w	White
y	Yellow
g/y	Green/yellow
gr	Grey

15. Technical Data

THE COOKER IS CATEGORY: Cat I_{2H3+}. It is supplied set for group H natural gas. A conversion kit from NG to LP is available for the cooker. **INSTALLER:** Please leave these instructions with the user. **DATA BADGE LOCATION:** Cooker back, serial number repeater badge below oven door opening. **COUNTRY OF DESTINATION:** GB, IE.

Connections

Gas (Rp ½ at rear right-hand side)		Electric
Natural Gas	20 mbar	230/400V 50 Hz
Butane	29 mbar	
Propane	37 mbar	

See the appliance badge for test pressures.

Dimensions

Model	Mercury 1000 Dual Fuel	
Overall height	minimum 920 mm	maximum 945 mm
Overall width	990 mm	
Overall depth	638 mm excluding handles, 700 mm including handles	
Minimum height above the hotplate	800mm	

Hotplate Ratings

Hotplate	Bypass Screw*	Natural Gas 20 mb		L.P. Gas	
			Injector		Injector
Large Burner	57	5.0 kW	165	5.0 kW (364g/h)	107
Medium Burner	40	3.0 kW	120	3.0 kW (218g/h)	82
Semi Rapide / Small Burner	32	1.70 kW	95	1.70 kW (124g/h)	64

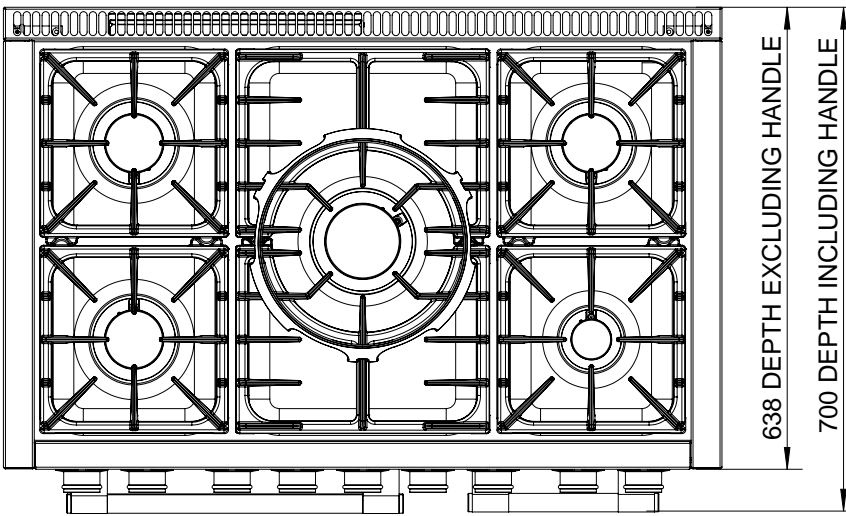
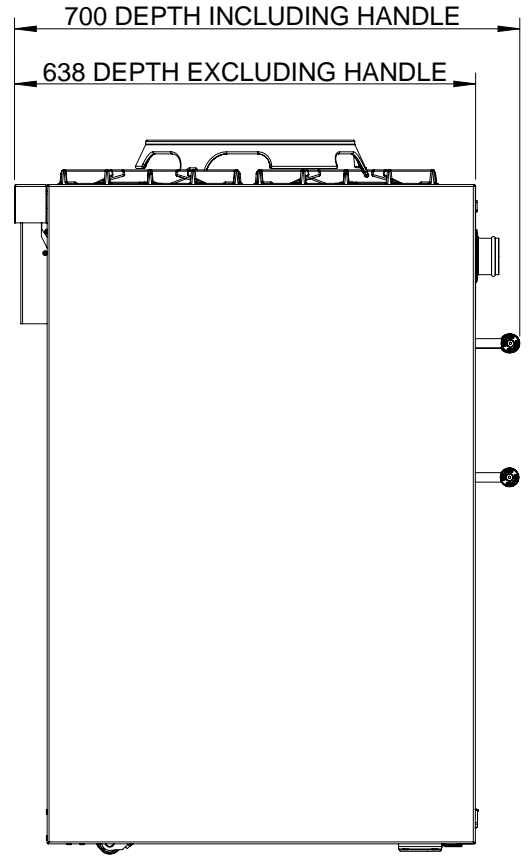
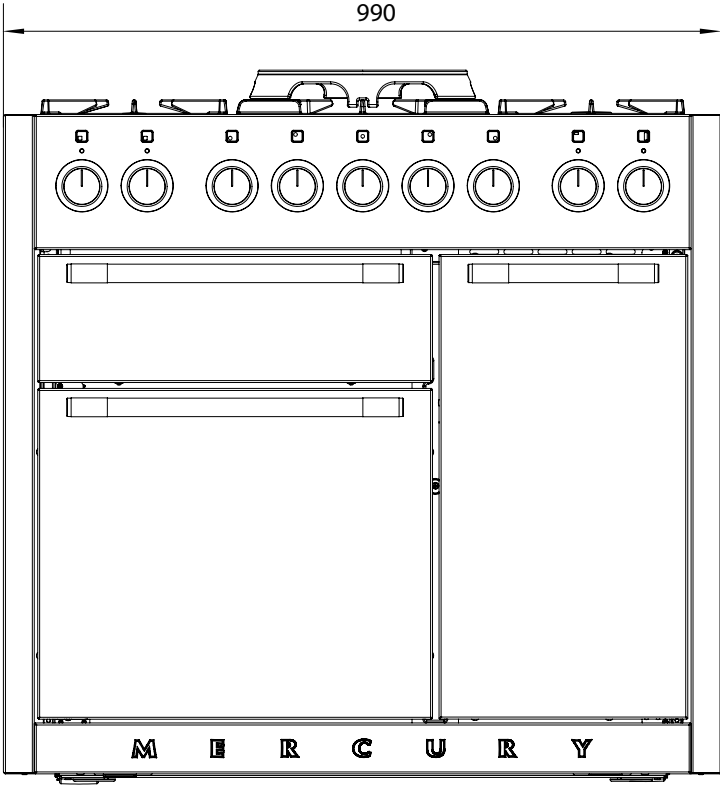
* The valves in this cooker are fitted with adjustable bypass screws. The cooker is supplied with the bypass screws set for Natural Gas. For LPG conversion the bypass screws must be screwed all the way down.

Hotplate energy saving tips

- Use cookware with a flat base.
- Use the correct size cookware.
- Use cookware with a lid.
- Minimise the amount of liquid or fat.
- When liquid starts boiling, reduce the setting.
- Consumption is based on G30.

Oven energy saving tips

- Cook meals together, if possible.
- Keep the pre-heating time short.
- Do not lengthen cooking time.
- Do not open the oven door during the cooking period.
- Do not forget to turn the appliance off at the end of cooking.



Hotplate Efficiency Data

Brand	Mercury
Model Identification	1000 DF
Size	1000
Type	Dual Fuel

Type of Hob	GAS
Number of gas burners	5
Auxiliary / Small Burner (EE gas burner)	-
Semi Rapide / Medium Burner (EE gas burner)	60.8%
Semi Rapide / Medium Burner (EE gas burner)	-
Rapide / Large Burner (EE gas burner)	58.5%
Rapide / Large Burner (EE gas burner)	58.5%
Rapide / Large Burner (EE gas burner)	58.5%
Ultra Rapide / large burner EEGas Burner (%)	55.4%
Wok (EE gas burner)	-
Wok (EE gas burner)	-
Hotplate EE gas hob (*)	58.3%

Information marked thus (*) is not required with mixed fuel hobs

Oven Data

Brand		Mercury
Model identification		1000 DF
Type of oven		Electric
Mass	kg	142
Number of cavities		2
Left-hand Efficiency		
Fuel type		Electric
Cavity type		Multifunction
Power - conventional		2.2
Power - forced air convection		2.5
Volume	Litres	79
Energy consumption (electricity) - conventional	kWh / cycle	0.96
Energy consumption (electricity) - forced air convection	kWh / cycle	0.84
Energy efficiency index - conventional		109
Energy efficiency index - forced air convection		94.9
Energy class		A
Right-hand Efficiency		
Fuel type		Electric
Cavity type		Fanned
Power - conventional		-
Power - forced air convection		2.5
Volume	Litres	67
Energy consumption (electricity) - conventional	kWh / cycle	-
Energy consumption (electricity) - forced air convection	kWh / cycle	0.79
Energy efficiency index - conventional		-
Energy efficiency index - forced air convection		95.6
Energy class		A

Additional Information		
The oven complies with EN 60350-1		
Maximum output @ 230V 50Hz		
Conventional		2.2 kW
Multifunction		2.5 kW
Multifunction (with Rapid Response)		-
Forced Air Convection		2.5 kW
Grill		2.3 kW
Slow Oven		-
Bread Proving Drawer		-

Maximum total electrical load at 230 V (approximate total including hob, oven lights, oven fan, etc.):	7.36 kW
---	---------

NOTE

MERCURY

Clarence Street, Royal Leamington Spa,
Warwickshire, CV31 2AD, England.

Tel: +44 (0) 1926 457628

E-mail: consumer@mercuryappliances.co.uk