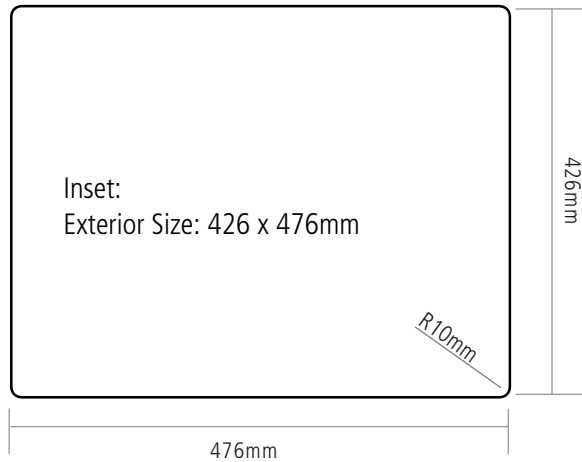


# MODE045 CO, GM, GD & BS INSTALLATION GUIDE

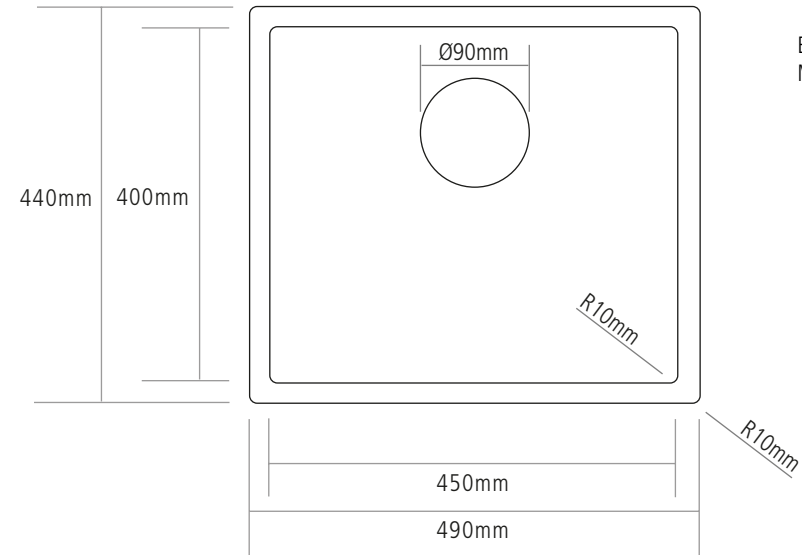
## INSET INSTALLATION



## UNDERMOUNT INSTALLATION

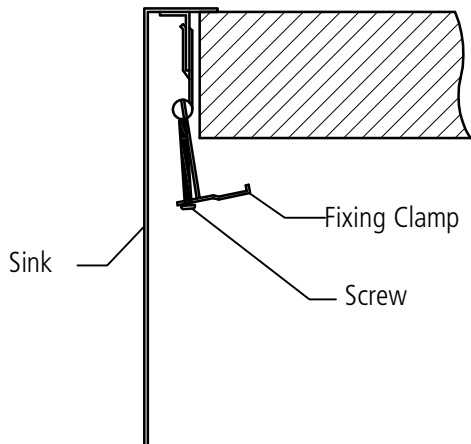
Use sink to measure cut-out dimensions. These will vary depending on your chosen installation type.

## DIMENSIONS

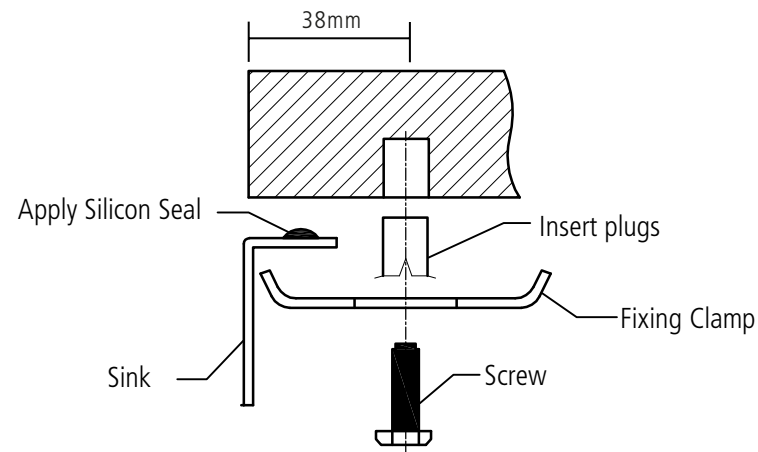


Bowl depth: 200mm  
Min. base unit: 500mm

## INSET FIXING CLIPS



## UNDERMOUNT FIXING CLIPS



NOTE: Please check the recommended sizes against the actual sink to achieve the most accurate cut out