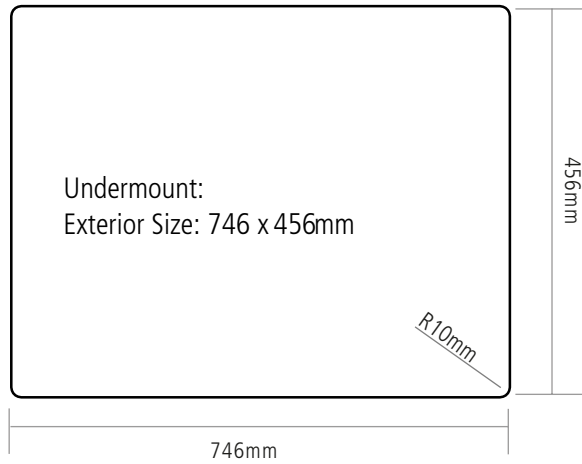


# MODE175 & MODE175/GD INSTALLATION GUIDE



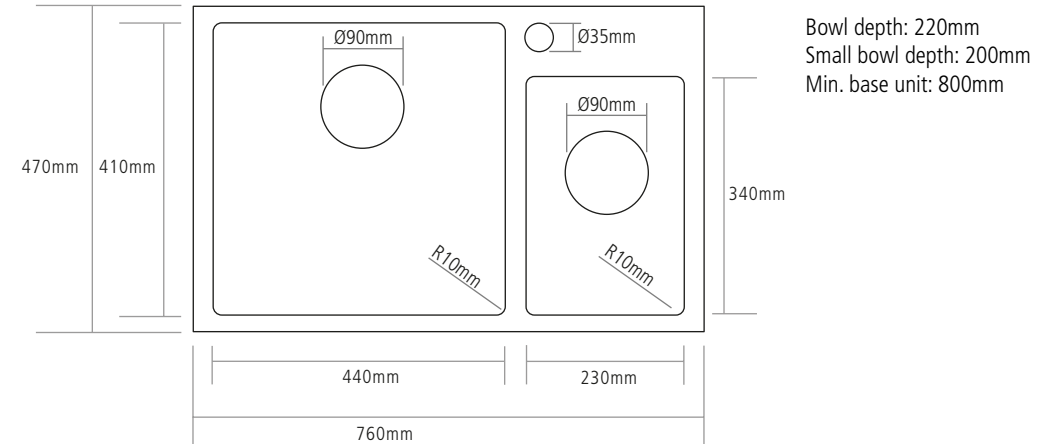
## INSET INSTALLATION



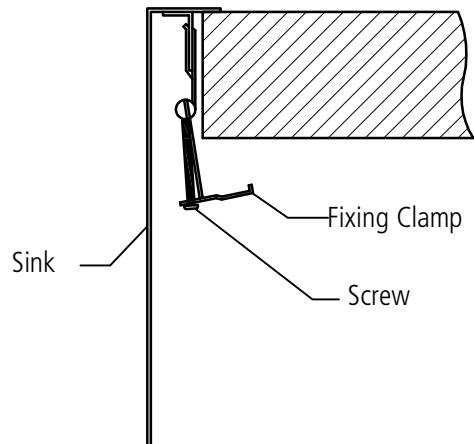
## UNDERMOUNT INSTALLATION

Use sink to measure cut-out dimensions.  
These will vary depending on your chosen  
installation type.

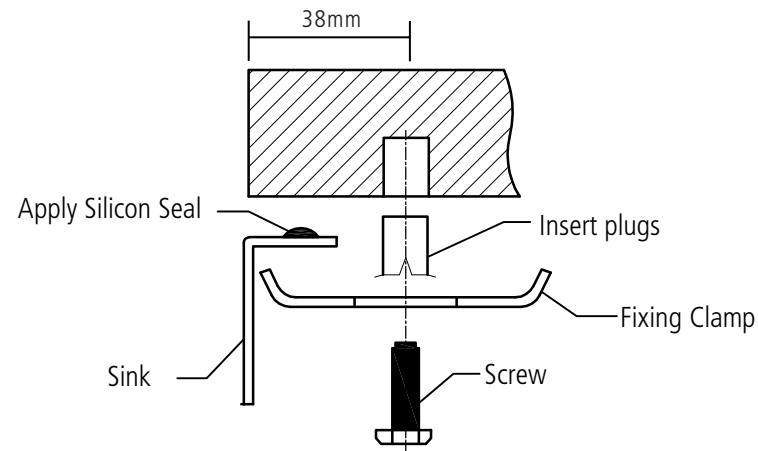
## DIMENSIONS



## INSET FIXING CLIPS



## UNDERMOUNT FIXING CLIPS



NOTE: Please check the recommended sizes against the actual sink to achieve the most accurate cut out