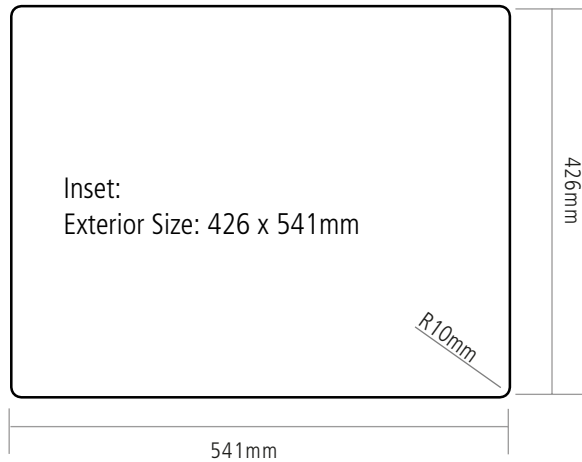


MODE3415R CO, GM, GD & BS INSTALLATION GUIDE



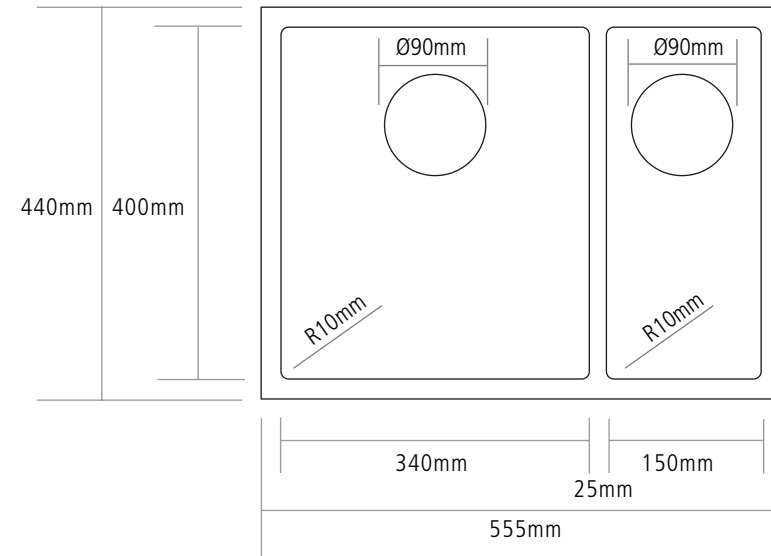
INSET INSTALLATION



UNDERMOUNT INSTALLATION

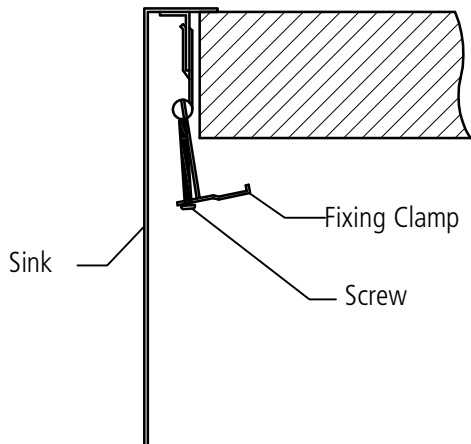
Use sink to measure cut-out dimensions.
These will vary depending on your chosen
installation type.

DIMENSIONS

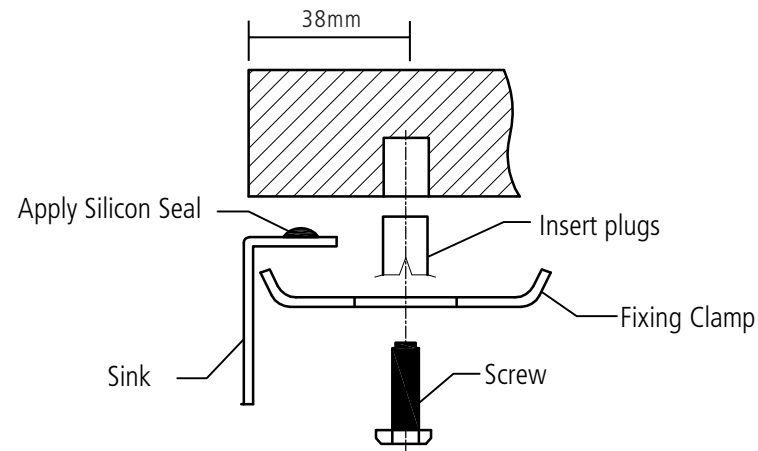


Bowl depth: 200mm
Small bowl depth: 135mm
Min. base unit: 600mm

INSET FIXING CLIPS



UNDERMOUNT FIXING CLIPS



NOTE: Please check the recommended sizes against the actual sink to achieve the most accurate cut out